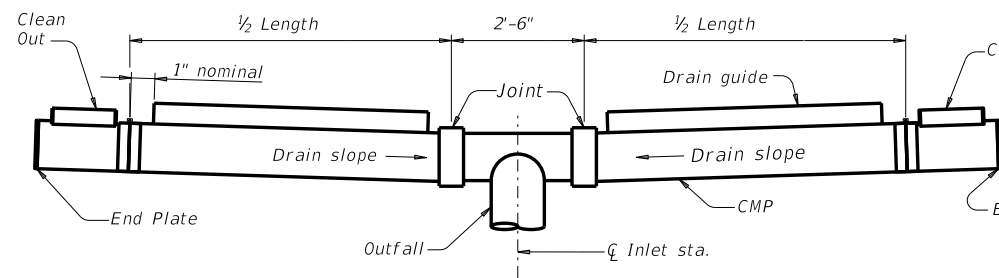
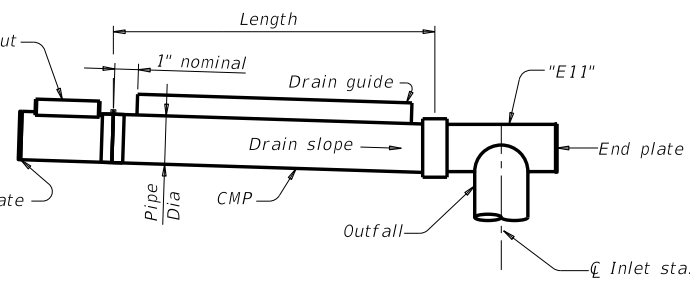


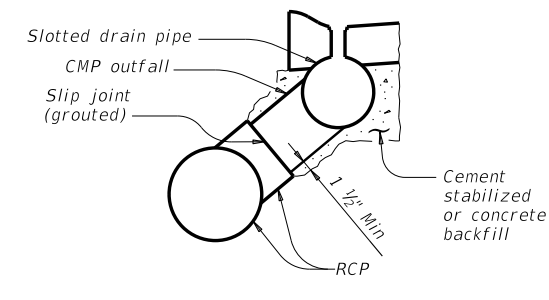
DISCLAIMER: The use of this standard is governed by the "Texas Engineering Practice Act". No warranty of any kind is made by TxDOT for any purpose whatsoever. TxDOT assumes no responsibility for the conversion of this standard to other formats or for incorrect results or damages resulting from its use.



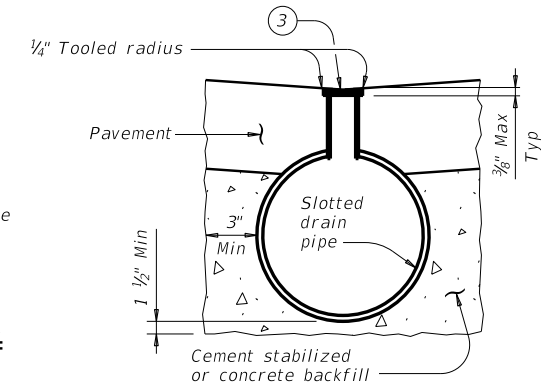
**TYPICAL TYPE "T" DRAIN INSTALLATION**



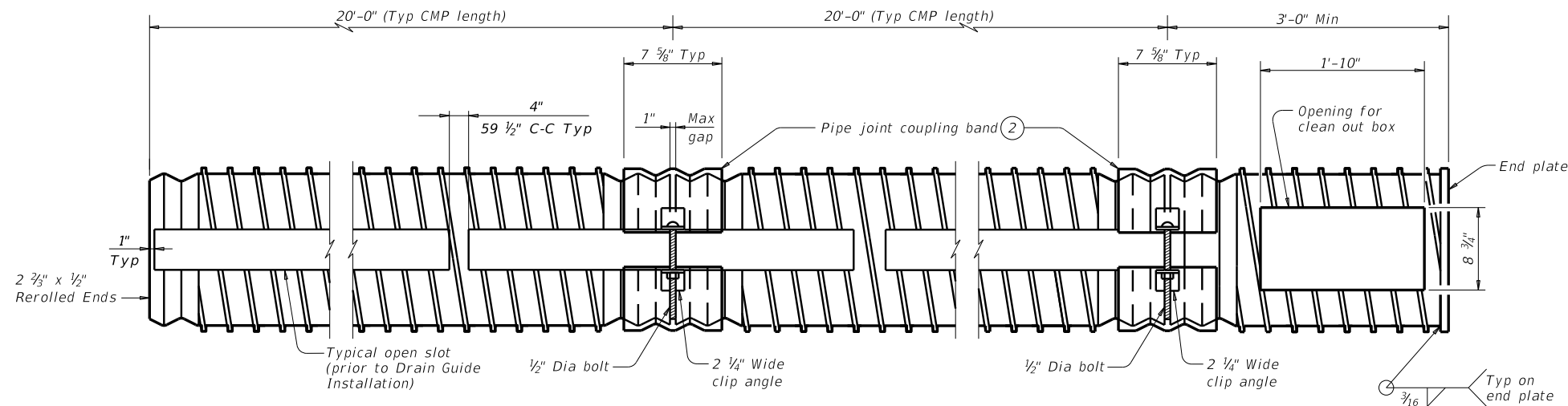
**TYPICAL TYPE "L" DRAIN INSTALLATION**



**BACKFILL DETAIL AT OUTFALL**



**TYPICAL BACKFILL DETAIL**



**SLOTTED CORRUGATED METAL PIPE (CMP) DETAIL ①**

Showing Type IR pipe

- ① Provide 16 gauge (Min) x 12" to 36" Dia Corrugated Metal Pipe (Type I ~ 2 3/8" x 1/2" corrugations or Type IR ~ 3/4" x 3/4" x 7 1/2" corrugations)
- ② Alternate methods of joining lengths of pipe, as recommended by the manufacturer, may be used with the approval of the Engineer.
- ③ Wood Strip (Nom 3/8" Max x 2 1/2"). Wood strip may be omitted if suitable protection is provided during pavement placement.
- ④ Install frame and grate flush with pavement and centered over clean out box.
- ⑤ See pavement details for slab thickness.

**FABRICATION NOTES:**

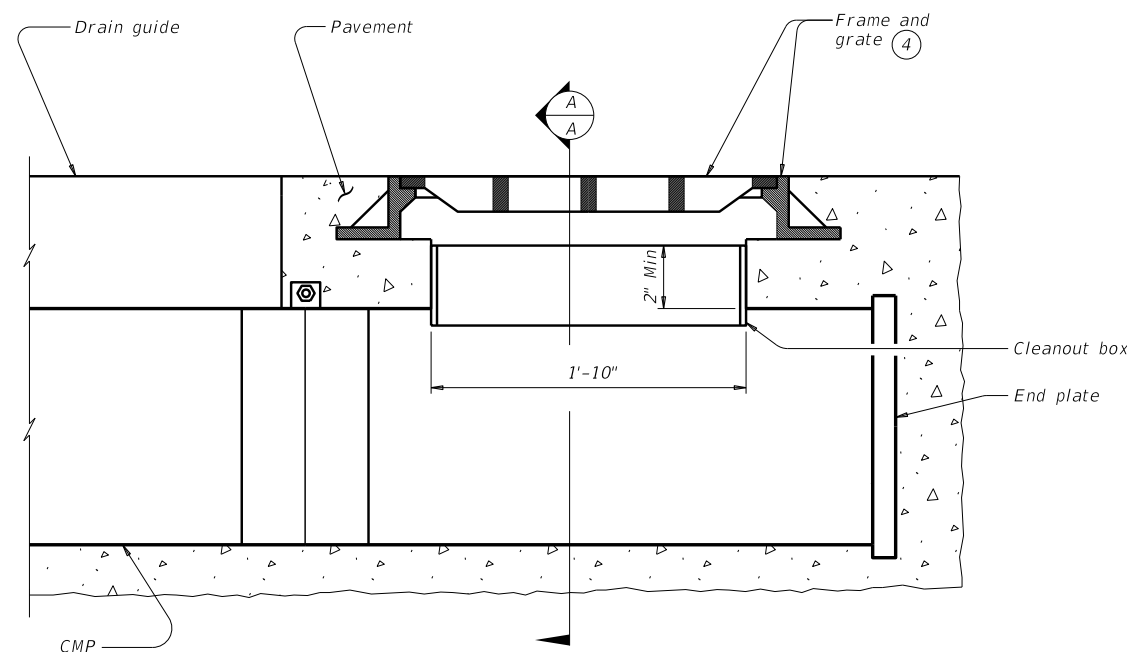
Provide circular corrugated steel pipe, galvanized or aluminized, in accordance with Item 460, "Corrugated Metal Pipe".  
 Provide drain guide assemblies conforming to Item 474, "Linear Drains".  
 Fabricate bearing bars, cross bar spacers, end plates, and clean out boxes from 3/16" plate, ASTM A36. Galvanize in accordance with Item 445, "Galvanizing".  
 Furnish slotted drain in 20'-0" lengths, when practical, to minimize number of joints.  
 Furnish pedestrian cap when specified in the plans.

**INSTALLATION NOTES:**

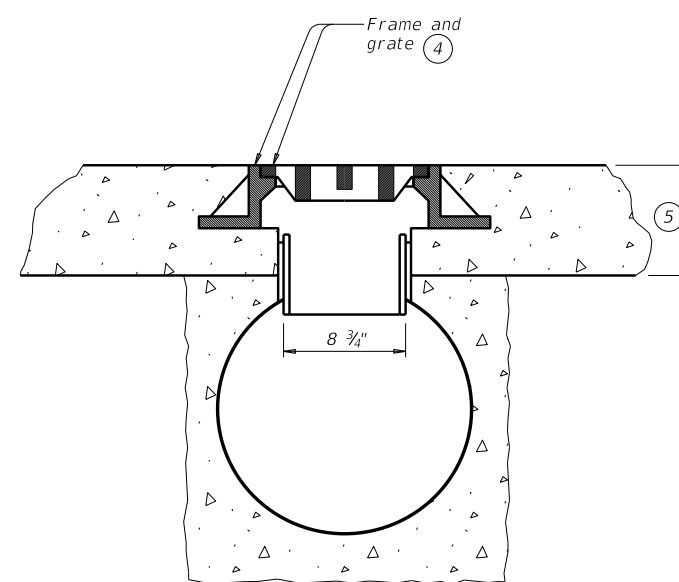
Backfill trenches for slotted drains and outfall pipe with low strength concrete (minimum 2 sacks per cubic yard) or cement stabilized backfill as shown or directed by the Engineer.  
 Place suitable compressible material in the outfall connection slip joint, to retain grout during curing.  
 Provide heavy duty frame and grate from one of the following, or approved equal (clear opening 22" x 8 3/4" Min, 25 1/2" x 12 Max).  
 Neenah R-3471  
 EJ V-4274  
 USF 4621 frame and 6296 grate

**GENERAL NOTES:**

Unless otherwise shown on the plans, the Contractor may furnish any of the designs as shown.  
 Frame and grate is subsidiary to Slotted Drain.



**CLEAN OUT BOX ELEVATION**



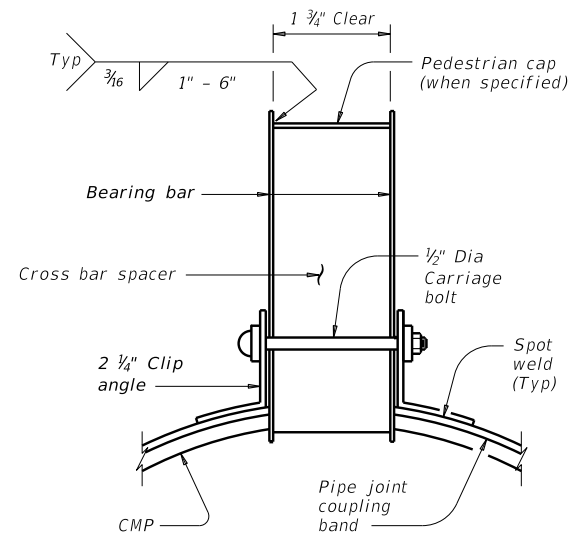
**SECTION A-A**

SHEET 1 OF 2

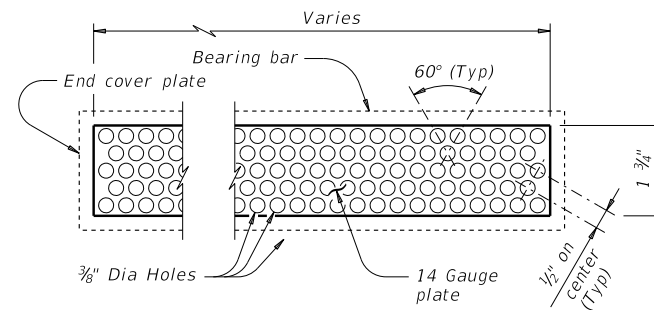
		<b>Bridge Division Standard</b>	
<b>ROADWAY LINEAR DRAIN (SLOTTED DRAIN)</b>			
<b>SD</b>			
FILE: sdstds01-20.dgn	DN: TxDOT	CK: TxDOT	DW: DKC
©TxDOT February 2020	CON:	SECT:	JOB:
REVISIONS:			HIGHWAY:
	DIST:	COUNTY:	SHEET NO.:

DATE: FILE:

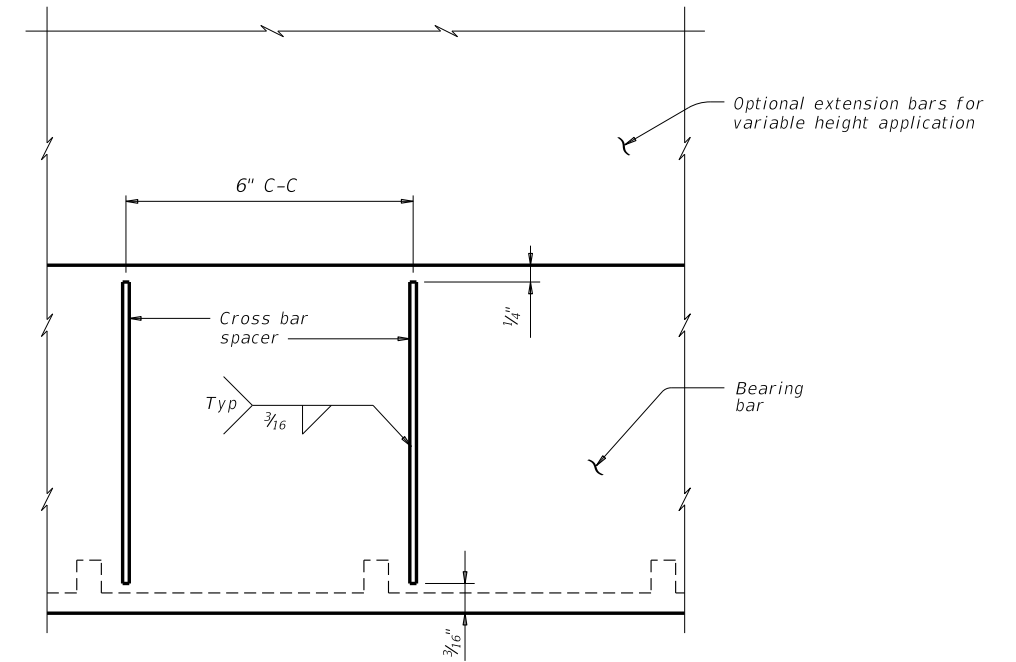
DISCLAIMER: The use of this standard is governed by the "Texas Engineering Practice Act". No warranty of any kind is made by TxDOT for any purpose whatsoever. TxDOT assumes no responsibility for the conversion of this standard to other formats or for incorrect results or damages resulting from its use.



**PIPE JOINT CONNECTION TRANSVERSE SECTION**

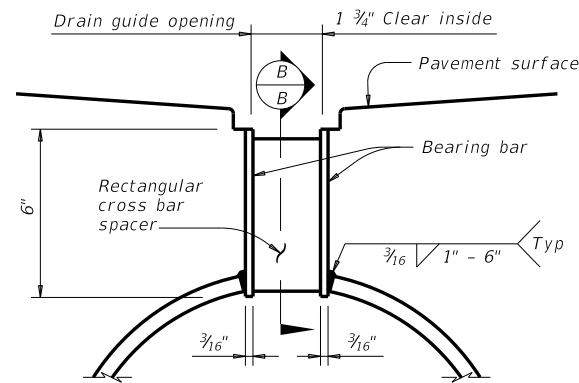


**PEDESTRIAN CAP DETAIL**

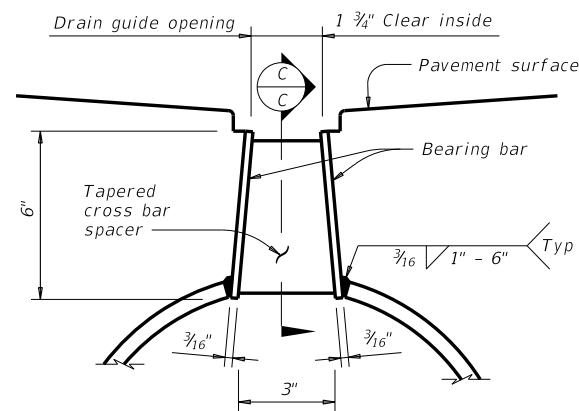


**SECTION B-B (WITH RECTANGULAR SPACERS)**

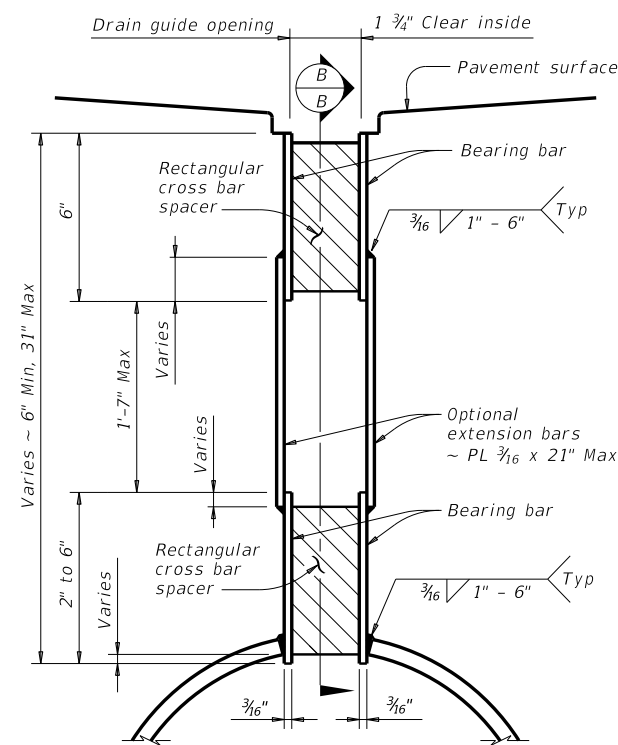
Showing installation of cross bar spacers in longitudinal section.



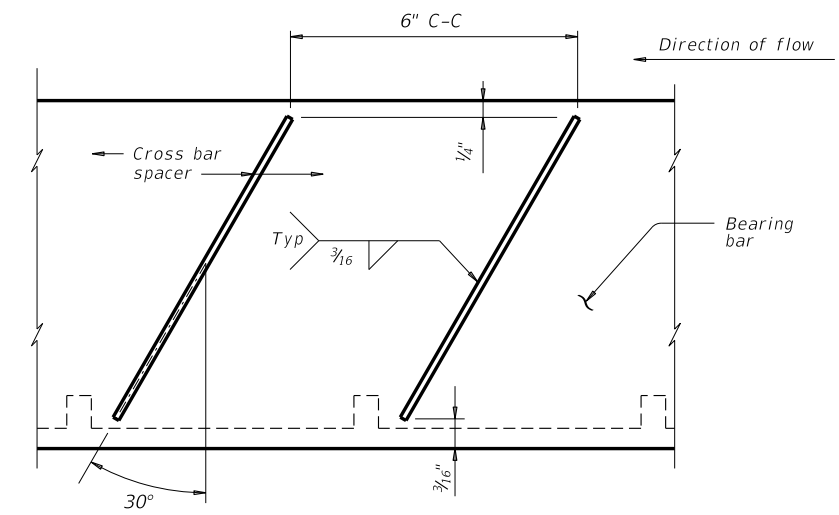
**STANDARD HEIGHT**  
Showing rectangular spacers.



**STANDARD HEIGHT**  
Showing tapered spacers.



**VARIABLE HEIGHT**  
Showing rectangular spacers and extension.



**SECTION C-C (WITH TAPERED SPACERS)**

Showing installation of cross bar spacers in longitudinal section.

**TYPICAL SECTIONS THRU DRAIN GUIDE INSTALLATION**

SHEET 2 OF 2



**ROADWAY LINEAR DRAIN (SLOTTED DRAIN)**

SD

FILE: sdstds01-20.dgn	DN: TxDOT	CK: TxDOT	DW: DKC	CK: AES
©TxDOT February 2020	CONT	SECT	JOB	HIGHWAY
REVISIONS				
	DIST	COUNTY	SHEET NO.	

DATE:  
FILE: