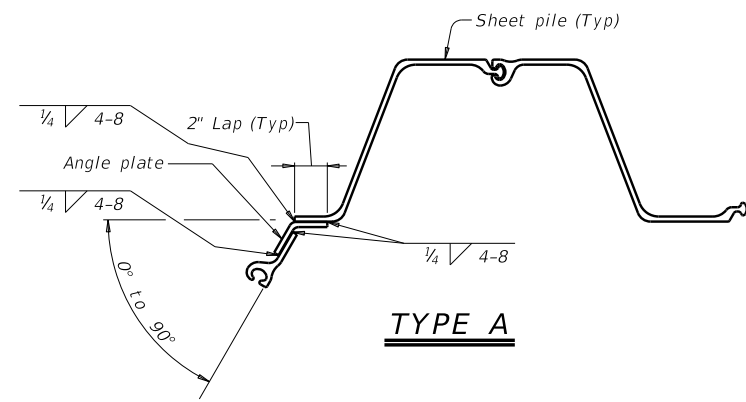
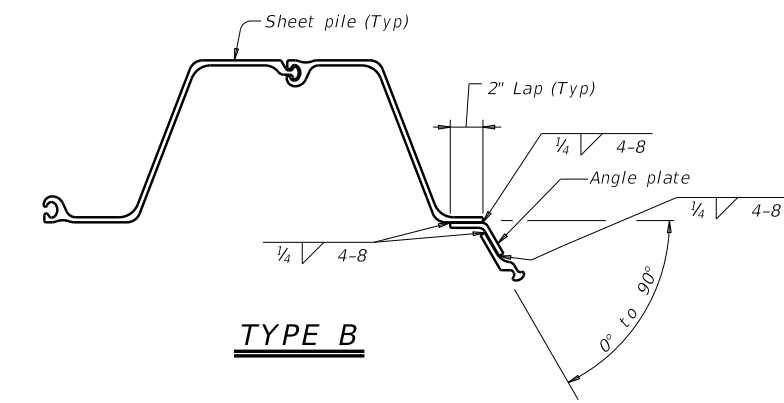


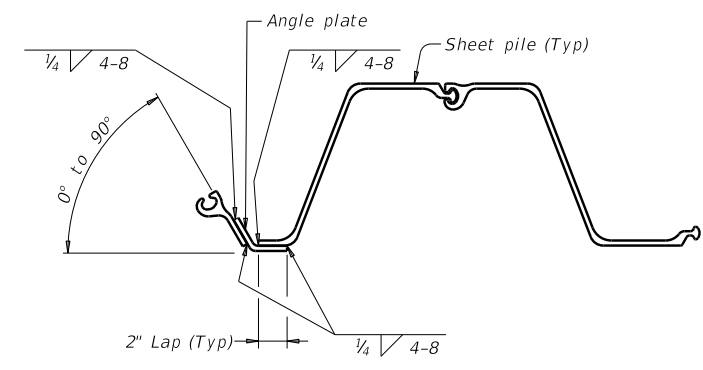
DISCLAIMER: The use of this standard is governed by the "Texas Engineering Practice Act". No warranty of any kind is made by TxDOT for any purpose whatsoever. TxDOT assumes no responsibility for the conversion of this standard to other formats or for incorrect results or damages resulting from its use.



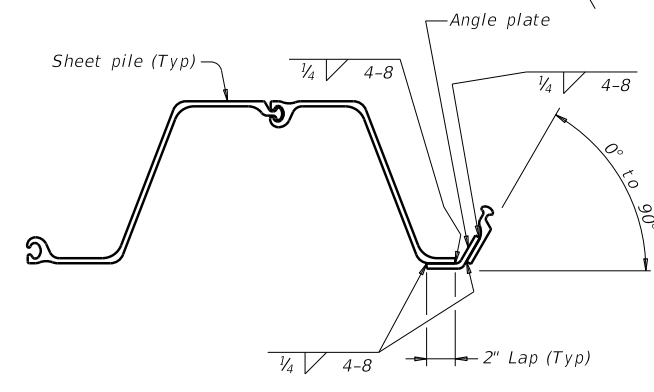
TYPE A



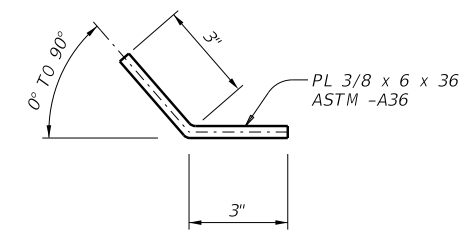
TYPE B



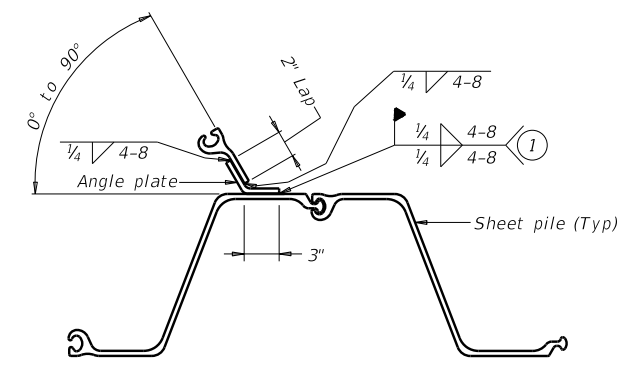
TYPE C



TYPE D



ANGLE PLATE DETAIL

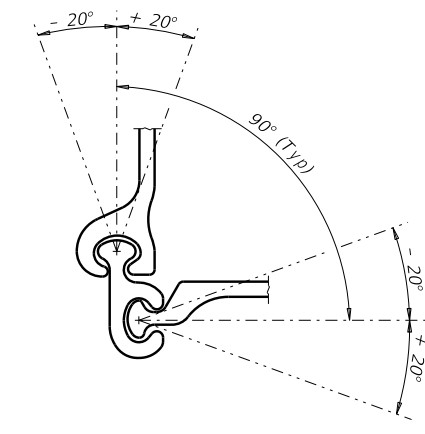


TYPE E

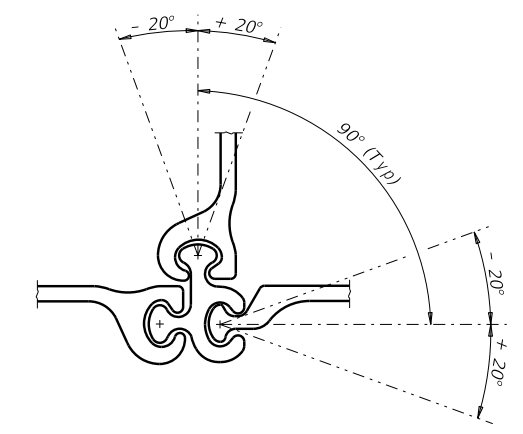
OPTION 1: PLATE WITH WELD

① Remove paint at weld locations. Clean welded seam in accordance with Section 446.4.7.3.2.2. Stripe coat seam with intermediate coat and appearance coat in accordance with Item 446, "Field Cleaning and Painting Steel."

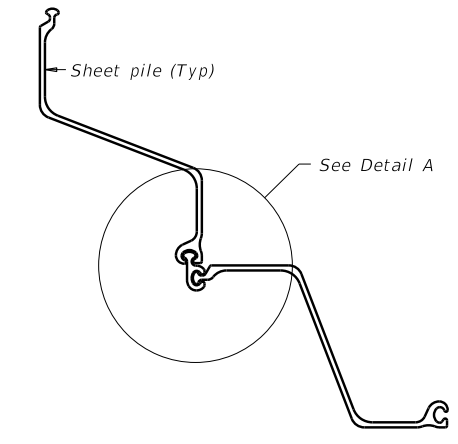
DATE:
FILE:



DETAIL A
(Shown PZ 90® by PilePro®)



DETAIL B
(Shown PZ Tee® by PilePro®)



OPTION 2: PREFABRICATED

GENERAL NOTES:
The Contractor may use a prefabricated connector as shown above. The connectors shown are PZ 90® and PZ Tee®, which are produced by PilePro® (www.pilepro.com). An equivalent connector may also be used. Install the connector using the Manufacturer's guidelines. In brief, these are:
1. Thread the connector to the pile while the sheet pile is out of the ground. The connector will extend the full length of the sheet pile.
2. Tack weld the connector in place.
3. Drive the sheet pile with connector using normal procedures. Provide sheet piling in accordance with Item 407, "Steel Piling".
Paint connector using same requirements for sheet piling, as shown elsewhere in the plans.

		Bridge Division Standard	
STEEL SHEET PILING CORNER DETAILS			
SSPC			
FILE: sspcstde-19.dgn	DN: TxDOT	CK: JGD	DW: AMS
©TxDOT April 2019	CONT	SECT	JOB
REVISIONS		HIGHWAY	
DIST		COUNTY	
		SHEET NO.	