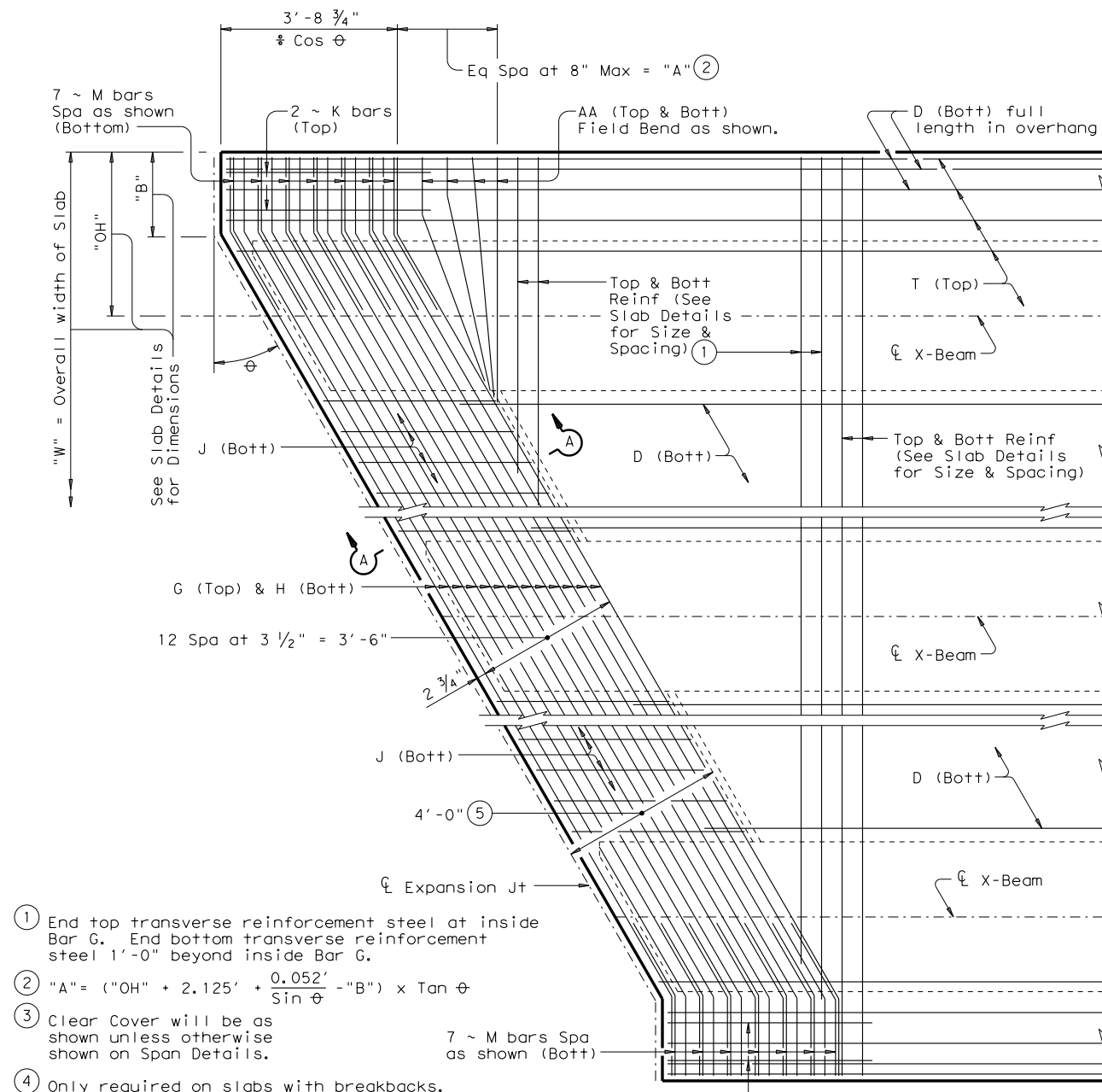
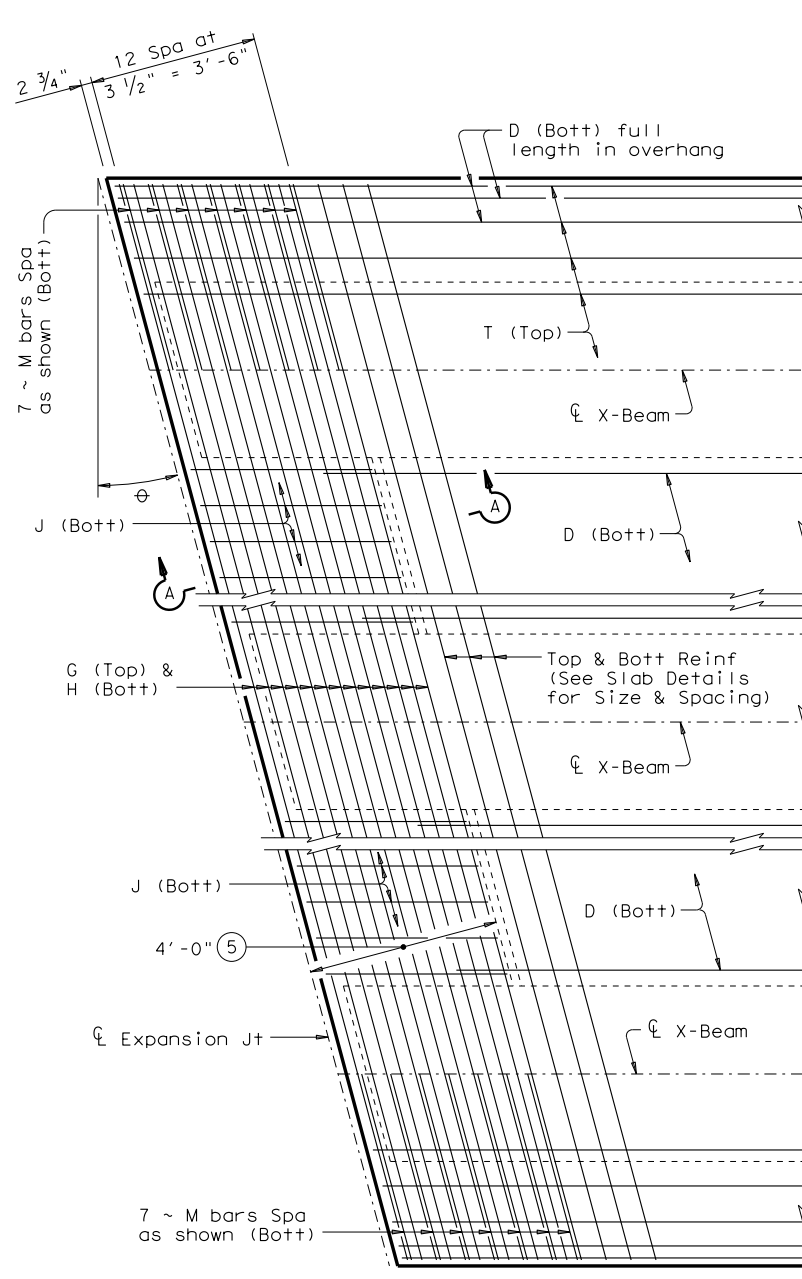


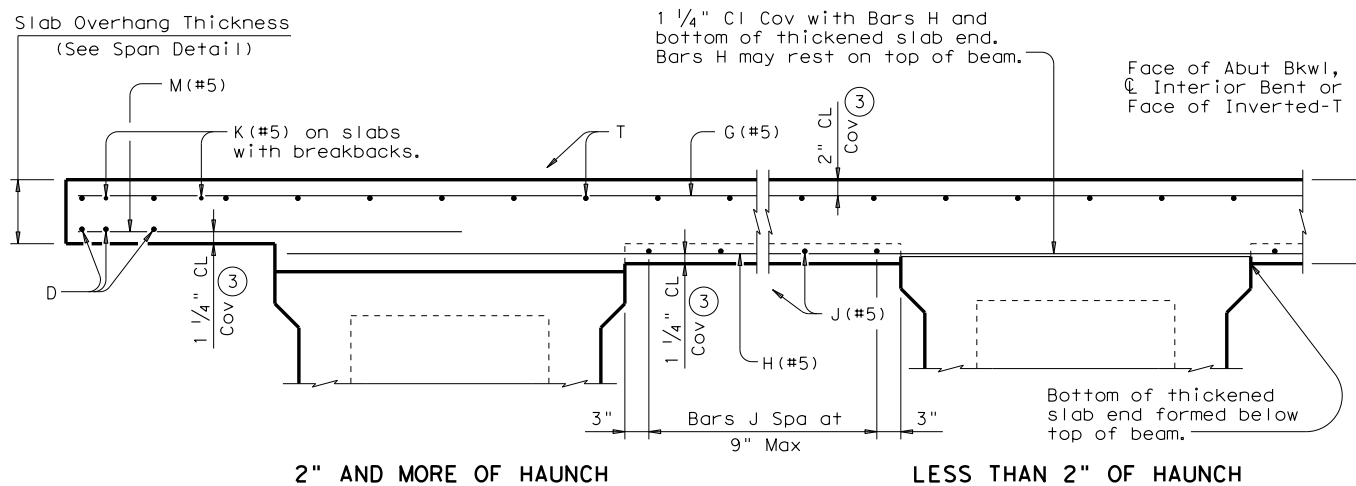
DISCLAIMER: The use of this standard is governed by the "Texas Engineering Practice Act". No warranty of any kind is made by TxDOT for any purpose whatsoever. TxDOT assumes no responsibility for the conversion of this standard to other formats or for incorrect results or damages resulting from its use.



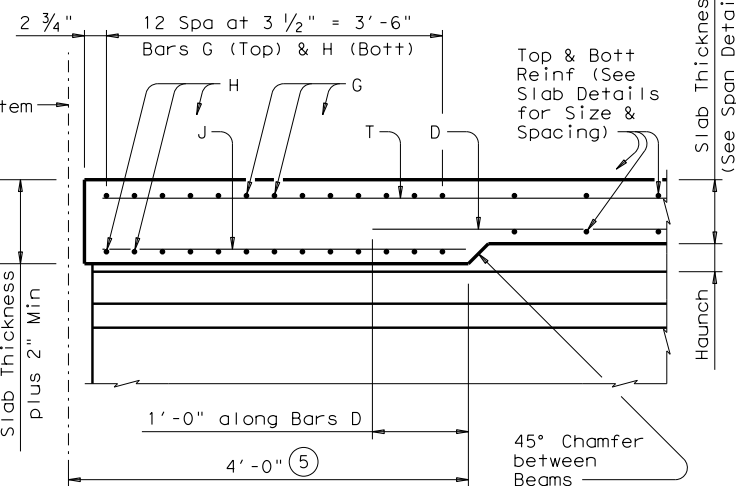
- ① End top transverse reinforcement steel at inside Bar G. End bottom transverse reinforcement steel 1'-0" beyond inside Bar G.
- ②  $A = ("OH" + 2.125' + \frac{0.052'}{\sin \theta} - "B") \times \tan \theta$
- ③ Clear Cover will be as shown unless otherwise shown on Span Details.
- ④ Only required on slabs with breakbacks.
- ⑤ Thickened Slab End dimensioned perpendicular to Face of Bkwl, Centerline Interior Bent or Face of Inverted-T Stem.

**PARTIAL PLAN FOR SLABS WITHOUT BREAKBACK**

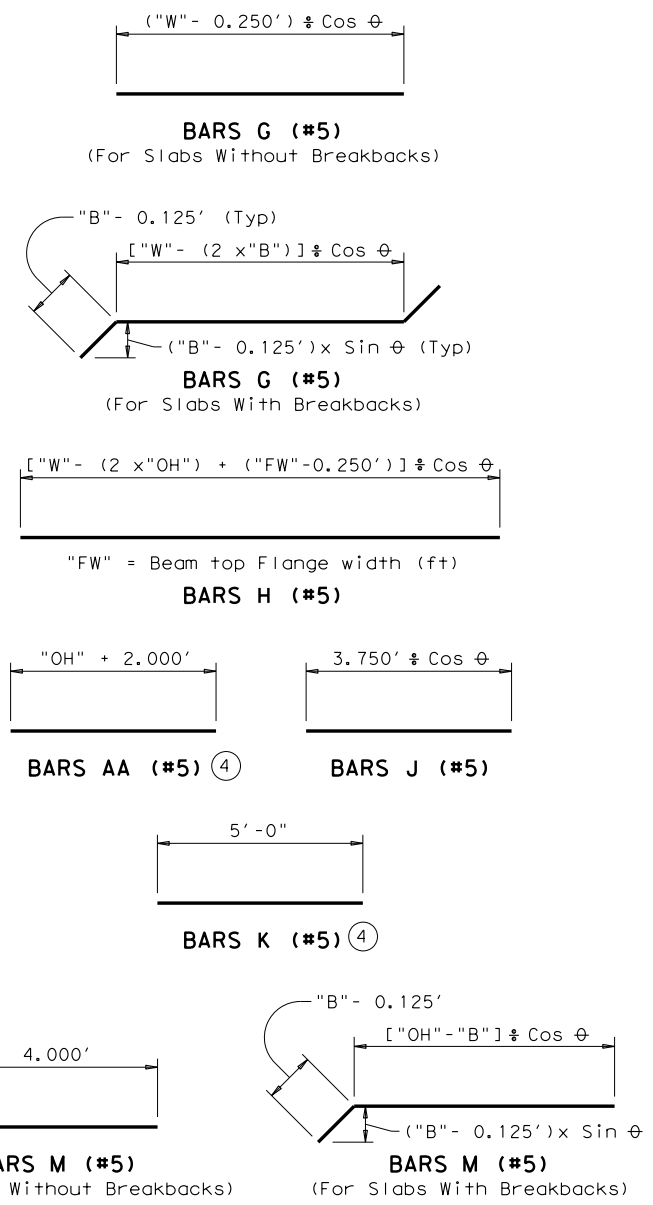
**PARTIAL PLAN FOR SLABS WITH BREAKBACK**



**TYPICAL TRANSVERSE SECTION**  
(Showing Prestressed Conc X-Beams at  $\phi$  Brg)



**SECTION A-A**  
(Showing with 2" and more of Haunch)



**GENERAL NOTES:**  
 Designed according to AASHTO LRFD Specifications.  
 These details are restricted to Prestressed Concrete X-Beam Spans.  
 These details are to be used in conjunction with the Span Details and Standard PCP (if prestressed concrete panels are used).  
 All reinforcing bars must be Grade 60 steel.  
 If slab reinforcing steel is shown on the Slab Details to be epoxy coated, then Bars AA, G, K, H, J and M must be epoxy coated. Bar laps, where required, will be as follows:  
 Uncoated ~ #4 = 1'-5"  
           ~ #5 = 1'-9"  
 Epoxy Coated ~ #4 = 2'-1"  
                ~ #5 = 2'-7"

HL93 LOADING

		Bridge Division Standard	
<b>THICKENED SLAB END DETAILS</b>			
<b>PRESTRESSED CONCRETE X-BEAM SPANS</b>			
<b>XBTS</b>			
FILE: xbstde09.dgn	DN: JMH	CK: AM	DW: JTR
©TxDOT June 2011	CONT	SECT	JOB
REVISIONS	DIST		COUNTY
			SHEET NO.

DATE: FILE: