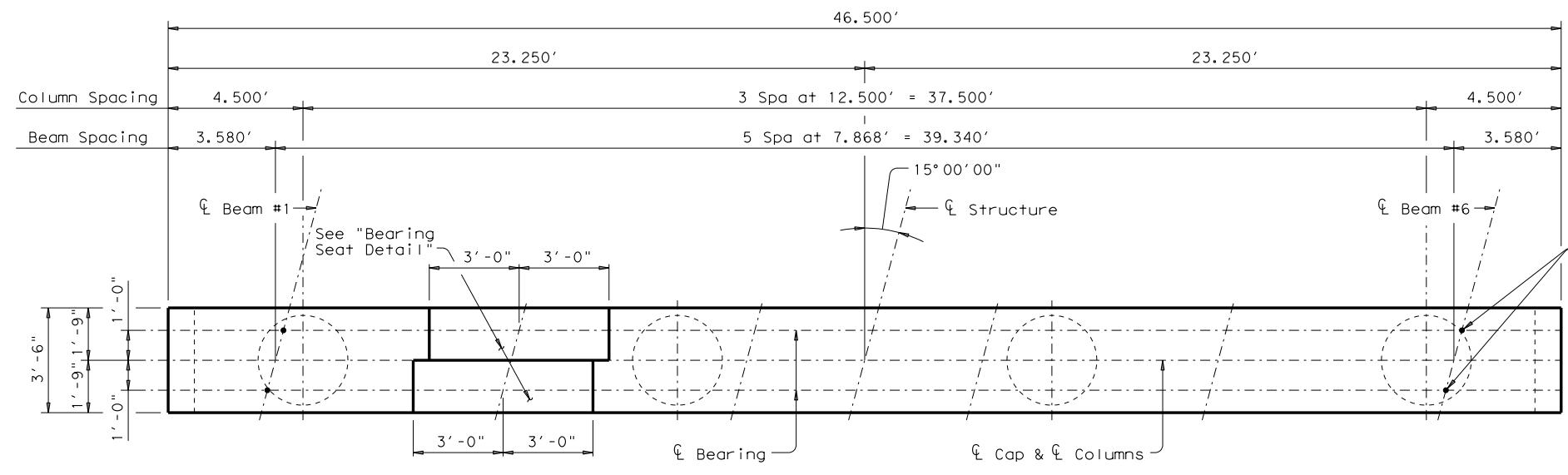
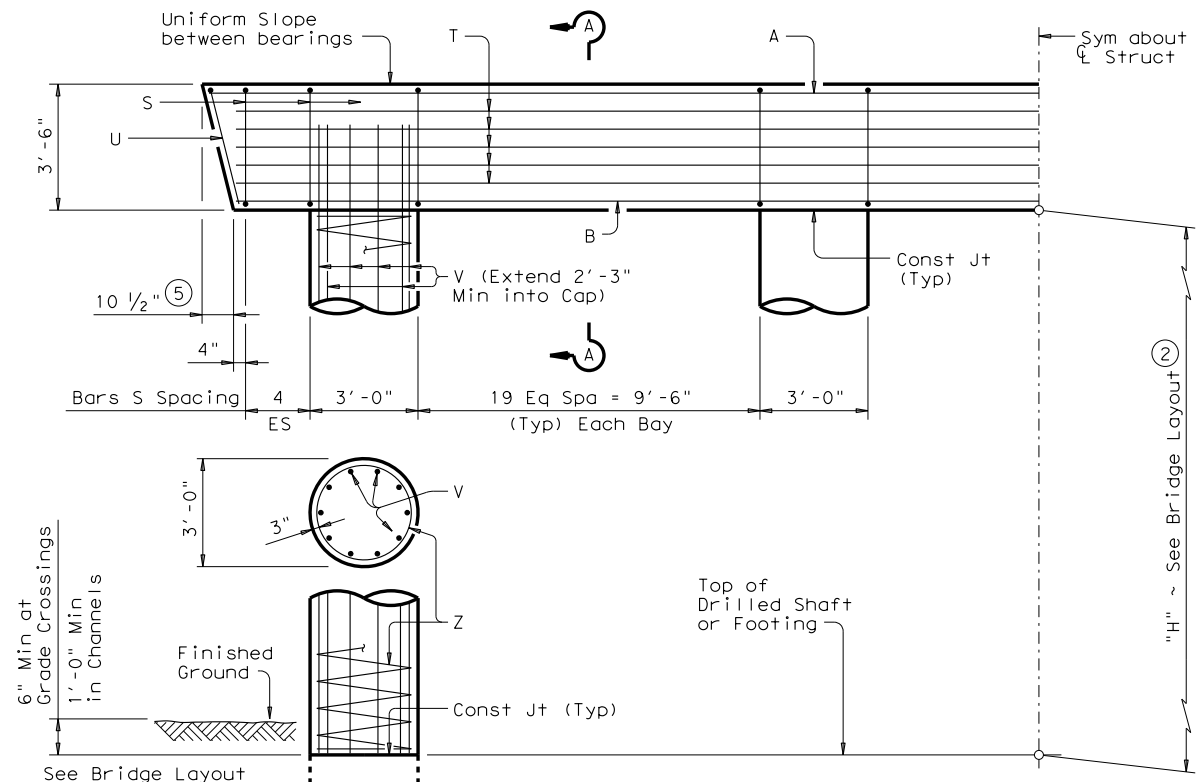


DISCLAIMER: This standard is governed by the "Texas Engineering Practice Act". No warranty of any kind is made by TxDOT for any purpose whatsoever. TxDOT assumes no responsibility for the conversion of this standard to other formats or for incorrect results or damages resulting from its use.

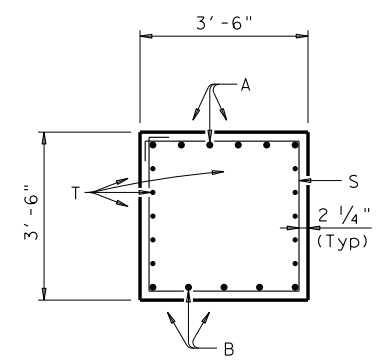
DATE: FILE:



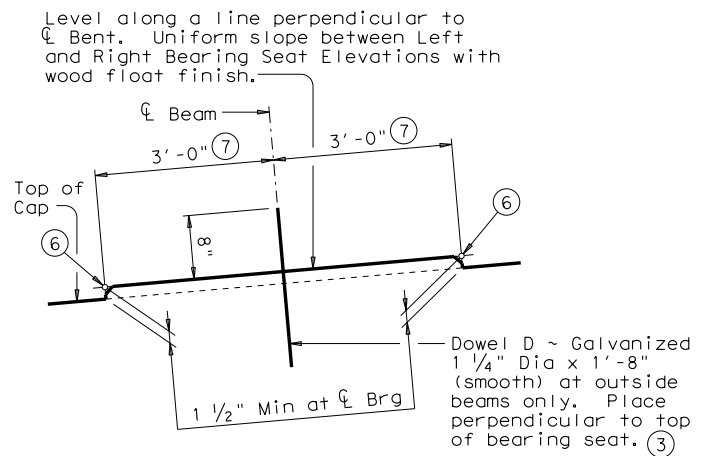
**PLAN**



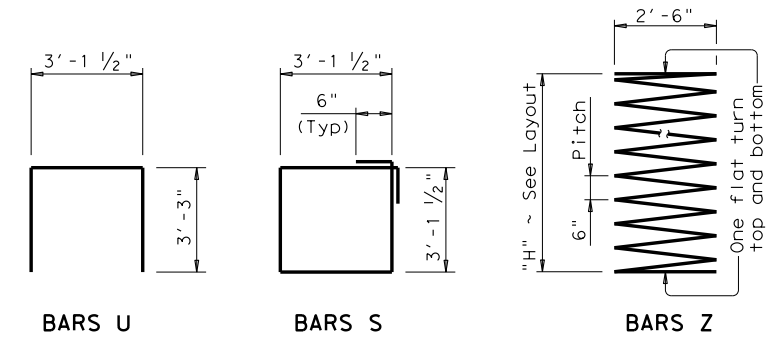
**HALF ELEVATION**



**SECTION A-A**



**BEARING SEAT DETAIL**



**BARS U**

**BARS S**

**BARS Z**

TABLE OF ESTIMATED QUANTITIES (1)				
Bar	No.	Size	Length	Weight
A	6	#11	46'-0"	1,466
B	5	#11	44'-6"	1,182
D (3)	4	1 1/4"D	1'-8"	28
S	70	#5	13'-6"	986
T	10	#5	44'-6"	464
U	2	#5	9'-8"	20
V	40	#9	38'-3"	5,202
Z	4	#3	583'-0"	877
Reinforcing Steel			Lb	10,225
Class "C" Concrete (Cap)			CY	21.3
Class "C" Concrete (Col)			CY	37.7

FOUNDATION LOADS (4)				
Span Average	Drilled Shaft Loads	Pile Load (Tons/Pile)		
		3 Pile Ftg	4 Pile Ftg	5 Pile Ftg
Ft	Tons/Shaft			
40	123	44	34	28
45	133	48	36	30
50	143	51	39	32
55	153	54	41	34
60	162	57	44	36
65	172	61	46	38
70	182	64	49	40
75	191	67	51	41
80	201	70	53	43
85	210	73	56	45
90	220	76	58	47
95	229	80	60	49
100	239	83	63	51
105	248	86	65	53
110	258	89	68	55

- Quantities shown are based on an "H" value of 36'. For each linear foot variation in "H" value, make the following adjustments:  
Bars V length, 1'-0"  
Bars Z length, 15.740'  
Reinforcing Steel, 160 Lb  
Class "C" Conc (Col), 1.047 CY
- This standard may not be used for "H" heights exceeding 36'. In areas of very soft soil or where scour is anticipated, allowable "H" heights must be evaluated by the Engineer prior to the use of this standard.
- Omit Dowels D at end of units. Adjust reinforcing steel total accordingly.
- Foundation Loads based on "H" = 36'.
- Measured parallel to top of cap cross-slope.
- Right and left elevations and locations are provided elsewhere.
- Measured along centerline of Bearing.

**GENERAL NOTES:**  
 Designed according to AASHTO LRFD Specifications.  
 Concrete strength  $f'c = 3,600$  psi.  
 All Cap reinforcing must be Grade 60.  
 Galvanize dowel bars D.  
 Column and Drilled Shaft reinforcing may be Grade 40.  
 See Bridge Layout for foundation type, size and length.  
 See Foundation Detail standard FD for all foundation details and notes.  
 Bent selected must be based on the average span length rounded up to the next 5 Ft increment.  
 Details are drawn showing right forward skew.  
 See Bridge Layout for actual skew direction.  
 These bent details may be used with Standard SXB-44-15 only.

HL93 LOADING

Texas Department of Transportation

**Bridge Division Standard**

**INTERIOR BENTS**  
**TYPE 5XB20 THRU 5XB40**  
**PRESTR CONC X-BEAMS**  
**44' ROADWAY 15° SKEW**  
**BXB-44-15**

FILE: xbstde75.dgn	DN: JMH	CK: AM	DW: JTR	CK: JMH
©TxDOT June 2011	CONT	SECT	JOB	HIGHWAY
REVISIONS				
	DIST	COUNTY		SHEET NO.