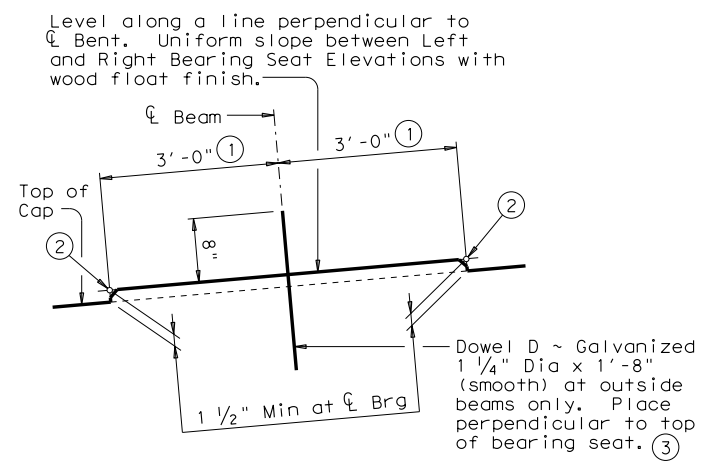
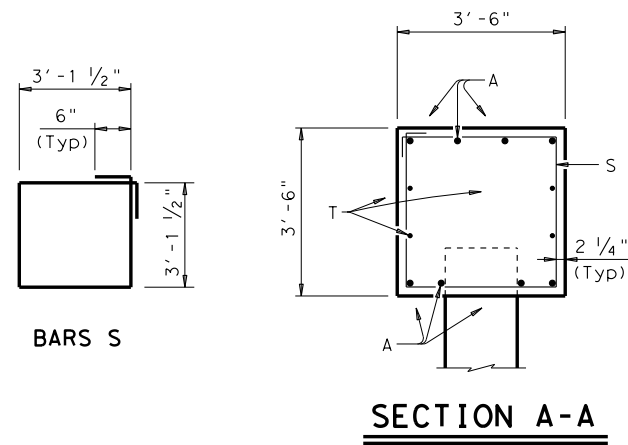


DISCLAIMER: The use of this standard is governed by the "Texas Engineering Practice Act". No warranty of any kind is made by TxDOT for any purpose whatsoever. TxDOT assumes no responsibility for the conversion of this standard to other formats or for incorrect results or damages resulting from its use.

DATE:  
FILE:



**TABLE OF MAXIMUM ALLOWABLE EXPOSED PILE HEIGHTS AND PILE LOADS**

Pile Type		Maximum Height	Maximum Load
Concrete	Steel	Ft	(Tons/Pile)
18" Sq	HP14x117 (6)	20	90
20" Sq	HP18x135	24	110
24" Sq	(7)	24	140

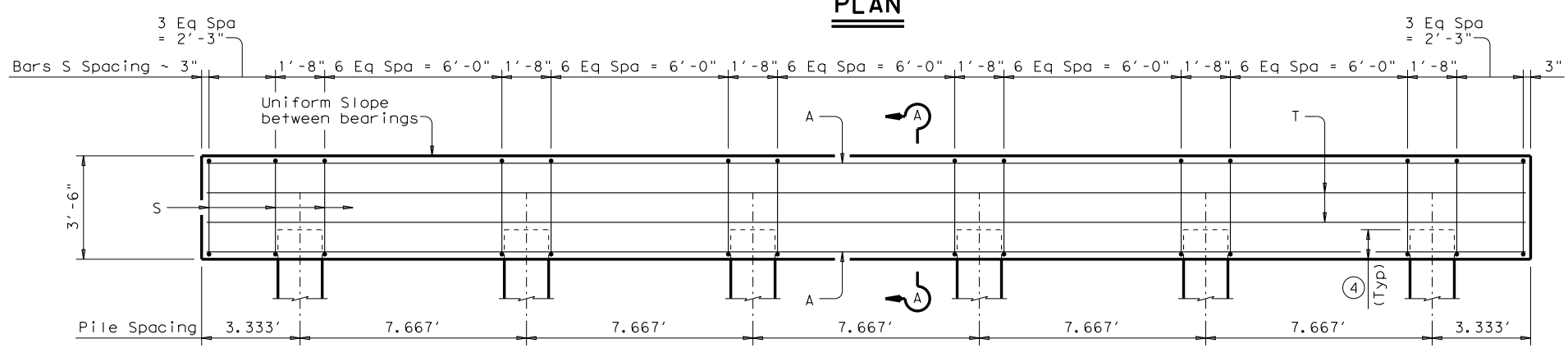
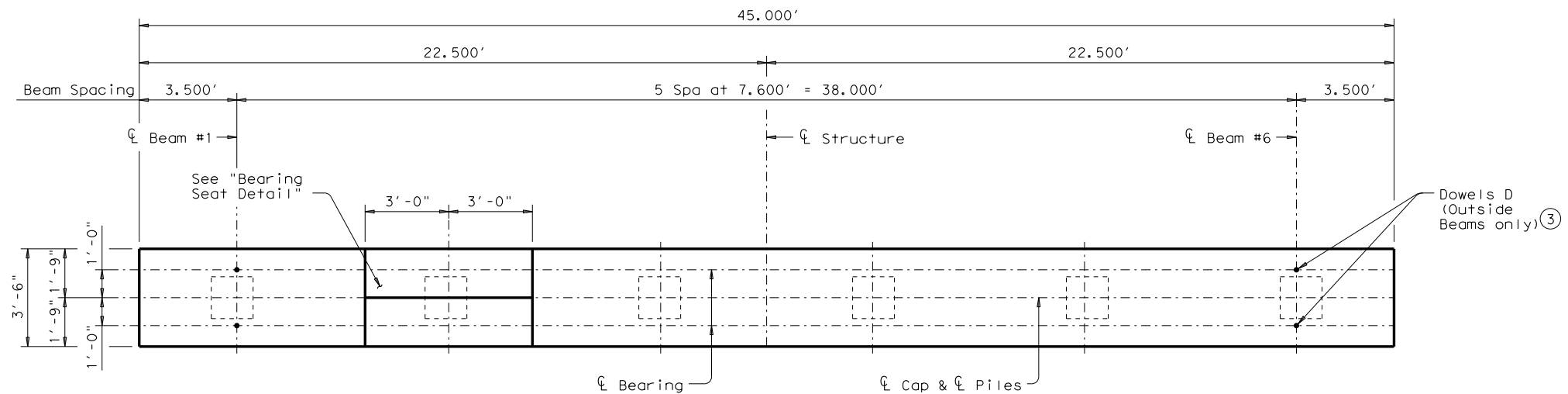
**FOUNDATION LOADS**

Span Average	Minimum Concrete Pile Size	5XB20 & 5XB28 X-Beams	
		Pile Loads	(Tons/Pile)
Ft	In.		
40	18		64
45			70
50			76
55			81
60	20		87
65			93
70			98
75			104
80	24		110
85			115

**TABLE OF ESTIMATED QUANTITIES**

**40' THRU 85' SPANS**

Bar	No.	Size	Length	Weight	
A	8	#9	44'-8"	1,215	
D (3)	4	1 1/4"D	1'-8"	28	
S	43	#5	13'-6"	605	
T	4	#5	44'-8"	186	
Reinforcing Steel				Lb	2,034
Class "C" Concrete				CY	21.0



- ① Measured along  $\bar{C}$  of Bearing.
- ② Right and left elevations and locations are provided elsewhere.
- ③ Omit Dowels D at end of units. Adjust reinforcing steel total accordingly.
- ④ See FD standard.
- ⑤ In areas of very soft soil or where scour is anticipated, maximum allowable exposed pile heights shall be evaluated by the Engineer prior to use of this standard.
- ⑥ When HP14 x 117 steel piling is specified in the plans, the Contractor has the option of furnishing either HP14 x 117 or HP16 x 101 steel piling.
- ⑦ Where no steel HP section is shown, a suitable HP equivalent to the square concrete pile has not been evaluated.

**GENERAL NOTES:**  
 Designed according to AASHTO LRFD Specifications.  
 For Bents supporting unequal spans, the shorter span cannot be less than 80 percent of the longer span.  
 These details are limited to an 85' maximum span length.  
 Concrete strength  $f'c = 3,600$  psi.  
 All Cap reinforcing must be Grade 60.  
 Galvanize dowel bars D.  
 See Bridge Layout for piling size and length.  
 See Foundation Details standard FD for all foundation details and notes.  
 Bent selected shall be based on the average span length rounded up to the next 5 Ft increment.  
 These bent details may be used with Standard SXB-44 only.

HL93 LOADING

**Texas Department of Transportation** Bridge Division Standard

**INTERIOR TRESTLE BENTS**  
 TYPE 5XB20 AND 5XB28  
 PRESTR CONC X-BEAMS  
 44' ROADWAY

**BTXB-44**

FILE: xbstde89.dgn	DN: JMH	CK: AM	DW: JTR	CK: JMH
©TxDOT February 2012	CONT	SECT	JOB	HIGHWAY
REVISIONS	DIST	COUNTY	SHEET NO.	