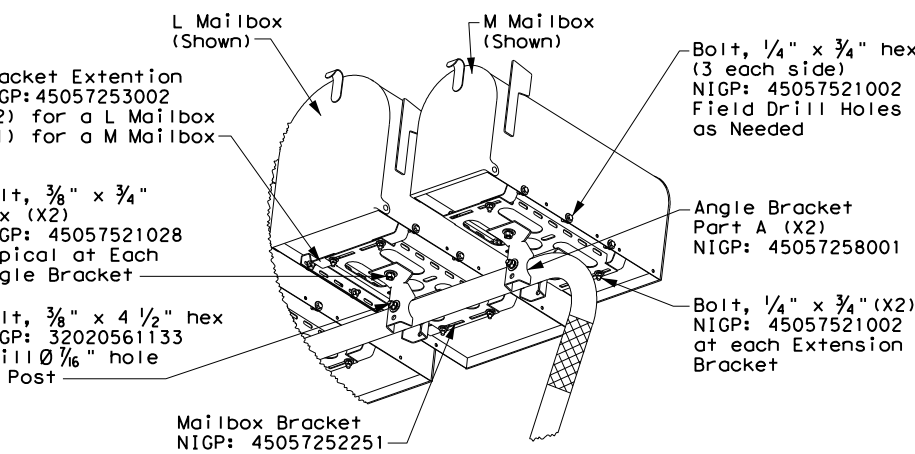
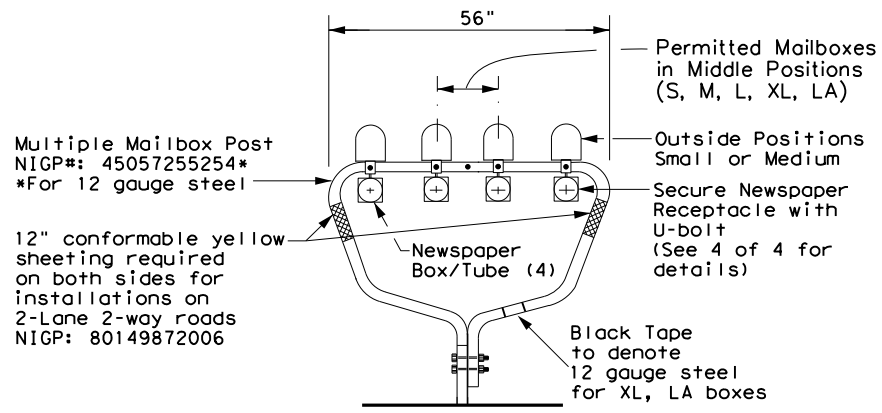


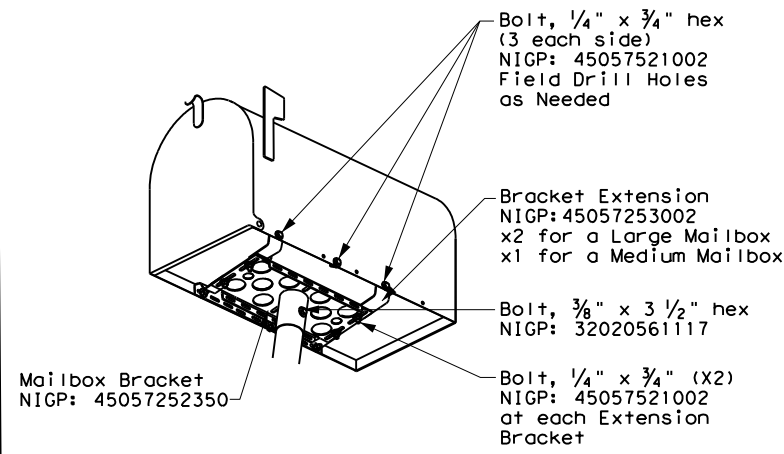
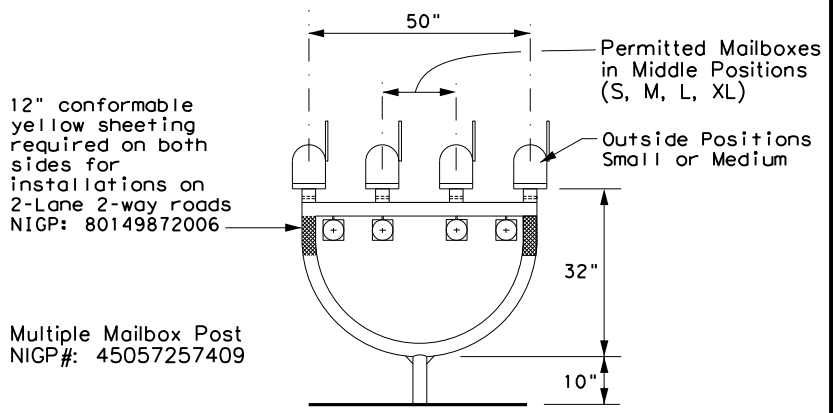
DISCLAIMER: The use of this standard is governed by the "Texas Engineering Practice Act". No warranty of any kind is made by TxDOT for any purpose whatsoever. TxDOT assumes no responsibility for the conversion of this standard to other formats or for incorrect results or damages resulting from its use.

DATE: FILE:

TYPE 1 - MULTIPLE



TYPE 4 - MULTIPLE



MAILBOX SIZES

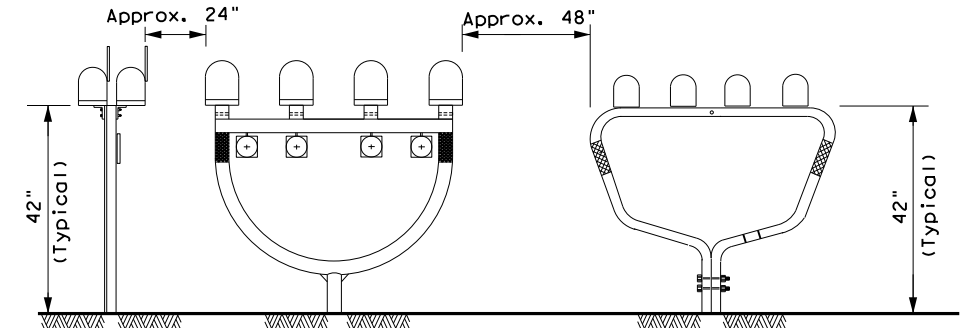
MAILBOX SIZE	TYPICAL DIMENSIONS			MAX **
	LENGTH	WIDTH	HEIGHT	WEIGHT
SMALL	19 1/2"	6"	7"	6 LBS
MEDIUM	22 1/2" *	8" *	11 1/2" *	8 LBS
LARGE	23 1/2"	11 1/2"	13 1/2"	11 LBS
EXTRA LARGE	18"	14"	12"	13 LBS
LOCKABLE	18"	11 1/2"	15"	23 LBS

* See Note 1.
 ** Excluding Molded Plastic on 4 X 4 Post

GENERAL NOTES:

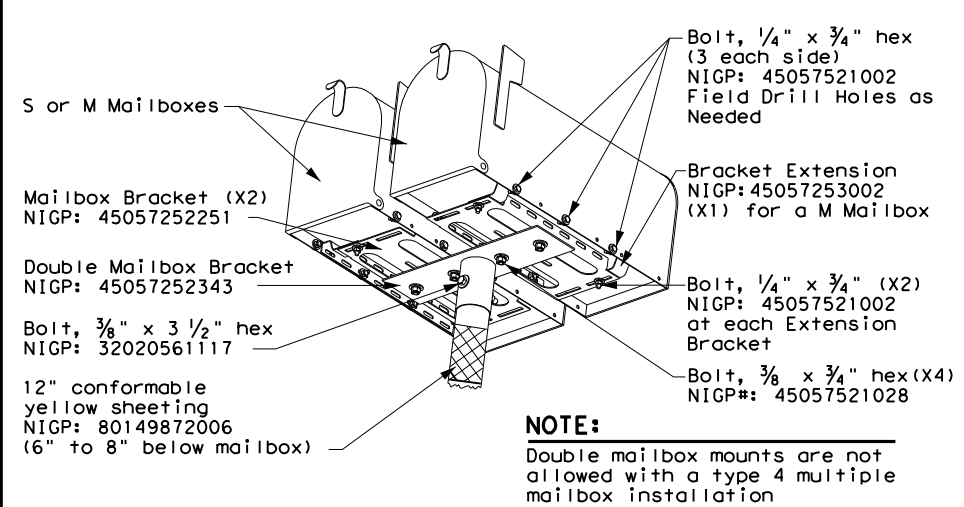
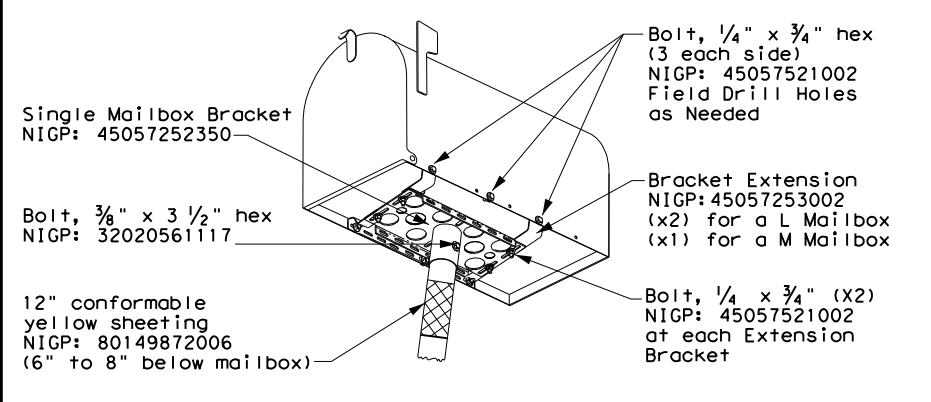
- Dimensions shown (length, width, and height) are typical, not maximums. However, anytime a medium size mailbox is mounted on a single/double mount or on the outside position on a multi mount, the dimensions shown are maximums.
- Mailboxes shall be made of light weight sheet metal or light weight plastic. Heavy steel, cast iron or decorative mailboxes shall not be used on the state highway system.

TYPICAL INSTALLATION MEASUREMENTS



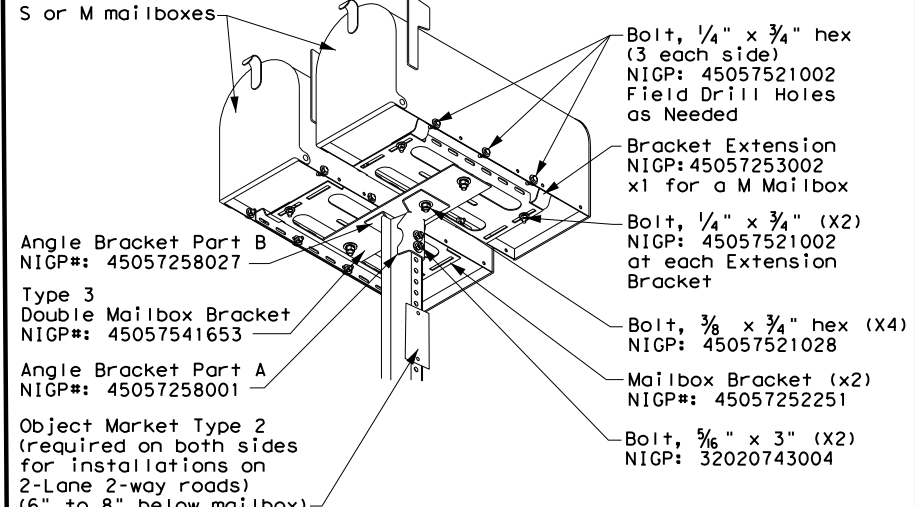
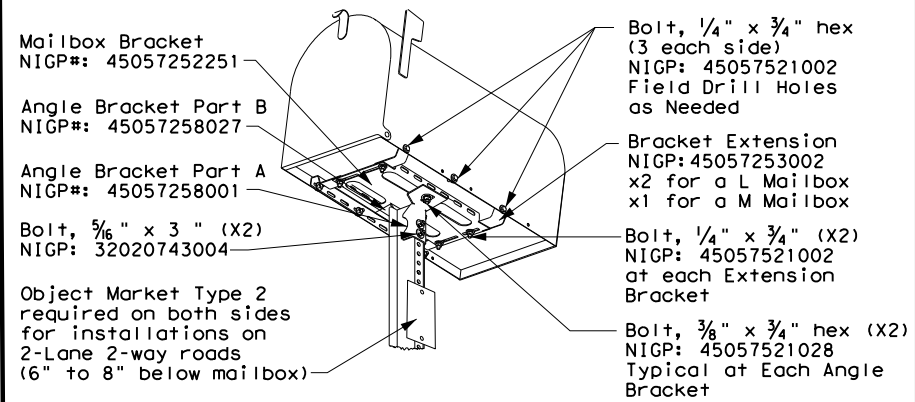
NOTE:
 Mailbox installations in sidewalk areas shall be in accordance with the latest TxDOT Design Standard sheets PED-Pedestrian Facilities Curb Ramps.

TYPE 2 and 4 - SINGLE/DOUBLE

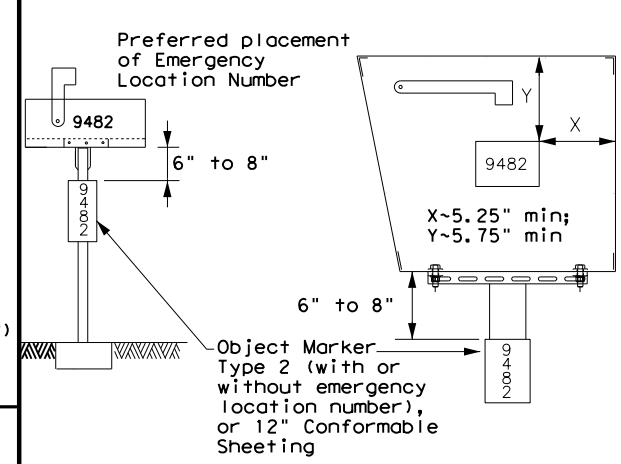


NOTE:
 Double mailbox mounts are not allowed with a type 4 multiple mailbox installation

TYPE 3 - SINGLE/DOUBLE



PLACEMENT OF EMERGENCY LOCATION NUMBER

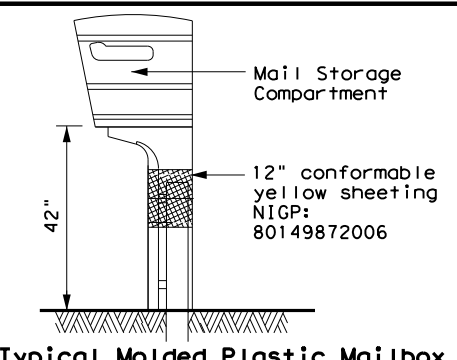


NOTES:

- Location numbers are provided by homeowner. Minimum size 1" height.
- Location number is typically placed on the mailbox in a contrasting color.
- Black numbers may be placed on the Type 2 object marker if the numbers cannot be placed on the mailbox.
- Alternatively, a green or blue plate with white numbers attached may be mounted below the object marker. Other contrasting color configuration, as approved, may be used.
- See 3 of 4 for Foundation details.
- See 4 of 4 for Hardware details.

SHEET 1 OF 4

TYPE 5



Typical Molded Plastic Mailbox

Maintenance Division Standard

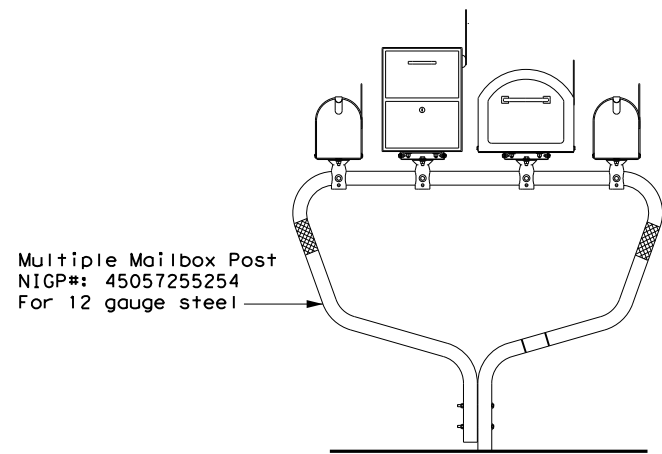
MAILBOX MOUNTING AND ASSEMBLY

MB(1)-21

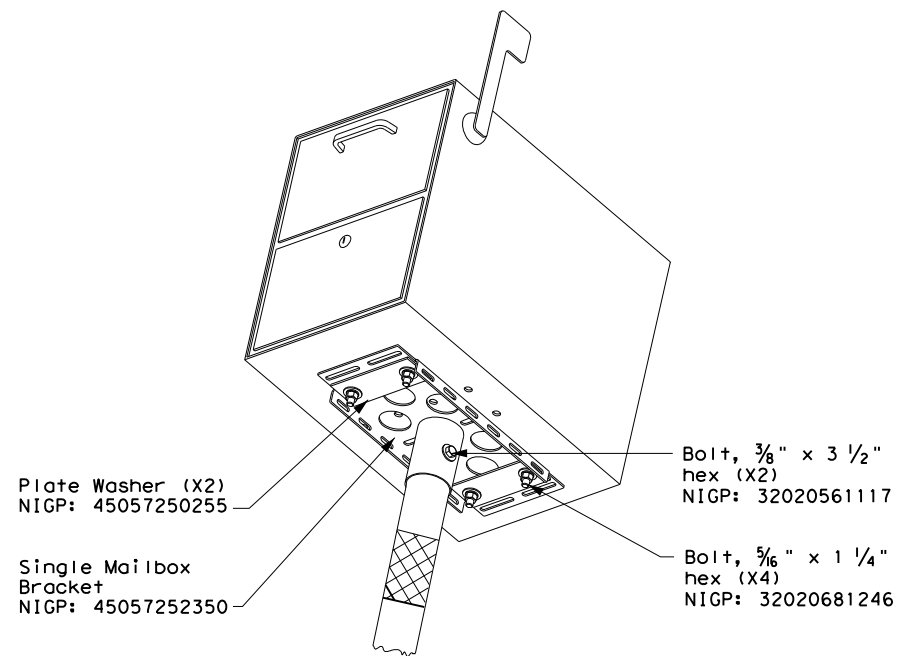
FILE: MB-21.dgn	DN: TxDOT	CK: TxDOT	DW: TxDOT	CR: TxDOT
© TxDOT March 2004	CONT	SECT	JOB	HIGHWAY
2/2005	11/2009	4/2015		
6/2005	1/2011			
11/2006	7/2014			
	DIST	COUNTY		SHEET NO.

DISCLAIMER: The use of this standard is governed by the "Texas Engineering Practice Act". No warranty of any kind is made by TxDOT for any purpose whatsoever. TxDOT assumes no responsibility for the conversion of this standard to other formats or for incorrect results or damages resulting from its use.

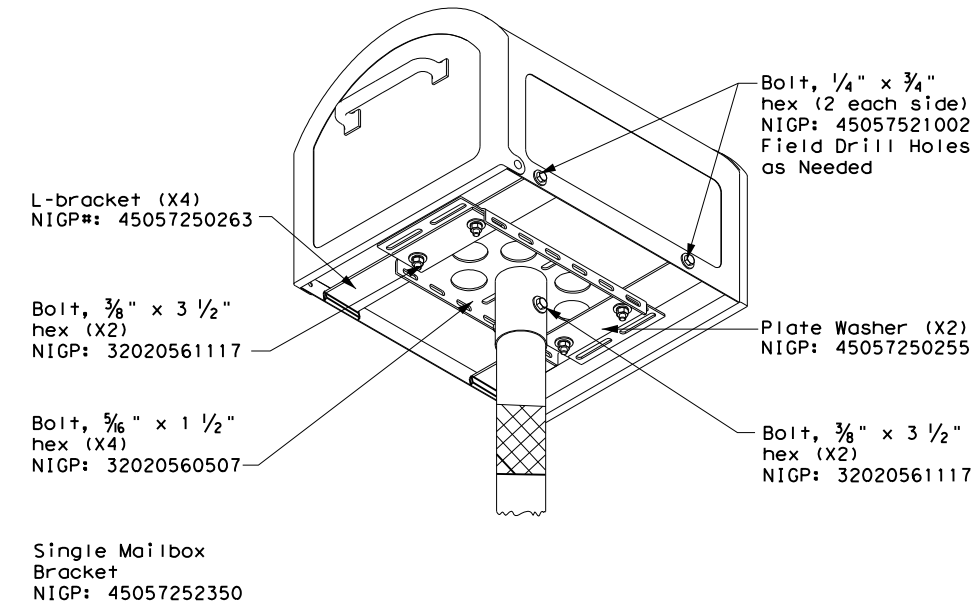
TYPE 1 - MULTI LOCKABLE AND XL MAILBOX



TYPE 2/4 - SINGLE LOCKABLE MAILBOX

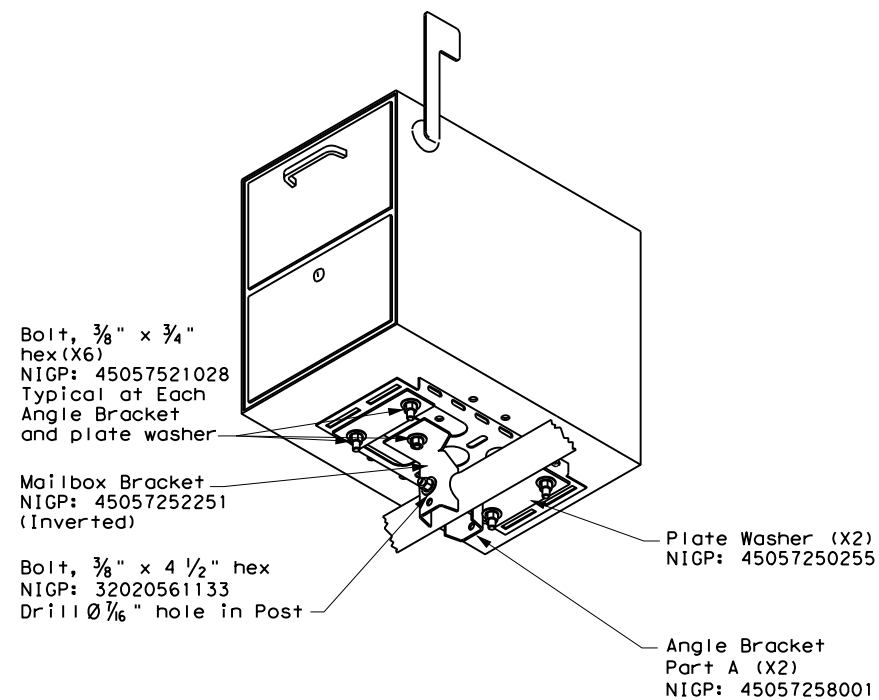


TYPE 2/4 - SINGLE XL MAILBOX

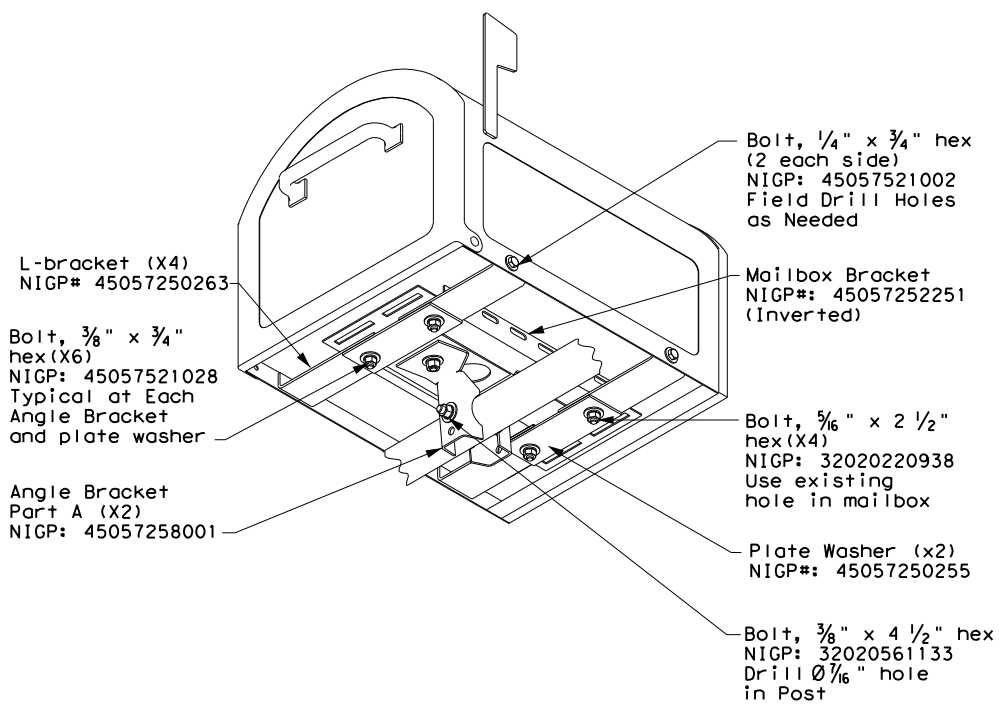


NOTE:
Follow same configuration when mounting an XL mailbox on a Type 4 multi post.

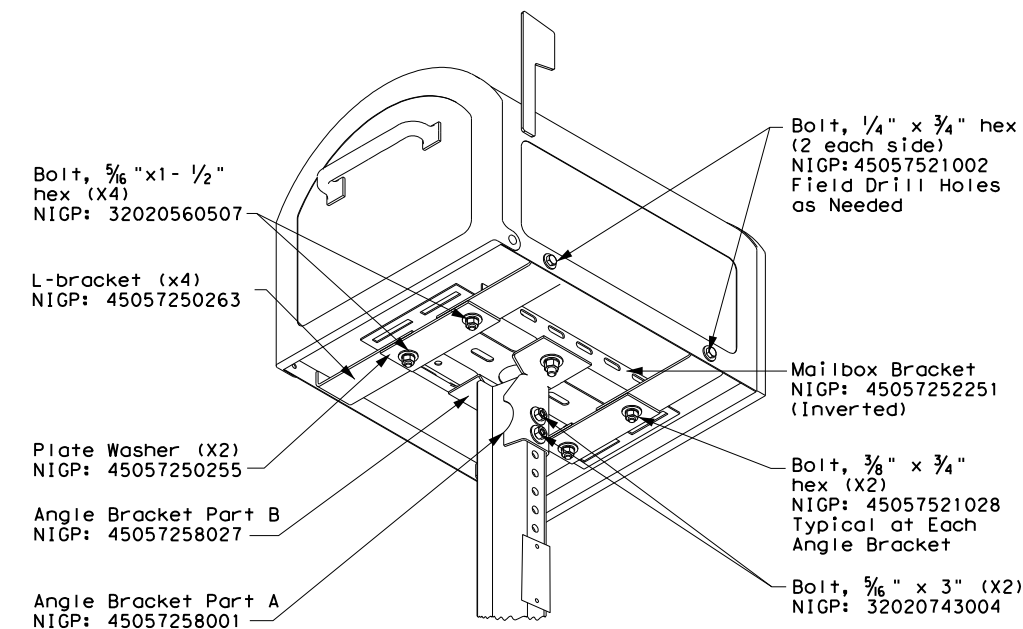
TYPE 1 MULTI - LOCKABLE ARCHITECTURAL (LA)



TYPE 1 MULTI - XL MAILBOX



TYPE 3 - XL MAILBOX MOUNTING



SHEET 2 OF 4

Texas Department of Transportation Maintenance Division Standard

XL AND LOCKABLE ARCHITECTURAL MAILBOX ASSEMBLY MB (2) - 21

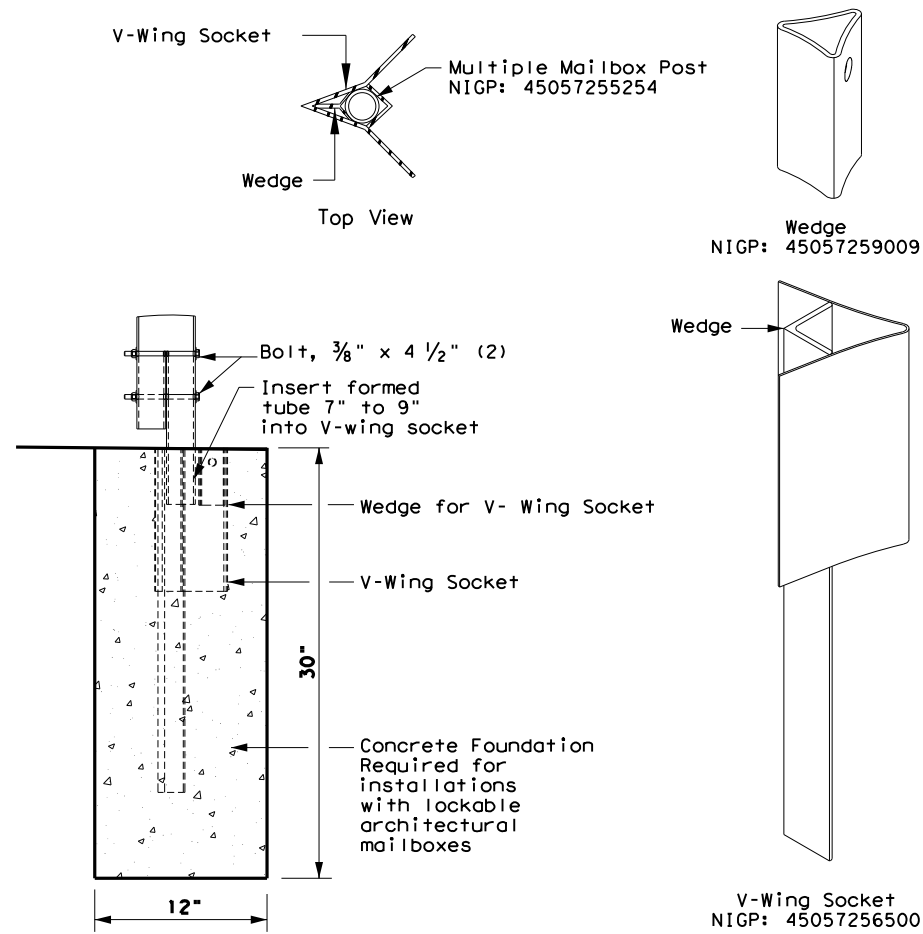
FILE: MB-21.dgn	DN: TxDOT	ck: TxDOT	DW: TxDOT	ck: TxDOT
© TxDOT March 2004	CONT	SECT	JOB	HIGHWAY
REVISIONS				
2/2005	11/2009	4/2015		
6/2005	1/2011			
11/2006	7/2014			
	DIST	COUNTY		SHEET NO.

DATE: FILE:

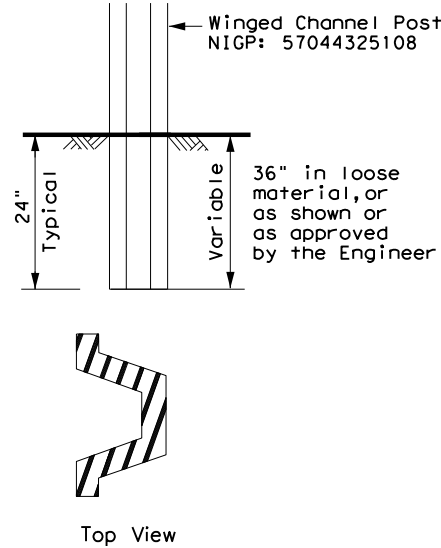
DISCLAIMER: The use of this standard is governed by the "Texas Engineering Practice Act". No warranty of any kind is made by TxDOT for any purpose whatsoever. TxDOT assumes no responsibility for the conversion of this standard to other formats or for incorrect results or damages resulting from its use.

TYPE 1 - SUPPORT/FOUNDATION

Thin Wall Tube w/ V-LOC Anchorage



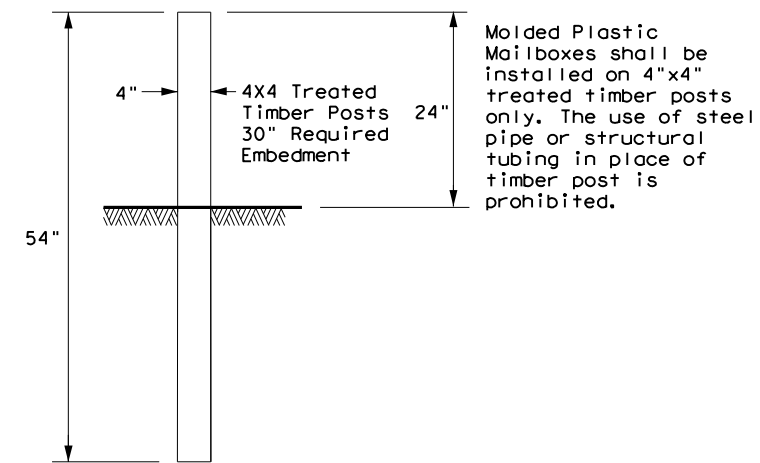
TYPE 3 - SUPPORT/FOUNDATION



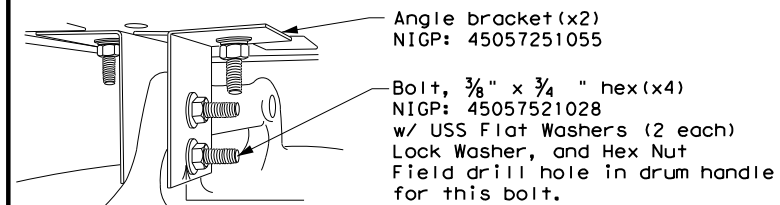
NOTES:

1. Attach Object Marker (OM) facing direction of traffic.
2. OM will also be required on opposite side if installed on a 2-Lane, 2-Way roadway.

TYPE 5 - SUPPORT/FOUNDATION



TYPE 6 - TEMPORARY MAILBOX SUPPORT



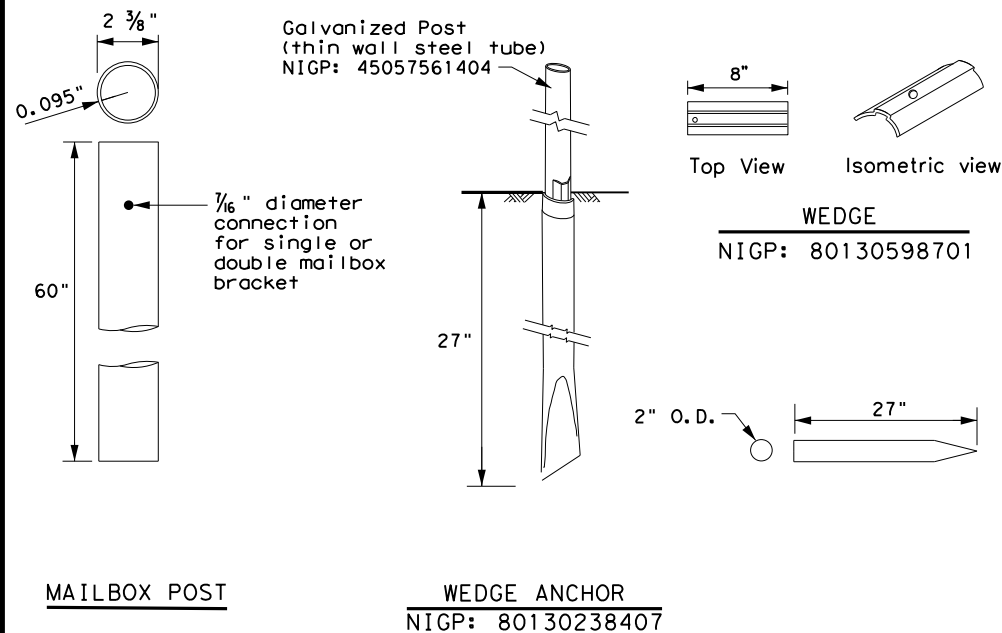
Plastic Drum NIGP: 55093383655
 Rubber Collar NIGP: 55093387102

NOTES:

1. Place on approved plastic drum as shown in the Compliant Work Zone Traffic Control Devices (CWZTCD).
2. Existing attachment hardware shall be used unless damaged. Damaged hardware shall be replaced.

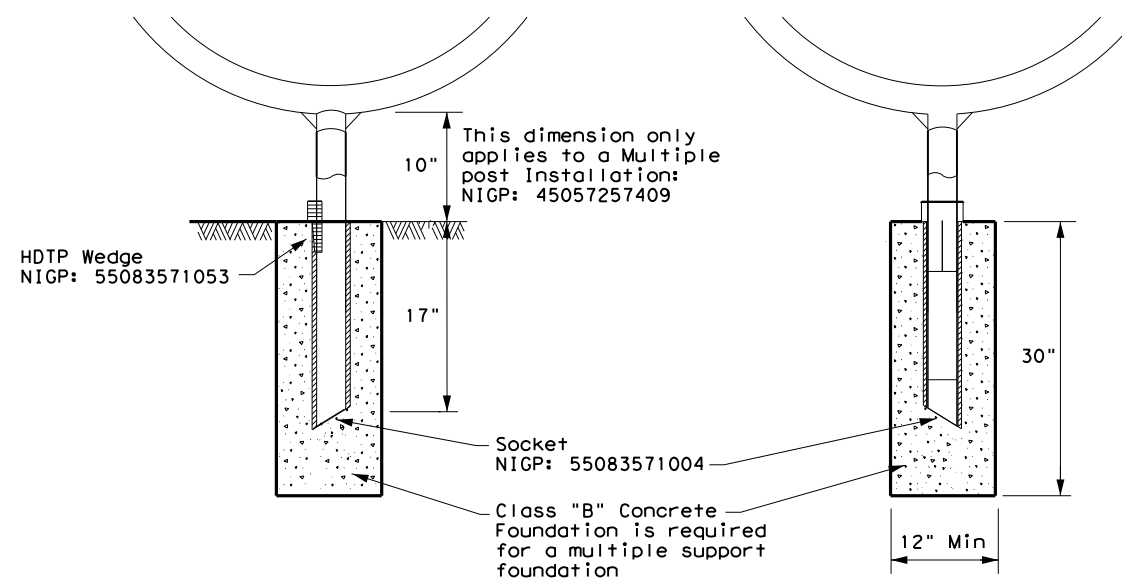
TYPE 2 - SUPPORT/FOUNDATION

Thin Wall Steel Tube w/Wedge Anchor System



TYPE 4 - SUPPORT/FOUNDATION

Whitecoated steel post NIGP: 45057561107
 Multiple post NIGP: 45057257409
 Recycled Rubber post (RR) NIGP: 45057561057



GENERAL NOTES:

1. Erect post plumb or vertical.
2. When galvanized part is required galvanize in accordance with Item 445.
3. Use a concrete footing as shown or when directed. Concrete footing will be required when soils do not hold the support/foundations in a stable condition, only on Type 1, Type 2, and Type 4

SHEET 3 OF 4



MAILBOX SUPPORT AND FOUNDATION

MB (3) - 21

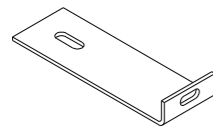
FILE: MB-21.dgn	DN:	CK:	DW:	CK:
© TxDOT March 2004	CONT	SECT	JOB	HIGHWAY
REVISIONS				
2/2005 11/2009 4/2015				
6/2005 1/2011	DIST	COUNTY	SHEET NO.	
11/2006 7/2014				

DATE:
FILE:

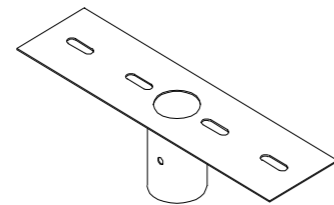
DISCLAIMER: The use of this standard is governed by the "Texas Engineering Practice Act". No warranty of any kind is made by TxDOT for any purpose whatsoever. TxDOT assumes no responsibility for the conversion of this standard to other formats or for incorrect results or damages resulting from its use.

DATE: FILE:

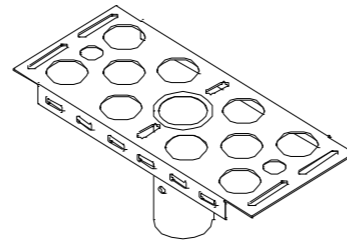
TYPE	TYPE 1	TYPE 2	TYPE 3	TYPE 4	TYPE 5	TYPE 6
Configuration	Multiple	Single or Double	Single or Double	Single	Double	Multiple
Mailbox Size NIGP #	Outside Position: S or M Inside Position: S, M, L, XL, or LA	Single: S, M, L, XL, or LA Double: SS, SM, MM	Single: S, M, L, or XL Double: SS, SM, MM	S, M, L, XL, or LA	SS, SM, or MM	Outside Position: S or M Inside Position: S, M, L, or XL
Mailbox Post NIGP #	45057255254 (Galvanized Multiple)	45057561404 (Thin Walled Galvanized)	57044325108 (Wing Channel Post)	45057561107 (Thin walled white powder coated) 45057561057 (Recycled Rubber Post: S or M only)	45057561107 (Thin Walled White Powder Coated)	45057257409 (White Powder Coated Multiple)
Post and Mailbox Hardware NIGP #	45057259009 (Wedge) 45057256500 (V-Wing Socket) 45057253002 (Bracket Extension) 45057252251 (Mailbox Bracket) 45057258001 (Part A Angle Bracket x2) 45057250255 (Plate Washer for XL/LA x2) 45057250263 (L-Bracket for XL x4)	80130598701 (Wedge) 80130238407 (Wedge Anchor) 45057253002 (Bracket Extension) 45057252343 (Double MB Bracket) 45057252350 (S. Mailbox Bracket) 45057252251 (Mailbox Bracket) 45057250255 (Plate Washer for XL/LA x2) 45057250263 (L-Bracket for XL x4)	45057541653 (Type 3 Double Mailbox Bracket) 45057252251 (Mailbox Bracket) 45057253002 (Bracket Extension) 45057258001 (Part A Angle Bracket) 45057258027 (Part B Angle Bracket) 45057250255 (Plate Washer for XL x2) 45057250263 (L-Bracket for XL x4)	55083571053 (Wedge) 55083571004 (Socket) 45057252350 (Single Mailbox Bracket) 45057253002 (Bracket Extension) 45057250255 (Plate Washer for XL/LA x2) 45057250263 (L-Bracket for XL x4)	55083571053 (Wedge) 55083571004 (Socket) 45057253002 (Bracket Extension) 45057252350 (Single Mount Bracket) 45057250255 (Plate Washer for XL x2) 45057252251 (Mailbox Bracket x2)	55083571053 (Wedge) 55083571004 (Socket) 45057253002 (Bracket Extension) 45057252350 (Single Mount Bracket) 45057250255 (Plate Washer for XL x2) 45057250263 (L-Bracket for XL x4)
Foundation Used	Class B Concrete (Required for LA Mailboxes)	Class B Concrete (Required for LA Mailboxes)	None	Class B Concrete (not used with recycled rubber post, required for LA Mailboxes)	Class B Concrete (not required)	Class B Concrete



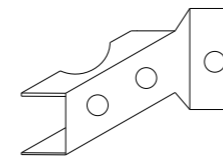
NIGP: 45057250263
L-Bracket x4 for
XL sized mailboxes



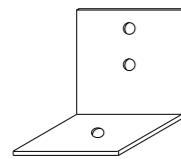
NIGP: 45057252343
Double Mailbox Bracket
For Type 2 and Type 4
double mount



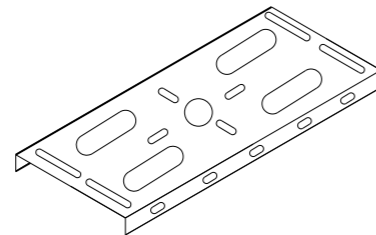
NIGP: 45057252350
Single Mailbox Bracket
For Type 2 single and for
Type 4 single and multi mount



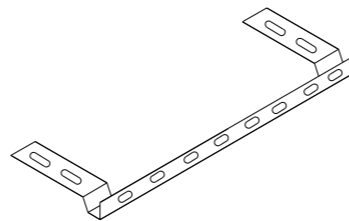
NIGP: 45057258001
Part "A" Angle Bracket
For Type 1 multi (2 per mailbox)
and Type 3 single and double



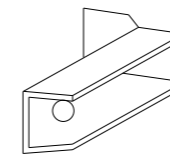
NIGP: 45057251055
Type 6 Angle Bracket
(2 per mailbox)



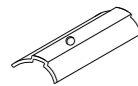
NIGP: 45057252251
Mailbox Bracket
For Type 1 multi and
any double mount (use 2)



NIGP: 45057253002
Bracket Extension
Use 1 for a medium Mailbox
Use 2 for a Large Mailbox



NIGP: 45057258027
Part "B" Angle Bracket
For Type 3 single
and double



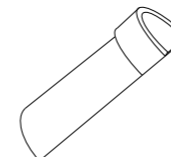
NIGP: 80130598701
Wedge for Type 2



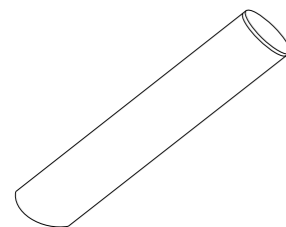
NIGP: 45057250255
Plate Washer for Architectural
and XL Mailboxes



NIGP: 45057541653
Type 3 double mailbox bracket



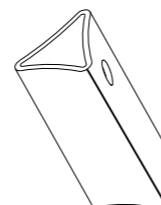
NIGP: 55083571053
Type 4 Mailbox Wedge



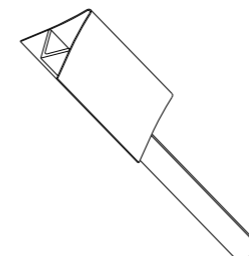
NIGP: 55083571004
Type 4 Mailbox Socket



NIGP: 80130238407
Type 2 Wedge Anchor



NIGP: 45057259009
Wedge for Type 1 V-wing Socket



NIGP: 45057256500
V-wing Socket for
Type 1 Foundation

NIGP #	OBJECT MARKERS AND CONFORMABLE SHEETING
55008311759	Type 2 OM 4"x4" (3 Needed) for Type 3 Wing Channel Post
55008312906	Type 2 OM 6"x12" (1 needed) for Type 3 Wing Channel Post
80149872006	12" Conformable Reflective Yellow Sheeting for Flexible Posts

NOTES:

1. Type 2 object marker in accordance with Traffic Engineering Standard Delineators & Object Markers.
2. A light weight receptacle for newspaper delivery can be attached to mailbox posts if the receptacle does not touch the mailbox, present a hazard to traffic or delivery of the mail, extend beyond the front of the mailbox, or display advertising, except the publication title.

BID CODES FOR CONTRACTS

MB-(X) ASSM TY (XXX) (X)

Type of Mailbox
S = Single
D = Double
M = Multiple
MP = Molded Plastic

Type of Post
WC = Winged Channel Post
RR = Recycled Rubber
TWW = Thin Walled White Tubing
TGW = Thin Walled Galvanized Tubing
TIM = Timber

Type of Foundation
Ty 1 = V-Loc
Ty 2 = Wedge Anchor Steel System
Ty 3 = Winged Channel post
Ty 4 = Wedge Anchor Plastic System
Ty 5 = 4 X 4 Post

SHEET 4 OF 4

		Maintenance Division Standard	
<h2>NIGP PARTS LIST AND COMPATIBILITY</h2> <h3>MB(4)-21</h3>			
FILE: MB-21.dgn	DN: TxDOT	CK: TxDOT	DW: TxDOT
© TxDOT March 2004	CONT	SECT	JOB
REVISIONS 2/2005 11/2009 4/2015 6/2005 1/2011 11/2006 7/2014		DIST	COUNTY
		SHEET NO.	