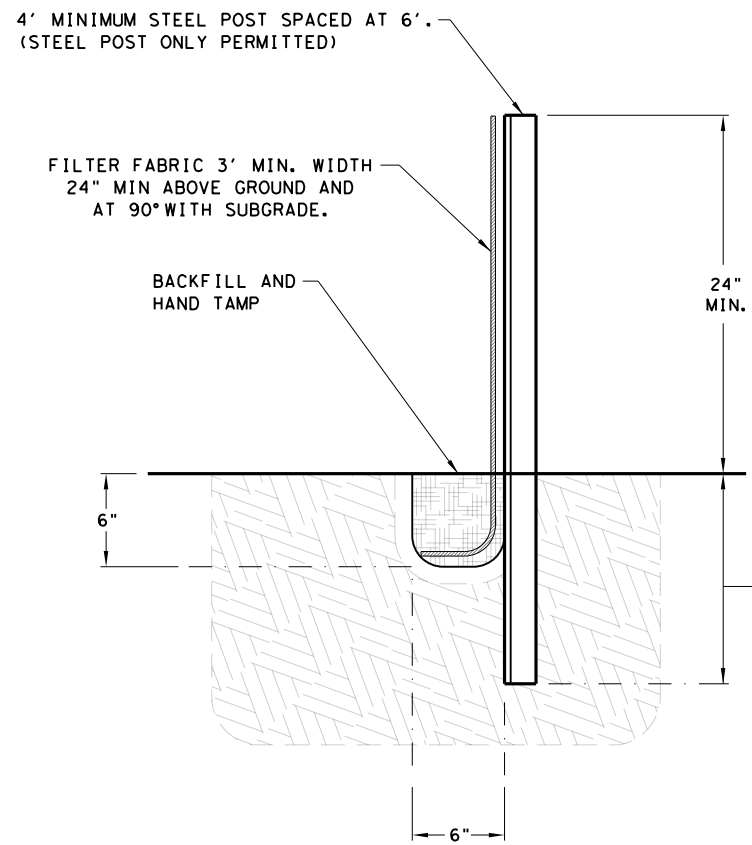
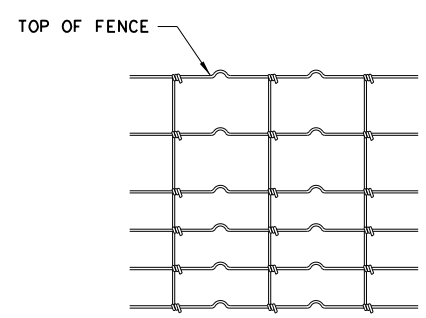
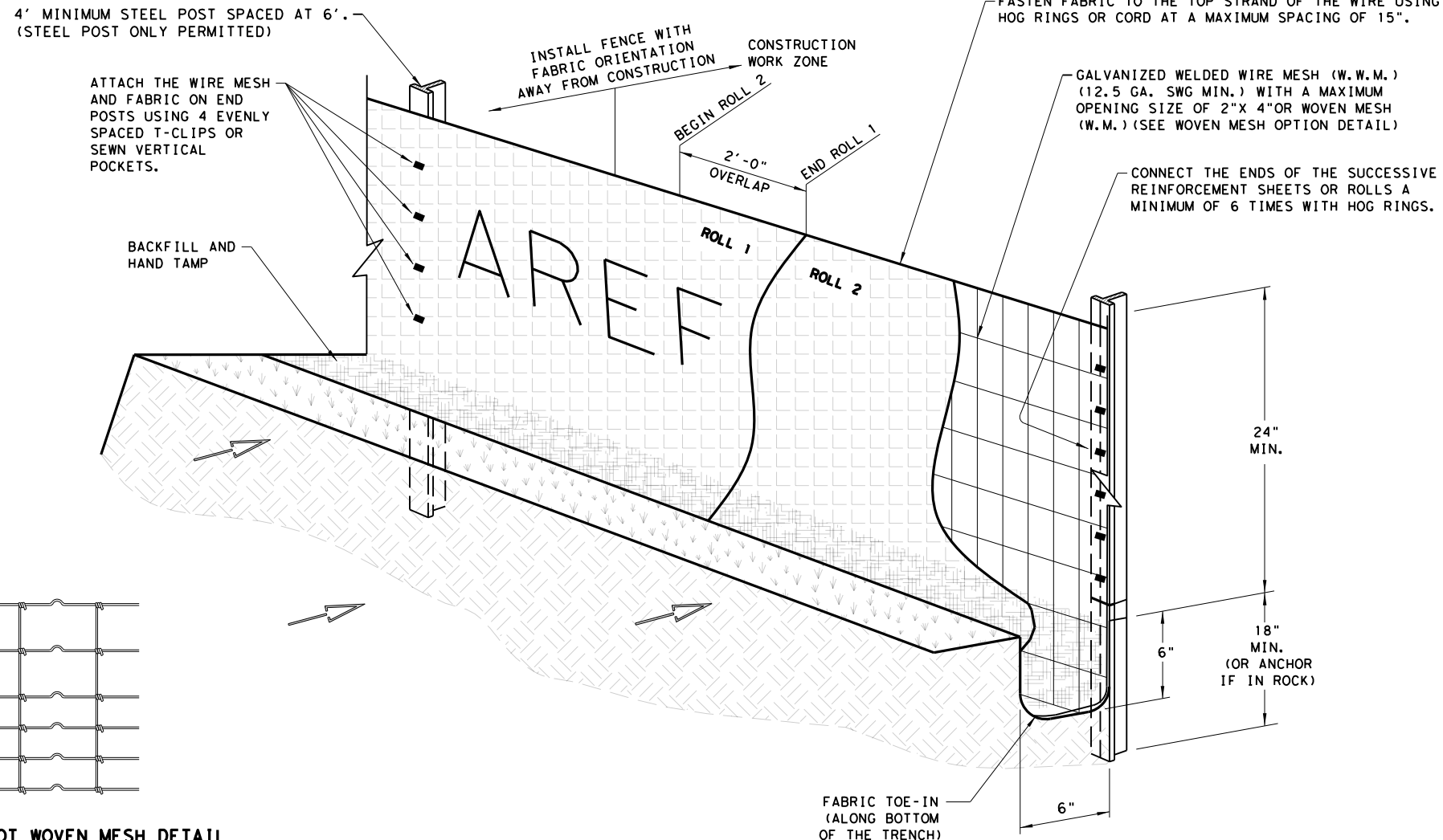


DISCLAIMER: The use of this standard is governed by the "Texas Engineering Practice Act". No warranty of any kind is made by TxDOT for any purpose whatsoever. TxDOT assumes no responsibility for the conversion of this standard to other formats or for incorrect results or damages resulting from its use.

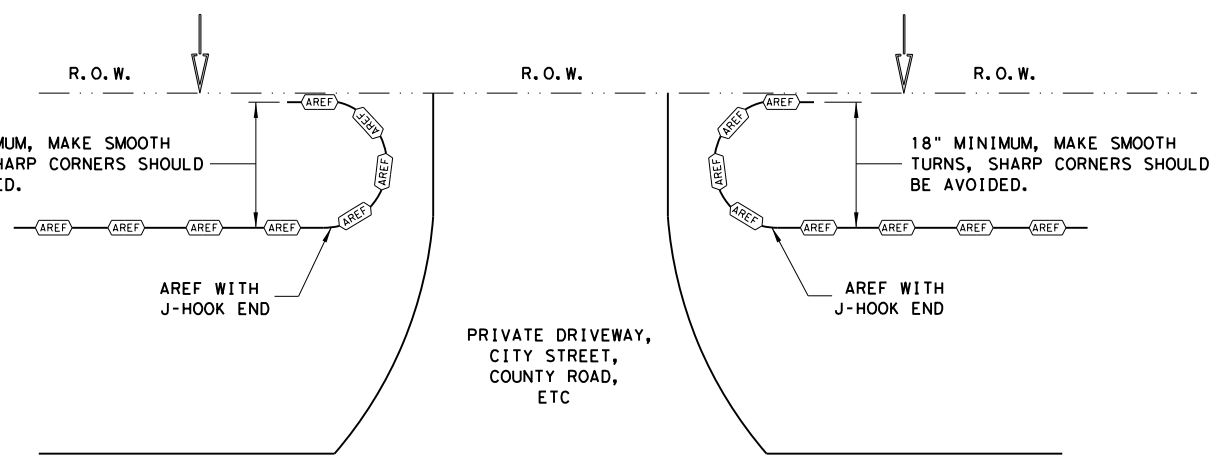
DATE:  
FILE:



**TRENCH SIDE VIEW DETAIL**  
FABRIC TOE-IN IS TO RUN DOWN THE TRENCH AND ALONG THE BOTTOM OF THE TRENCH



**HINGE JOINT KNOT WOVEN MESH DETAIL**  
GALVANIZED HINGE JOINT KNOT WOVEN MESH (12.5 GA. SWG MIN.) REQUIRES A MINIMUM OF FIVE HORIZONTAL WIRES SPACED AT A MAXIMUM OF 12 INCHES APART AND ALL VERTICAL WIRES SPACED AT A MAXIMUM OF 12 INCHES APART.



**J-HOOK END OF FENCE DETAIL (TOP VIEW)**  
TRENCH IS TO STAY 6 IN DEEP AND 6 IN WIDE WITH FABRIC TOE-IN TO MATCH TRENCH DETAIL.  
J-HOOK APPLIES AT DRIVEWAY BREAKS, ROADWAY BREAKS, AND AT ANY LOCATION AS DIRECTED BY THE ENGINEER.

**GENERAL NOTES**

1. REMOVE ALL ROOTS AND OTHER OBSTRUCTIONS FROM THE TRENCH BEFORE FABRIC PLACEMENT.
2. AMPHIBIAN AND REPTILE EXCLUSION FENCE MUST BE CHECKED DAILY, INCLUDING DAYS DURING RAINFALL SHUTDOWN PERIODS.
3. ANY DAMAGE TO FENCE, INCLUDING SMALL HOLES, MUST BE REPAIRED THE DAY IT IS OBSERVED BEFORE DARK.
4. SMALL HOLES (WITH THE ENGINEER'S DISCRETION) MAY BE REPAIRED WITH TAPE AS DIRECTED BY THE ENGINEER.
5. AS DIRECTED BY THE ENGINEER, SECTIONS OF FENCE WHERE THE DAMAGE IS DEEMED DETRIMENTAL TO THE FENCE WILL BE REPLACED RATHER THAN REPAIRED.
6. A MINIMUM OF 2' SHOULD BE OVERLAPPED WHEN JOINING FABRIC SECTIONS.
7. PAINT "AREF" OR "TEF" ON THE FABRIC IN BRIGHT COLOR EVERY 50' AND AT BREAKS.
8. REMOVE SEDIMENT, VEGETATION, OR OTHER DEBRIS TO MAINTAIN THE 24" AREF CLEARANCE.
9. FOR PAYMENT AND ADDITIONAL INFORMATION FOR AREF, SEE SPEC. 5116 (AMPHIBIAN AND REPTILE EXCLUSION FENCE).

**LEGEND**

— AREF — AMPHIBIAN AND REPTILE EXCLUSION FENCE

→ AMPHIBIAN AND REPTILE DIRECTION OF TRAVEL

Texas Department of Transportation  
Design Division Standard

**AMPHIBIAN AND REPTILE EXCLUSION FENCE**

**AREF - 21**

|                        |        |        |        |           |
|------------------------|--------|--------|--------|-----------|
| FILE: aref21.dgn       | DN: TJ | CK: KM | DW: SS | CK: AG    |
| © TxDOT: FEBRUARY 2021 | CONT   | SECT   | JOB    | HIGHWAY   |
| REVISIONS              |        |        |        |           |
| DIST                   | COUNTY |        |        | SHEET NO. |