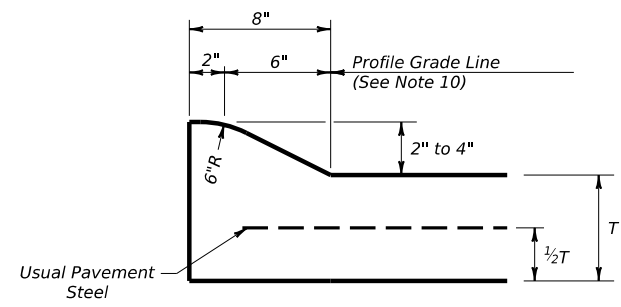
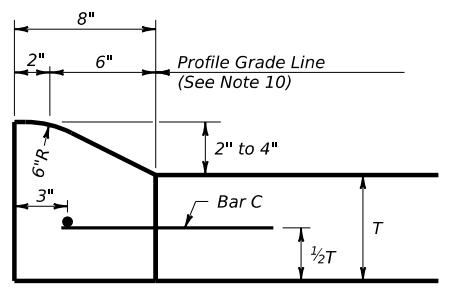


DISCLAIMER: The use of this standard is governed by the "Texas Engineering Practice Act". No warranty of any kind is made by TxDOT for any purpose whatsoever. TxDOT assumes no responsibility for the conversion of this standard to other formats or for incorrect results or damages resulting from its use.

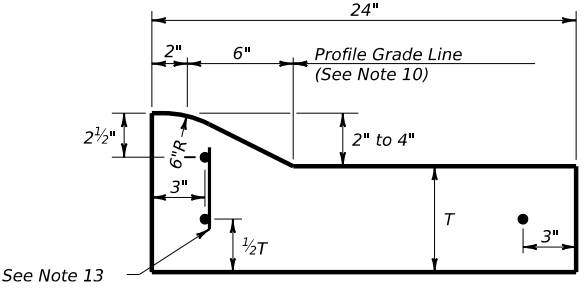
DATE: FILE:



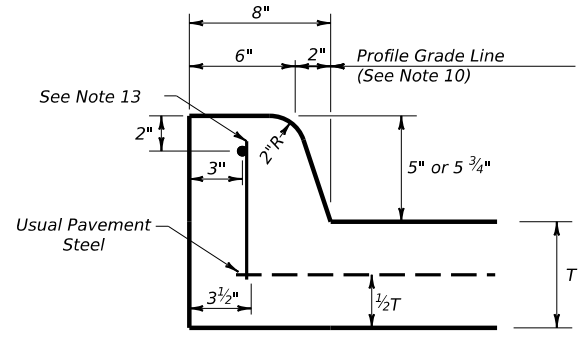
TYPE I CURB (MONOLITHIC)
2" - 4" HEIGHT



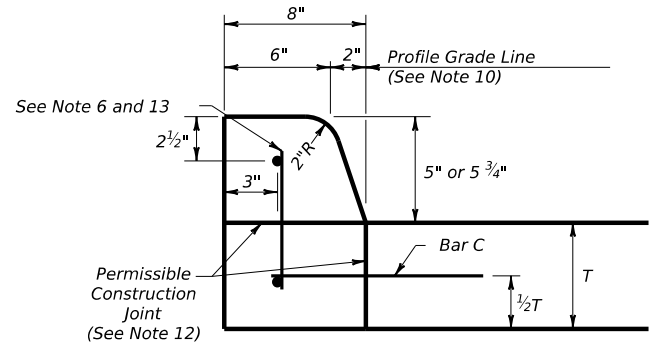
TYPE I CURB
2" - 4" HEIGHT



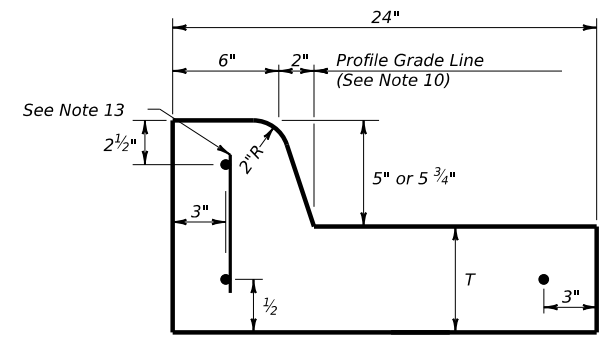
TYPE I CURB AND GUTTER
2" - 4" HEIGHT



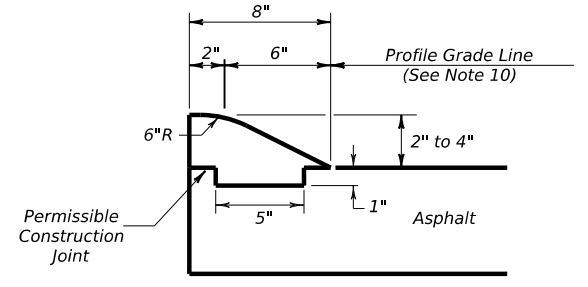
TYPE II CURB (MONOLITHIC)
5" - 5 3/4" HEIGHT



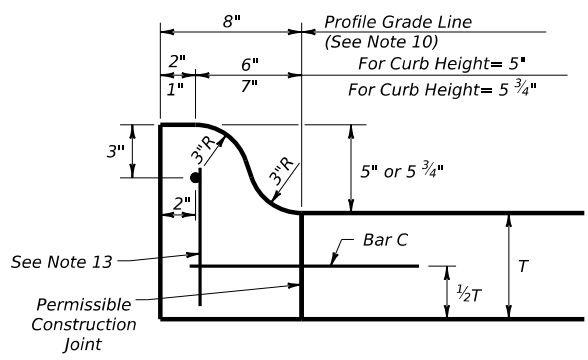
TYPE II CURB
5" - 5 3/4" HEIGHT



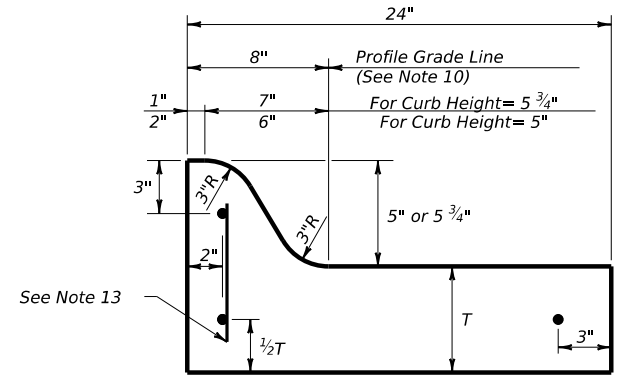
TYPE II CURB AND GUTTER
5" - 5 3/4" HEIGHT



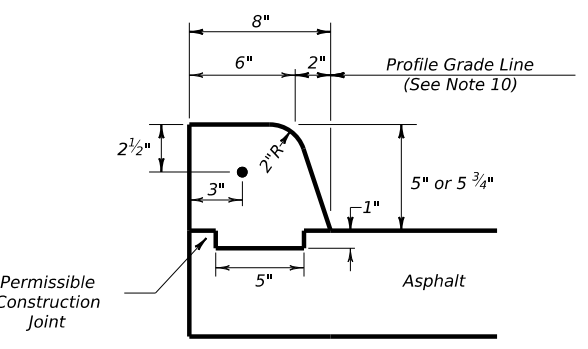
TYPE III CURB (KEYED)
2" - 4" HEIGHT



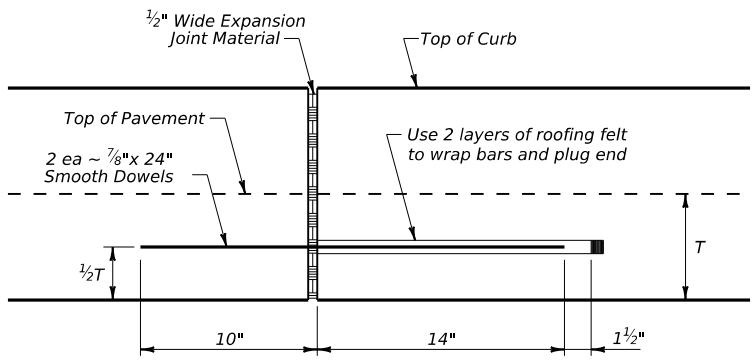
TYPE IIa CURB
5" - 5 3/4" HEIGHT



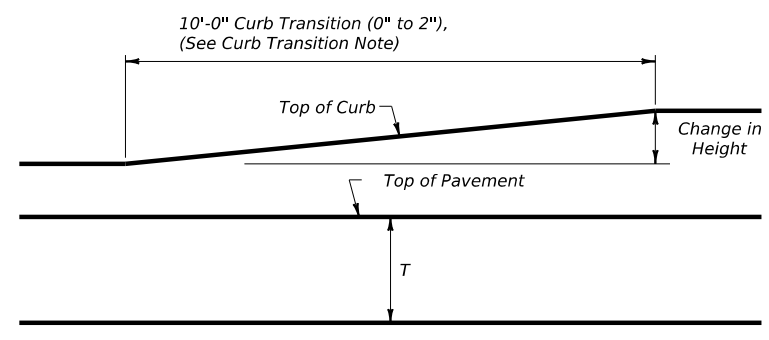
TYPE IIa CURB AND GUTTER
5" - 5 3/4" HEIGHT



TYPE IV CURB (KEYED)
5" - 5 3/4" HEIGHT



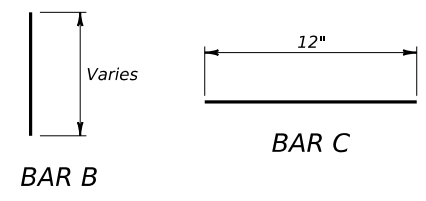
EXPANSION JOINT DETAIL



CURB TRANSITION
Note: To be paid for as Highest Curb

GENERAL NOTES

- All materials and construction shall be in accordance with Item 529, "Concrete Curb, Gutter, and Combined Curb and Gutter."
- Concrete shall be Class A.
- When reinforcing bars are used, they shall be No.4 unless otherwise shown. The use of fiber reinforced concrete in lieu of reinforcing steel is acceptable. Use fibers meeting the requirements of DMS 4550, "Fibers for Concrete," and dose fibers in accordance with Material Producers List (MPL) "Fibers for Class A and B Concrete Applications."
- Round exposed sharp edges with a rounding tool, to a minimum radius of 1/4 inch.
- All existing curbs and driveways to be removed shall be sawed or removed at existing joints.
- Where concrete curb is to be placed on existing concrete pavement, Bar B may be drilled and grouted in place, or may be inserted into fresh concrete.
- Expansion and contraction joints shall be constructed to match pavement joints in all curbs and curb and gutter adjacent to jointed concrete pavement. Where placement of curb or curb and gutter is not adjacent to concrete pavement, expansion joints shall be provided at structures, curb returns at streets, and at locations directed by The Engineer.
- Vertical and horizontal dowel bars and transverse reinforcing bars shall be placed at four feet C-C.
- Dimension 'T' shown is the thickness of concrete pavement. When curb is installed adjacent to flexible pavement dimension 'T' is 8" maximum.
- Usual profile grade line. Refer to typical sections and plan-profile sheets for exact locations.
- One-half inch expansion joint material shall be provided where curb or curb and gutter is adjacent to sidewalk or riprap.
- When horizontal permissible construction joints are used, the longitudinal pavement steel shall be placed in accordance with pavement details shown elsewhere in the plans. Reinforcing steel for curb section shall then conform to that required for concrete curb.
- Bar B placement as needed (typically at four ft. C-C) to support curb reinforcing steel during concrete placement.



CURB TRANSITION NOTE:
Field conditions may require a longer or shorter transition, and shall be shown elsewhere in the plans, or as directed by the Engineer.

		Design Division Standard	
<h2>CONCRETE CURB AND GUTTER</h2>			
<h3>CCCG-22</h3>			
FILE: cccg21.dgn	DN: TxDOT	CK: AN	DW: CS
© TxDOT: JUNE 2022	CONT	SECT	JOB
REVISIONS		HIGHWAY	
DIST	COUNTY	SHEET NO.	