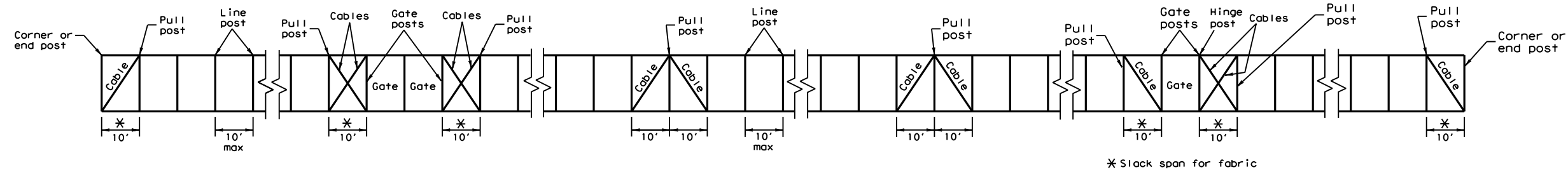
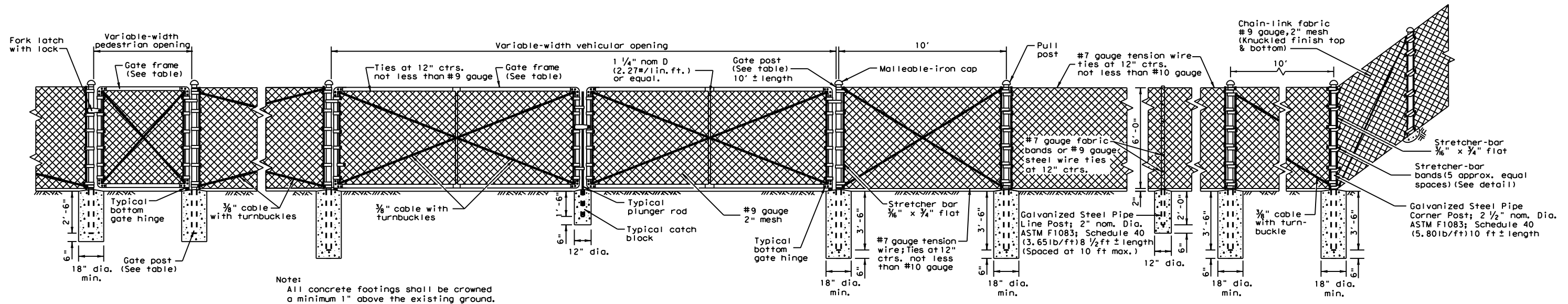


DISCLAIMER: The use of this standard is governed by the "Texas Engineering Practice Act". No warranty of any kind is made by TxDOT for any purpose whatsoever. TxDOT assumes no responsibility for the conversion of this standard to other formats or for incorrect results or damages resulting from its use.



TYPICAL CABLE AND POST ARRANGEMENT

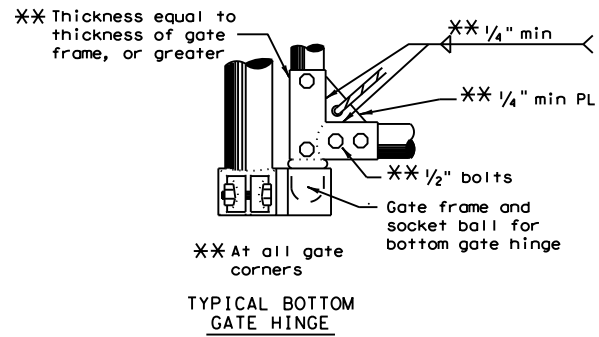
* Slack span for fabric



Note:
All concrete footings shall be crowned a minimum 1" above the existing ground.

CHAIN-LINK BARRIER FENCE (6 FT.)

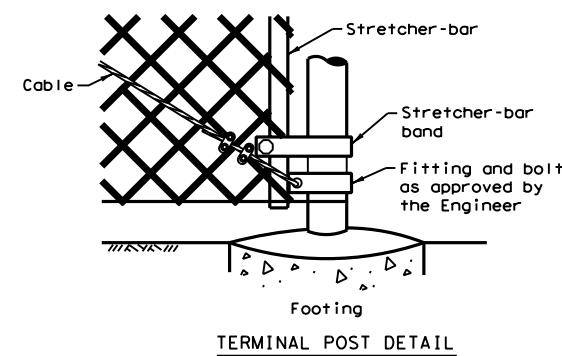
Foundation designs shown are "minimums" for a 6 ft. fence. Taller fences may require larger foundation designs.



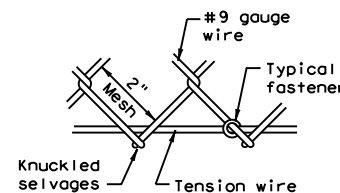
TYPICAL BOTTOM GATE HINGE



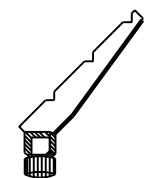
TYPICAL STRETCHER-BAR BAND



TERMINAL POST DETAIL



FABRIC & TENSION WIRE DETAIL, TOP & BOTTOM



"OPTIONAL" 3 WIRE 45° BARBED WIRE ARM

Barbed wire arm related items shall conform to Item 550, "Chain Link Fence."

GENERAL NOTES

- Items hereon shall conform to Item 550, "Chain Link Fence."
- Typical installation plan may vary as shown elsewhere on the plans or as directed by the Engineer. Location of gates shown elsewhere on plans.
- Gate-frame members shall be bolted, at frame corners, to joint fittings with four 1/2" bolts per joint.
- All cable connections are to be made with two 3/8" cable clamps.
- All pull posts and end posts and their foundations shall have the same respective dimensions as those shown for corner post.
- All pull post shall be furnished with two stretcher bars.
- One end of each turnbuckle may be attached directly to fittings with a clevis.
- Concrete footings are to be crowned at the top to shed water.

GATE (TYPES AND SIZES)		GATE FRAME (WEIGHT)		GATE POST (WEIGHT)	
Single Inclusive	Double Inclusive	SIZE	WT./LIN. FT.	SIZE	WT./LIN. FT.
Up to 6'	Up to 12'	1 1/2" nom dia.	2.72 Lbs. or equal	2 1/2" nom dia. or equal	5.79 Lbs.
Over 6' to 12'	Over 12' to 26'			3 1/2" nom dia. or equal	9.11 Lbs.
Over 12' to 18'	Over 26' to 36'			6" nom dia.	18.97 Lbs.
Over 18'	Over 36'			8" nom dia.	24.70 Lbs.

Texas Department of Transportation
 Design Division Standard

CHAIN LINK FENCE

CLF-10

FILE: clf10.dgn	DN: TxDOT	CK: AM	DW: BD	CK: VP
© TxDOT 1996	CONT	SECT	JOB	HIGHWAY
REVISIONS				
DIST		COUNTY		SHEET NO.