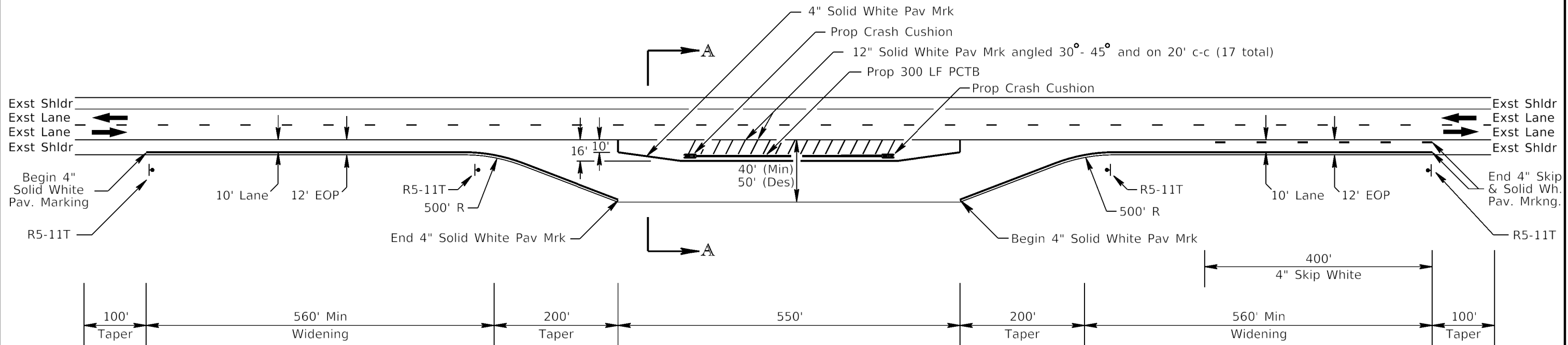


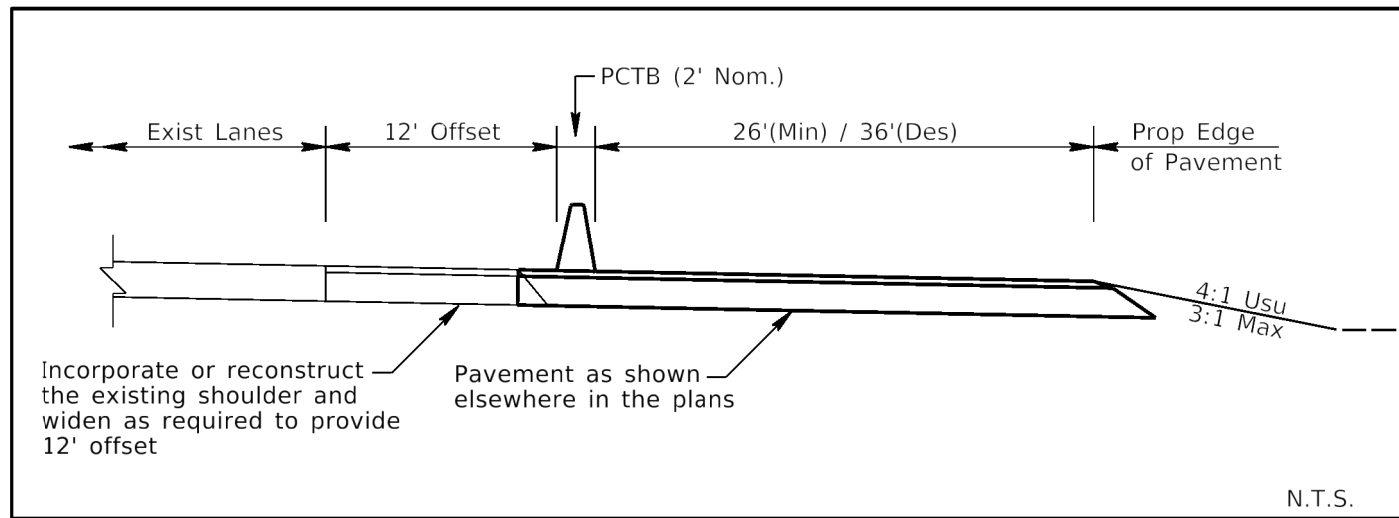
DISCLAIMER: THE USE OF THIS STANDARD IS COVERED BY THE "TEXAS ENGINEERING PRACTICE ACT". NO WARRANTY OF ANY KIND IS MADE BY TxDOT FOR ANY PURPOSE WHATSOEVER. TxDOT ASSUMES NO RESPONSIBILITY FOR THE CONVERSION OF THIS STANDARD TO OTHER FORMATS OR FOR INCORRECT RESULTS OR DAMAGES RESULTING FROM ITS USE.

DATE:
FILE:



Notes:

- 1) This detail is for commercial vehicle inspection with escorted entry and exit by DPS; entry and exit can occur at each access location.
- 2) In determining the proposed location along the roadway, reference TxDOT Access Management Manual for spacing requirements between adjacent driveways and intersections.
- 3) Locate and adjust all conflicting utilities prior to construction.
- 4) Ensure positive drainage and maintain existing drainage patterns.
- 5) For pavement markings, reference TxMUTCD and appropriate traffic standards (e.g., PM(1) & (2)-12, etc). Sign R5-11T shall be installed at each entrance location as shown (4 total).

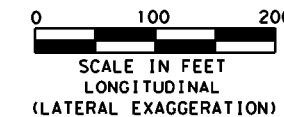


Section A-A

**P.E. SEAL
REQUIRED
DESIGNERS INFORMATION
REQUIRED**



R5-11T



**COMMERCIAL VEHICLE
ENFORCEMENT WIDENING
DETAIL
CVEWD**

© TxDOT: JUNE 2019	CONT	SECT	JOB	HIGHWAY
FILE: cvewd.dgn	DIST	COUNTY	SHEET NO.	