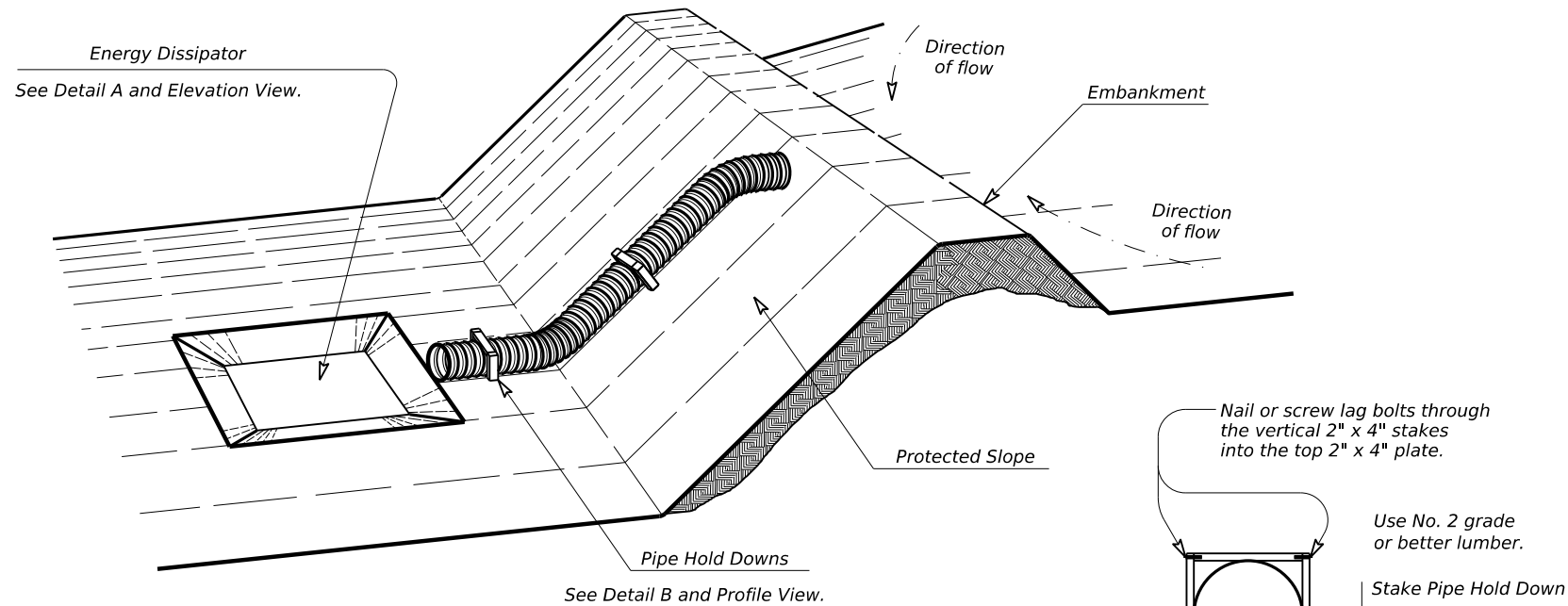
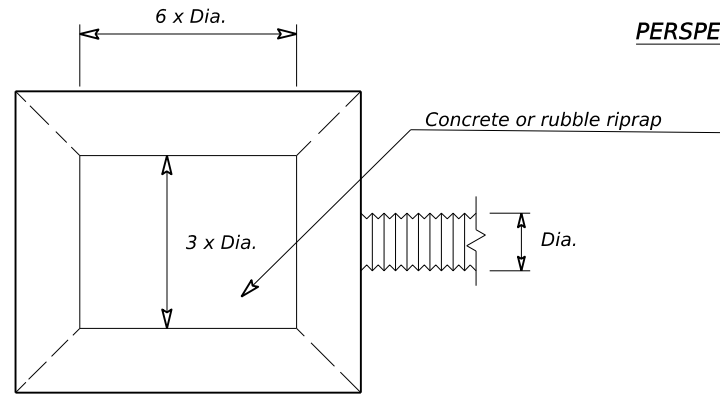


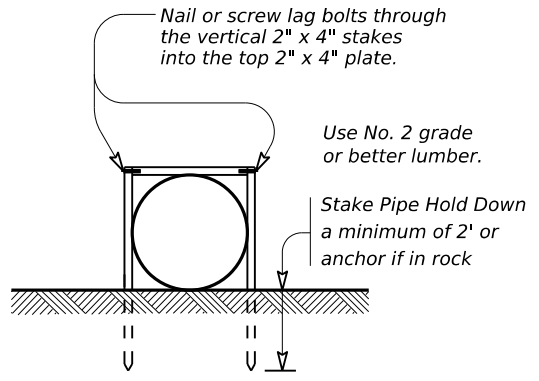
DISCLAIMER: The use of this standard is governed by the "Texas Engineering Practice Act". No warranty of any kind is made by TxDOT for any purpose whatsoever. TxDOT assumes no responsibility for the conversion of this standard to other formats or for incorrect results or damages resulting from its use.



PERSPECTIVE VIEW

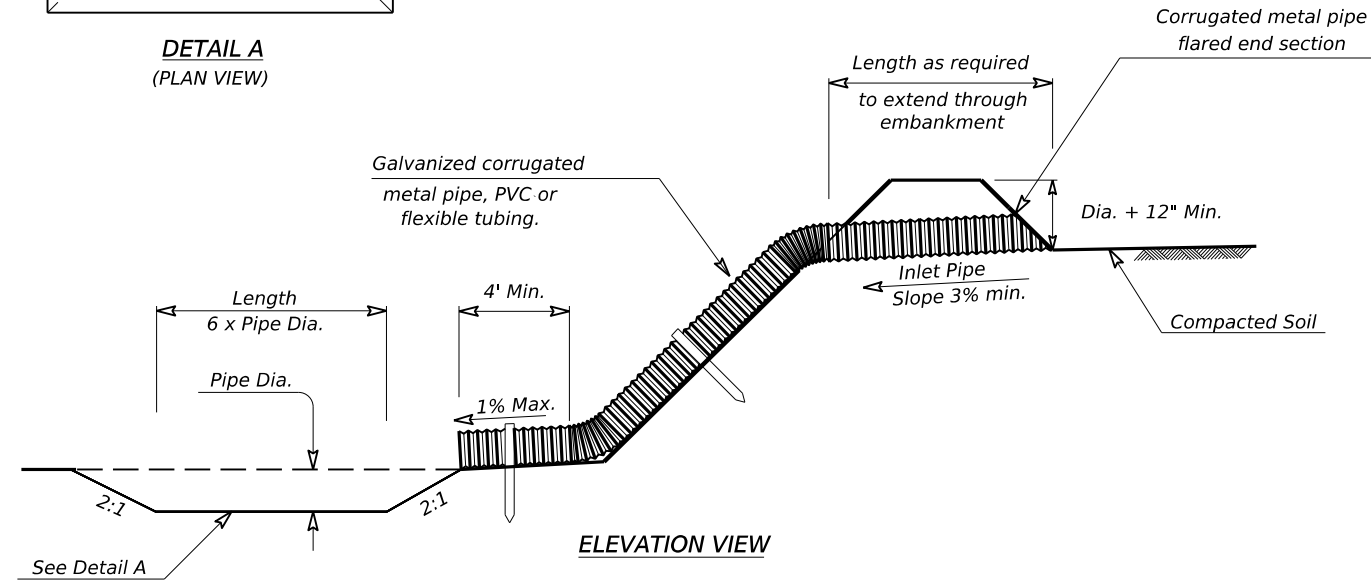


DETAIL A (PLAN VIEW)



DETAIL B (ELEVATION VIEW)

| PIPE SLOPE DRAIN DESIGN CRITERIA |          |                       |
|----------------------------------|----------|-----------------------|
| PIPE/TUBING SIZE                 | DIAMETER | MAXIMUM DRAINAGE AREA |
| PSD 12                           | 12"      | 0.5 Acres             |
| PSD 18                           | 18"      | 1.5 Acres             |
| PSD 21                           | 21"      | 2.5 Acres             |
| PSD 24                           | 24"      | 3.5 Acres             |
| PSD 30                           | 30"      | 5.0 Acres             |



ELEVATION VIEW

PIPE SLOPE DRAIN WITH ENERGY DISSIPATOR

PSD

GENERAL NOTES

1. The inlet pipe shall have a slope of 3 percent or greater. Pipe diameter shall be as indicated on the construction drawings.
2. The top of embankment shall be at least 12" higher than the top of the inlet pipe at all points.
3. The pipe shall be galvanized corrugated metal pipe, PVC, or flexible tubing with watertight connection bands.
4. Pipe shall be secured with hold-down grommets spaced a maximum of 10' on centers or with pipe hold downs as shown in Detail B.
5. Construct embankment for the drainage system in 8" lifts to the required elevations. Hand tamp the soil around and under the entrance section to the top of the embankment as shown on the plans or as directed by the engineer.
6. The sediment trap shall be constructed to the dimensions as shown and in accordance with Special Specification, "Earthwork for Erosion Control". As otherwise detailed on the plans, the sediment trap may be stabilized using concrete or rubble riprap as per Item, "Riprap".
7. A standard corrugated metal pipe flared end section shall be used at the entrance of the pipe slope drain.
8. The guidelines shown hereon are suggestions only and may be modified by the Engineer.

PIPE SLOPE DRAIN USAGE GUIDELINES

A Pipe Slope Drain (PSD) should be constructed to drain concentrated surface runoff safely down slopes without causing erosion. The drainage area contributing runoff to a PSD should not exceed 5 acres. The PSD should be sized to drain the peak rate of runoff without overtopping at the earth dike entrance. A 25 year storm frequency may be used to calculate the flow rate.

PLAN SHEET LEGEND



|   |           |                          |        |
|---|-----------|--------------------------|--------|
|   |           | Design Division Standard |        |
| <b>TEMPORARY EROSION, SEDIMENT AND WATER POLLUTION CONTROL MEASURES</b><br><b>TEMPORARY PIPE SLOPE DRAINS</b><br><b>EC (7) - 16</b> |           |                          |        |
| FILE: ec716.dgn   | DN: TxDOT | CK: KM                   | DW: VP |
| © TxDOT: JULY 2016  | CONT      | SECT                     | JOB    |
| REVISIONS   |           | HIGHWAY                  |        |
| DIST  | COUNTY    | SHEET NO.                |        |

DATE:  
FILE: