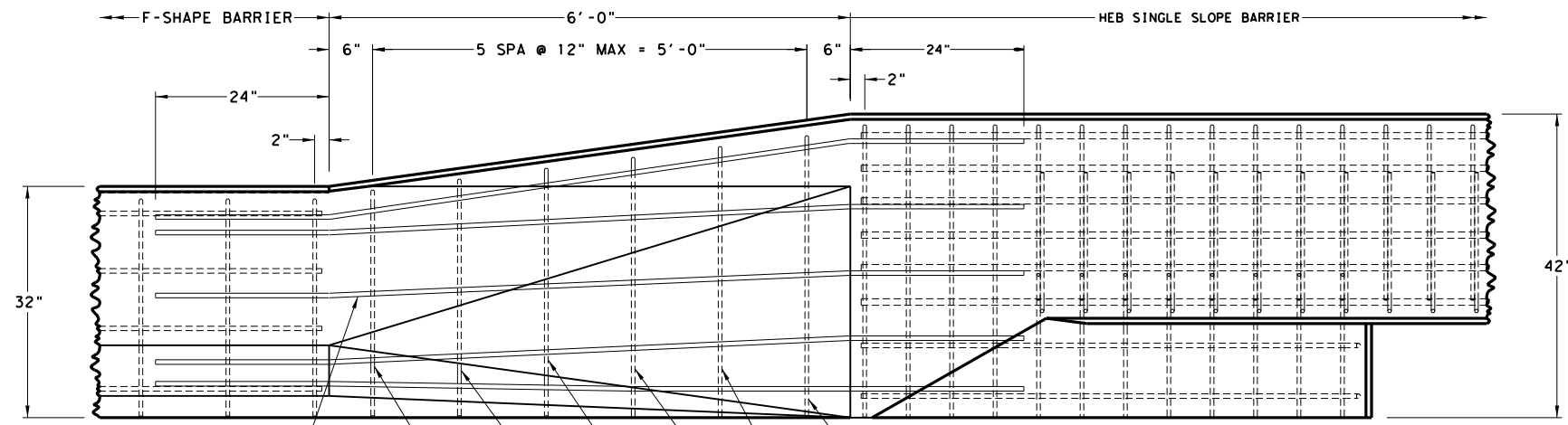


DISCLAIMER: THIS STANDARD IS GOVERNED BY THE "TEXAS ENGINEERING PRACTICE ACT". NO WARRANTY OF ANY KIND IS MADE BY TXDOT FOR ANY PURPOSE WHATSOEVER. TXDOT ASSUMES NO RESPONSIBILITY FOR THE CONVERSION OF THIS STANDARD TO OTHER FORMATS OR FOR INCORRECT RESULTS OR DAMAGES RESULTING FROM ITS USE.

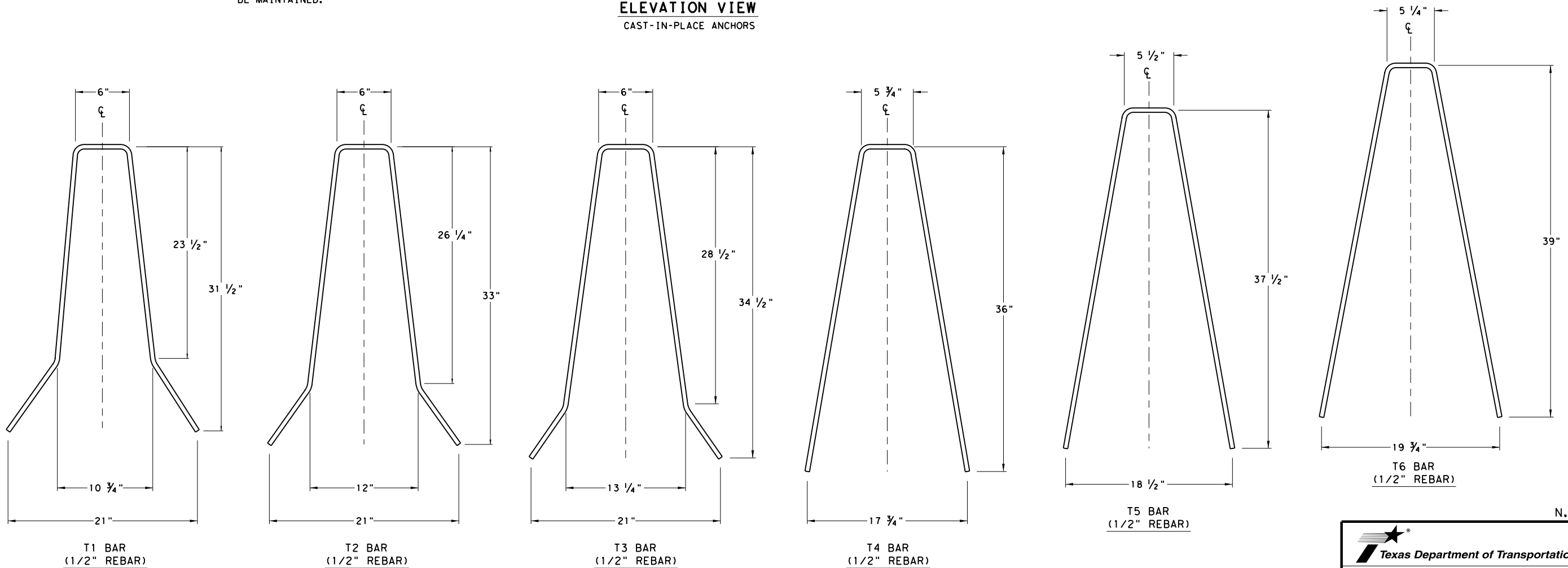
DATE:
FILE:



5/8" REBAR X 5
EACH FACE FIELD
BEND AS NEEDED.
A MINIMUM OF 1-3/4"
CONCRETE COVER SHOULD
BE MAINTAINED.

NOTE:
1. SEE HYDRAULICALLY EFFICIENT BARRIER (HEB) (FLEXIBLE PAVEMENT)
AND CAST-IN-PLACE TYPE F STANDARD (FLEXIBLE) FOR APPLICABLE
DETAILS AND INFORMATION ON ABUTTING BARRIER TYPES.

ELEVATION VIEW
CAST-IN-PLACE ANCHORS



T6 BAR
(1/2" REBAR)

T5 BAR
(1/2" REBAR)

T4 BAR
(1/2" REBAR)

T3 BAR
(1/2" REBAR)

T2 BAR
(1/2" REBAR)

T1 BAR
(1/2" REBAR)

GENERAL NOTES

1. CONCRETE SHALL BE CLASS C. UNLESS OTHERWISE SPECIFIED IN THE PLANS. CONCRETE STRENGTH IS 3600 PSI.
2. THESE DETAILS COVER BARRIER PER ITEM 514, "PERMANENT CONCRETE TRAFFIC BARRIER".
3. 1" CHAMFER (3/4" EACH WAY) ON EDGES OF PARAPET AND CORNERS OF POSTS WHERE INDICATED.
4. SOME REBAR NOT SHOWN FOR CLARITY.
5. ALL REBAR IS GRADE 60 AND SHALL CONFORM TO ASTM A615. REBAR DIMENSIONS IN ELEVATION AND SECTION VIEW ARE TO CENTER UNLESS OTHERWISE INDICATED BY "CVR" (COVER).

N. T. S.

		Design Division Standard	
TRANSITION F-SHAPE TO HEB SINGLE SLOPE CAST-IN-PLACE (FLEXIBLE PAVEMENT) TL-3 MASH COMPLIANT FSHEBSS (TR2) - 21			
FILE: fshebsstr221.dgn	DN: TXDOT	CK: KM	DW: AG
©TXDOT: FEBRUARY 2021	CONT	SECT	JOB
REVISIONS		HIGHWAY	
DIST	COUNTY	SHEET NO.	