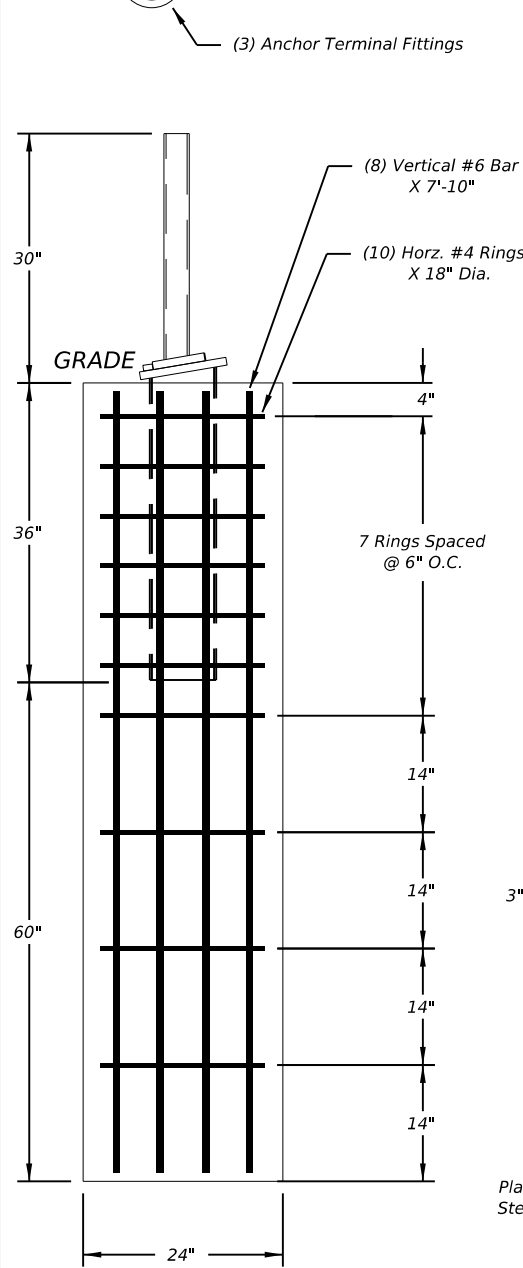
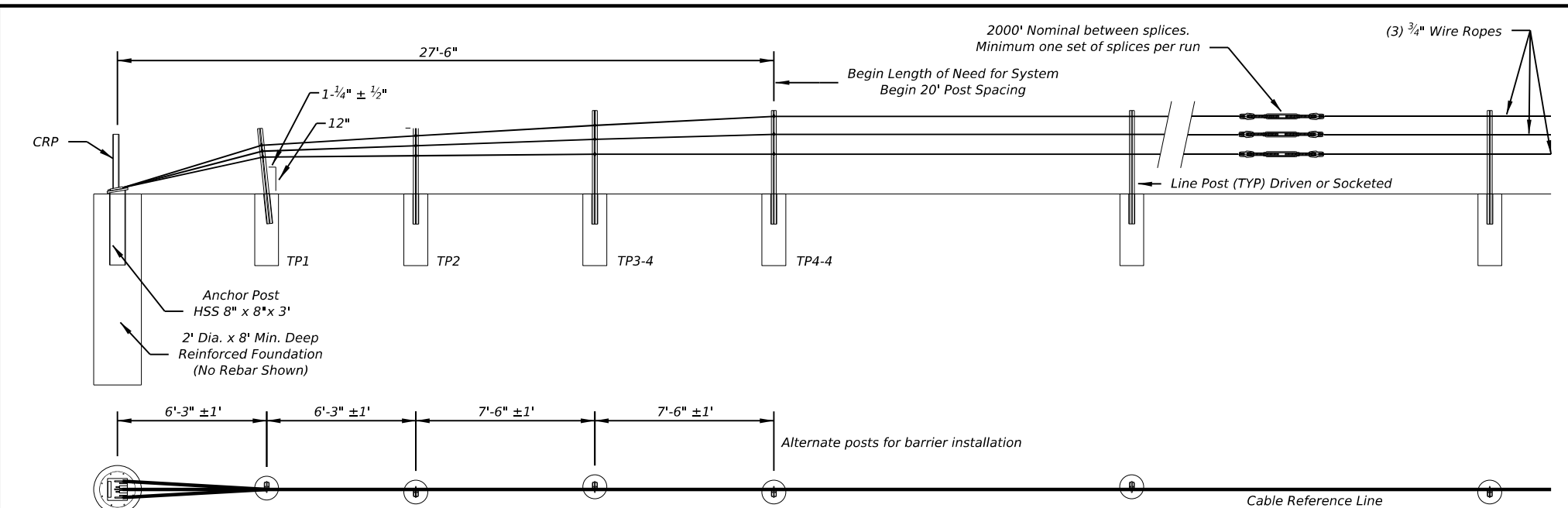
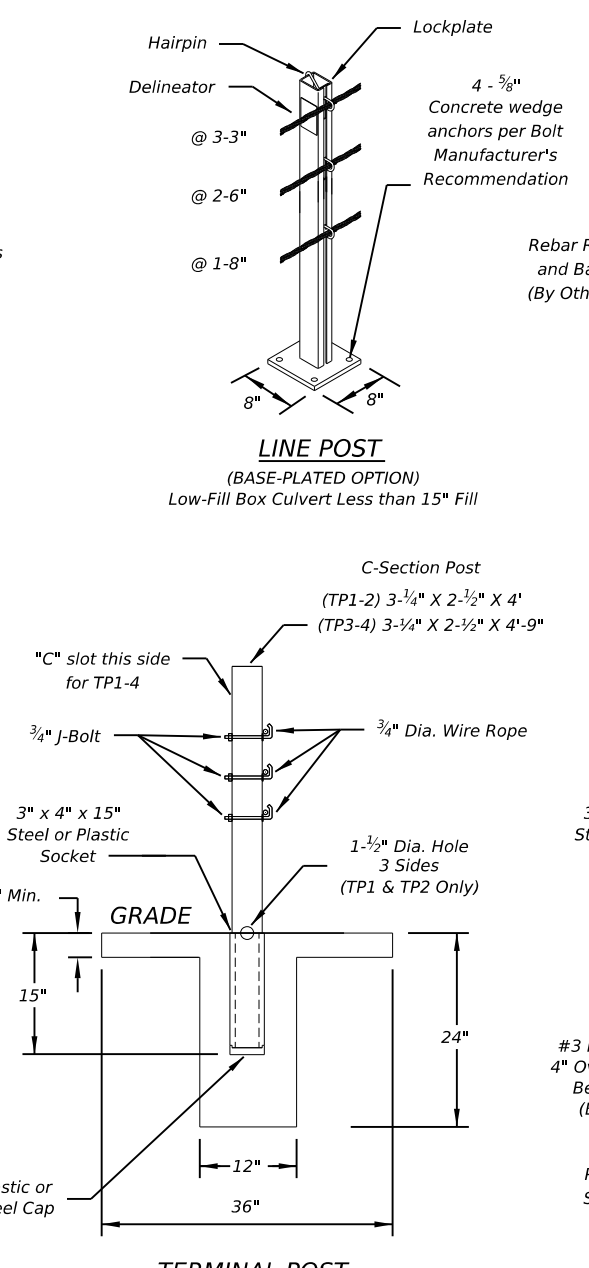


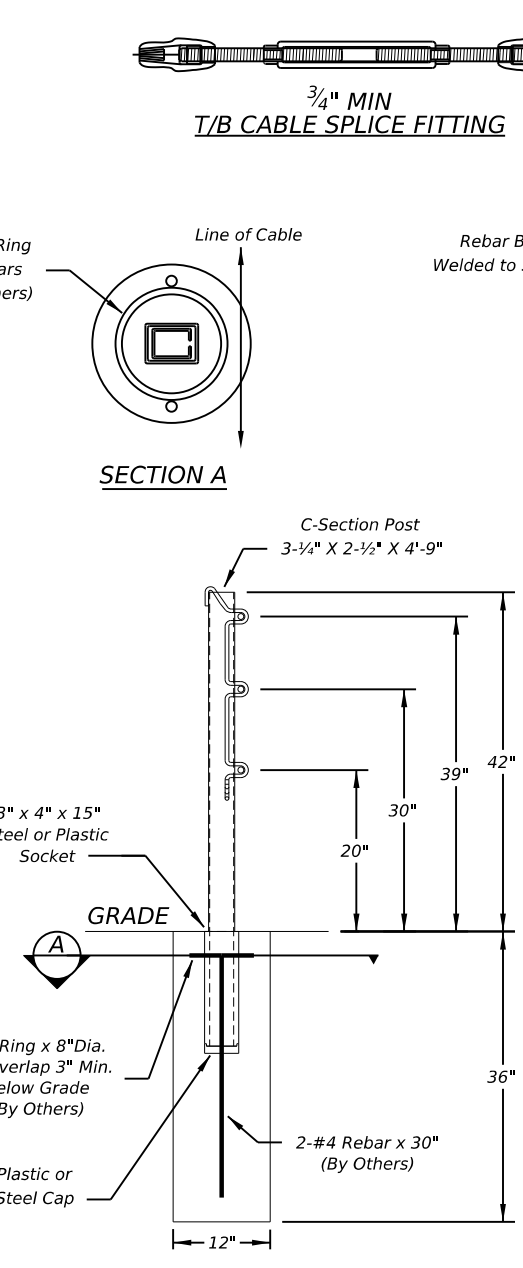
DISCLAIMER: The use of this standard is governed by the "Texas Engineering Practice Act". No warranty of any kind is made by TxDOT for any purpose whatsoever. TxDOT assumes no responsibility for the conversion of this standard to other formats or for incorrect results or damages resulting from its use.



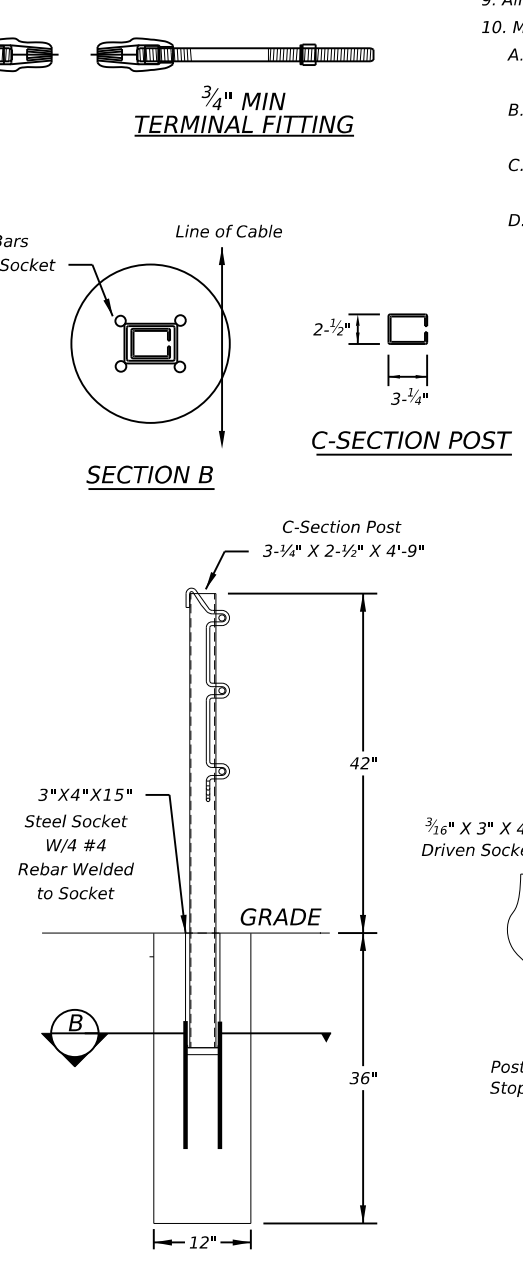
CABLE RELEASE AND ANCHOR POST



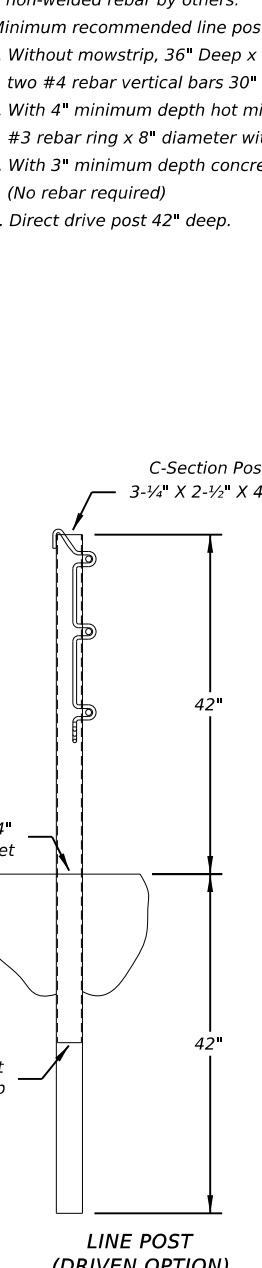
LINE POST (BASE-PLATED OPTION)
(Shown with Tube Plate Option)
(See Note 10)



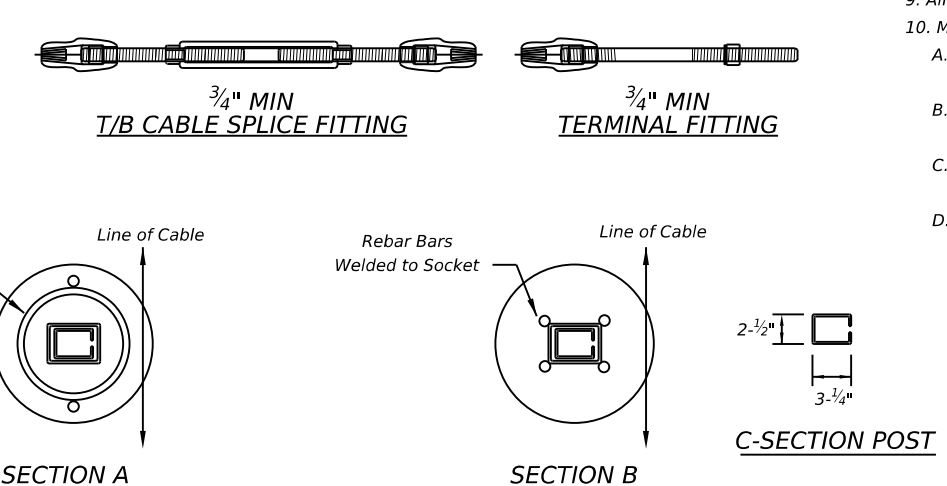
LINE POST SOCKETED
(Shown with Rebar Ring/Bars Socket Option)
(See Note 9)



LINE POST SOCKETED
(Shown with Welded Rebar Socket Option)
(See Note 9)



LINE POST (DRIVEN OPTION)
(Shown with Driven Socket Option)
(See Note 9)



- GENERAL NOTES**
- For additional information contact Gibraltar, Inc. at 1-800-495-8957, 830-798-5444, or see the manufacturer's product manual.
 - All concrete shall be CLASS A.
 - The Cable Barrier System shall be installed on shoulders or on medians with slopes of 6:1 or flatter. If installed on slopes steeper than 6:1 up to 4:1 the TL-4 system performs as a TL-3 and Gibraltar must be contacted for various guidelines related to placement.
 - The Cable Barrier System is accepted by the FHWA Test Level - 4.
 - See the Texas MUTCD for proper "Barrier" delineation.
 - Rock Clause: Where solid rock is encountered:
 - For socketed post, continue digging 12" diameter, 15" deep into rock or the required plan depth, whichever comes first.
 - For driven post, core drill a 4" diameter hole 18" deep into rock or the required plan depth, whichever comes first.
 - For Anchor post, continue digging 24" diameter, 30" deep into rock or the required plan depth, whichever comes first.
 - Tolerances:
 - * LP = 3" out of plumb, at top
 - * Cable height = ±1"
 - * Anchor Post = ±5" off of Cable Reference Line
 - The Gibraltar cable barrier system shall be installed in NCHRP Report 350 standard compacted soil. Soil must be well drained.
 - All non-welded rebar by others.
 - Minimum recommended line post foundation.
 - Without mowstrip, 36" Deep x 12" diameter foundations with #3 rebar ring x 8" diameter with two #4 rebar vertical bars 30" long
 - With 4" minimum depth hot mix asphalt, 30" deep x 12" diameter foundations with #3 rebar ring x 8" diameter with two #4 rebar vertical bars 30" long.
 - With 3" minimum depth concrete mowstrip, 24" deep x 12" diameter foundations. (No rebar required)
 - Direct drive post 42" deep.

Temperature (°F)	Tension
-10 °F	8000
0 °F	7600
10 °F	7200
20 °F	6800
30 °F	6400
40 °F	6000
50 °F	5600
60 °F	5200
70 °F	4800
80 °F	4400
90 °F	4000
100 °F	3600
110 °F	3200

Deflection	Post Spacing
8'-0"	20 FT
7'-0"	12 FT
6'-8"	10 FT

* Allowable Deviation from Chart ± 10%

Texas Department of Transportation

Design Division Standard

GIBRALTAR CABLE BARRIER SYSTEM (TL-4)

GBRL TR (TL4) - 14

FILE: gbrltr1414.dgn	DN: TxDOT	CK: RM	DW: VP	CK:
© TxDOT: March 2014	CONT	SECT	JOB	HIGHWAY
REVISIONS		DIST	COUNTY	SHEET NO.

DATE: FILE: