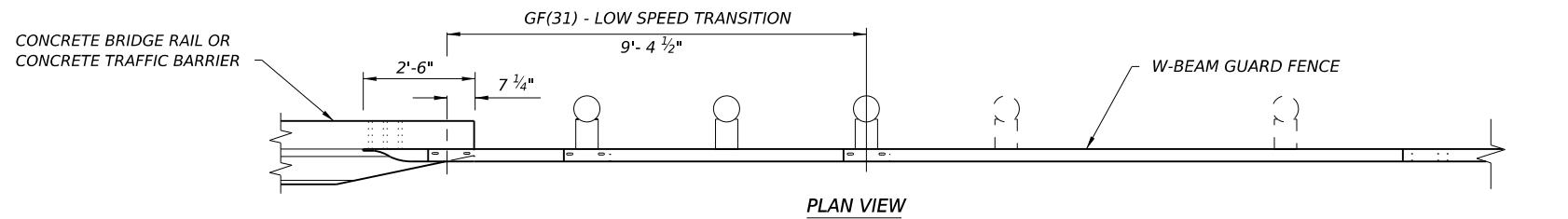


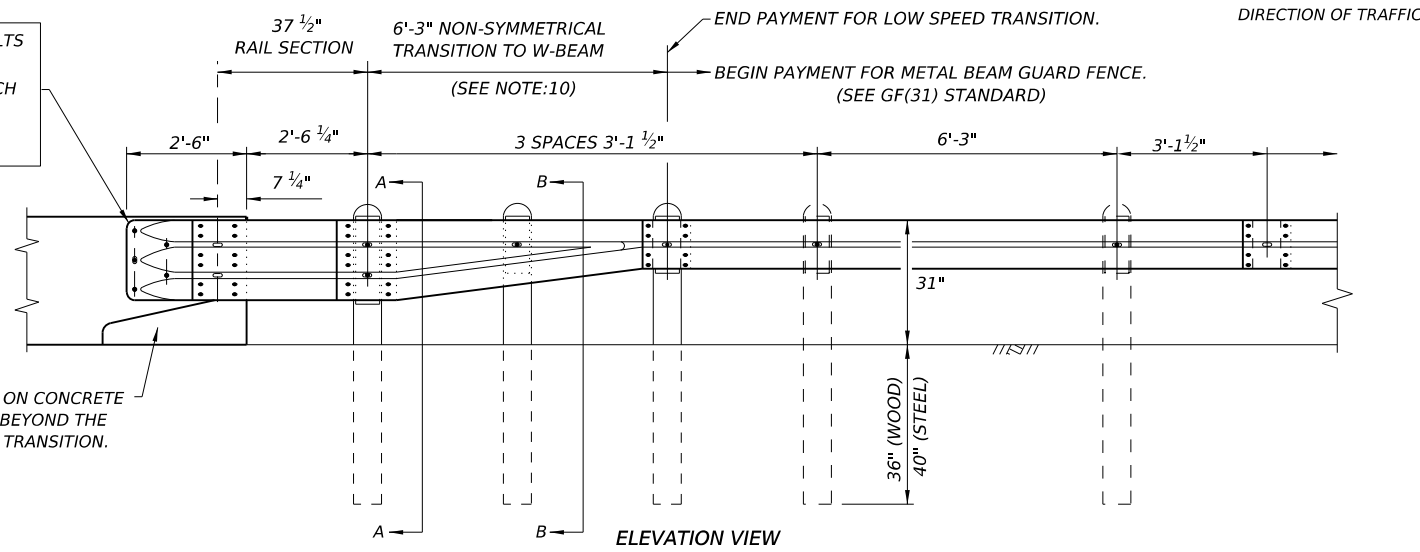
DISCLAIMER: THE USE OF THIS STANDARD IS GOVERNED BY THE TEXAS ENGINEERING PRACTICE ACT. NO WARRANTY OF ANY KIND IS MADE BY TxDOT FOR ANY PURPOSE WHATSOEVER. TxDOT ASSUMES NO RESPONSIBILITY FOR THE CONVERSION OF THIS STANDARD TO OTHER FORMATS OR FOR INCORRECT RESULTS OR DAMAGES RESULTING FROM ITS USE.



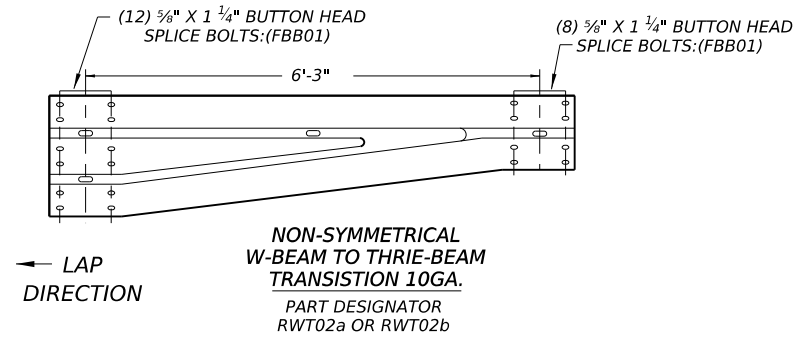
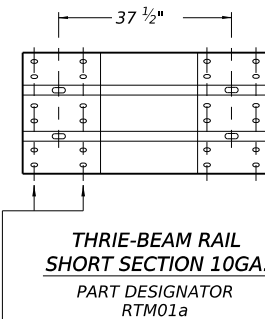
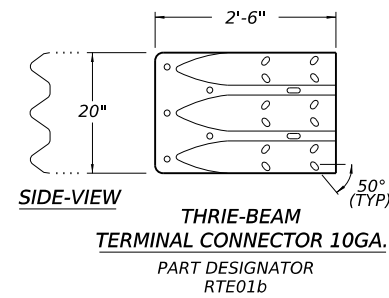
- (5) 7/8" DIA. HEAVY HEX HEAD BOLTS (ASTM A325 OR A449)
 - (10) 1 3/4" O.D. WASHER UNDER EACH HEX BOLT HEAD AND NUT.
 - (5) 7/8" DIA. HEAVY HEX NUTS (ASTM A194 OR A563)
- THRIE-BEAM CONNECTOR TO CONCRETE RAIL

NOTE: HEAVY HEX BOLT LENGTH WILL VARY DEPENDING ON WIDTH CONCRETE RAIL, LEAVE 1" OF BOLT LENGTH PAST THE 7/8" HEX NUT. TRIM AS REQUIRED.

NOTE: CHAMFER REQUIRED ON CONCRETE RAILS THAT EXTEND BEYOND THE FACE OF GUARDRAIL TRANSITION.



- GENERAL NOTES**
- THE TYPE OF POST (ROUND WOOD POST, RECTANGULAR WOOD POST, OR STEEL POST) WILL BE AS SHOWN IN THE PLANS. THE EXACT POSITION OF TRANSITIONS SHALL BE AS SHOWN IN THE PLANS OR AS DIRECTED BY THE ENGINEER. REFER TO GF(31) STANDARD SHEET.
 - RAIL ELEMENT SHALL MEET THE REQUIREMENTS OF ITEM 540, "METAL BEAM GUARD FENCE" EXCEPT AS MODIFIED IN THE PLANS.
 - FITTINGS (BOLTS, NUTS, AND WASHERS) SHALL BE GALVANIZED IN ACCORDANCE WITH ITEM 445, "GALVANIZING." FITTINGS SHALL BE SUBSIDIARY TO THE BID ITEM REQUIRING CONSTRUCTION OF THE TRANSITION.
 - BUTTON HEAD "POST BOLTS & NUTS" SHALL MEET THE REQUIREMENTS OF (ASTM A307), AND SHALL BE OF SUFFICIENT LENGTH TO EXTEND THROUGH THE FULL THICKNESS OF THE NUT AND 3/8" WASHER (FWC16a) AND NOT MORE THAN 1" BEYOND IT. TRIM BOLT LENGTH TO MEET REQUIRED LENGTH.
 - POSTS SHALL NOT BE SET IN CONCRETE, OF ANY DEPTH.
 - CROWN SHALL BE WIDENED TO ACCOMMODATE TRANSITIONS.
 - WHERE SOLID ROCK IS ENCOUNTERED, CONTACT THE DESIGN DIVISION FOR ADDITIONAL GUIDANCE. (512) 416-2678
 - UNLESS OTHERWISE SHOWN IN THE PLANS, A COMPOSITE MATERIAL BLOCK THAT MEETS THE REQUIREMENTS OF DMS-7210, "COMPOSITE MATERIAL POSTS AND BLOCKS FOR METAL BEAM GUARD FENCE" MAY BE SUBSTITUTED FOR BLOCKS OF SIMILAR DIMENSIONS. THE CONSTRUCTION DIVISION, TxDOT, MAINTAINS A MATERIAL PRODUCER LIST (MPL) FOR PRODUCERS OF MATERIALS CONFORMING TO DMS-7210. ONLY PRODUCERS ON THE MPL CAN FURNISH COMPOSITE MATERIAL BLOCKS.
 - REFER TO GF(31) STANDARD SHEET & BRIDGE RAILING DETAILS FOR ADDITIONAL DETAILS.
 - FOR ROUND WOOD POSTS SYSTEMS, ALL ROUND WOOD POSTS SHALL BE 7 1/2" DIA. MINIMUM THROUGHOUT THE TRANSITION.

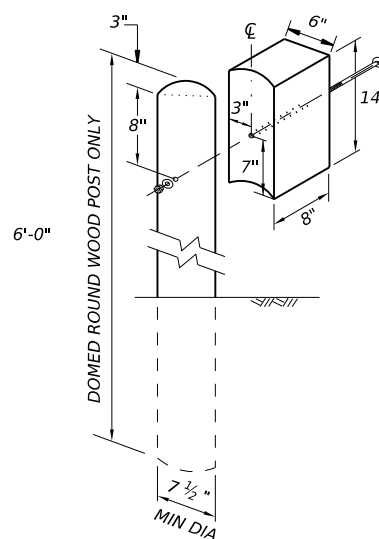
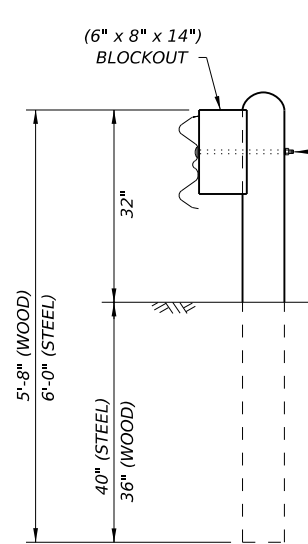
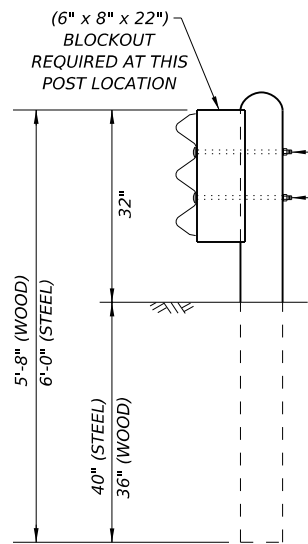


- (2) 7/8" BUTTON HEAD POST BOLTS & NUTS: (FBB04)
- (1) 7/8" FLAT WASHER: (FWC14a) UNDER EACH NUT

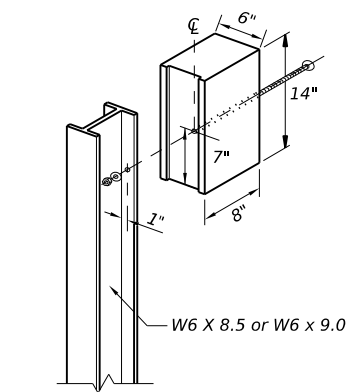
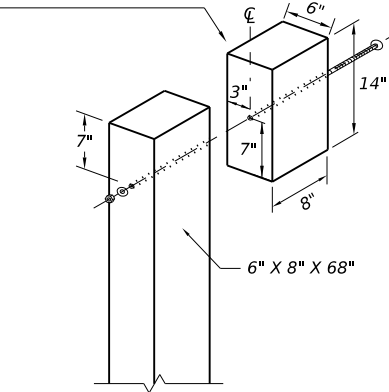
- (1) 7/8" BUTTON HEAD POST BOLT & NUT: (FBB04)
- (1) 7/8" FLAT WASHER: (FWC14a) UNDER EACH NUT

PLATE WASHER INSTRUCTIONS

BRIDGE APPROACH - UPSTREAM: THE SHORT RAIL LAPS OVER THE TERMINAL CONNECTOR. PLATE WASHERS ARE INSTALLED UNDER THE SPLICE NUTS AGAINST INSIDE OF CONNECTOR.
BRIDGE EXIT - DOWNSTREAM: THE TERMINAL CONNECTOR LAPS OVER THE NESTED RAIL. PLATE WASHERS ARE INSTALLED UNDER THE BOLT HEAD AGAINST OUTSIDE OF CONNECTOR.



NOTE: TOENAIL WITH ONE 16D GALV. NAIL TO PREVENT BLOCK ROTATION.



NOTE: *WOOD* INDICATES DIMENSIONS FOR BOTH ROUND AND RECTANGULAR WOOD POST SYSTEMS.

LOW-SPEED TRANSITION

		Design Division Standard	
METAL BEAM GUARD FENCE THRIE-BEAM TRANSITION TL-2 MASH COMPLIANT GF(31) TR TL2-19			
FILE: gf31tr+1219.dgn	DN: TxDOT	CK: KM	DW: VP
© TxDOT: NOVEMBER 2019	CONT	SECT	JOB
REVISIONS		HIGHWAY	
DIST	COUNTY	SHEET NO.	

DATE: FILE: