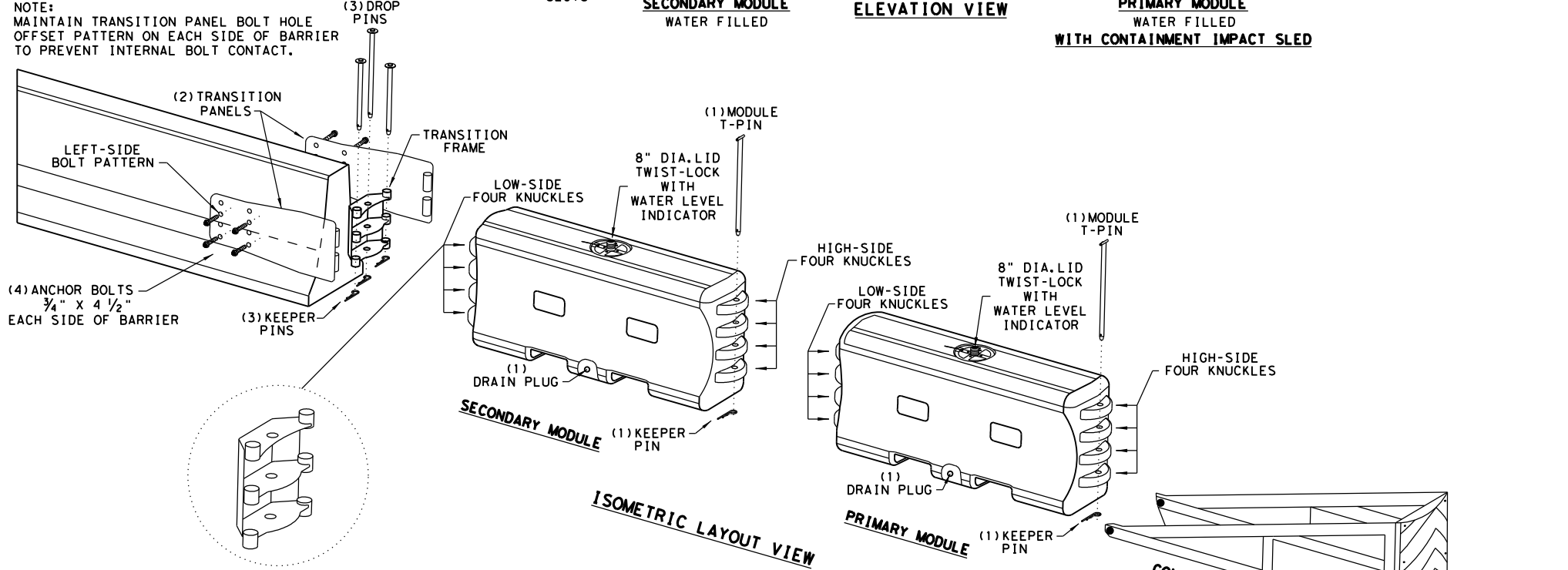
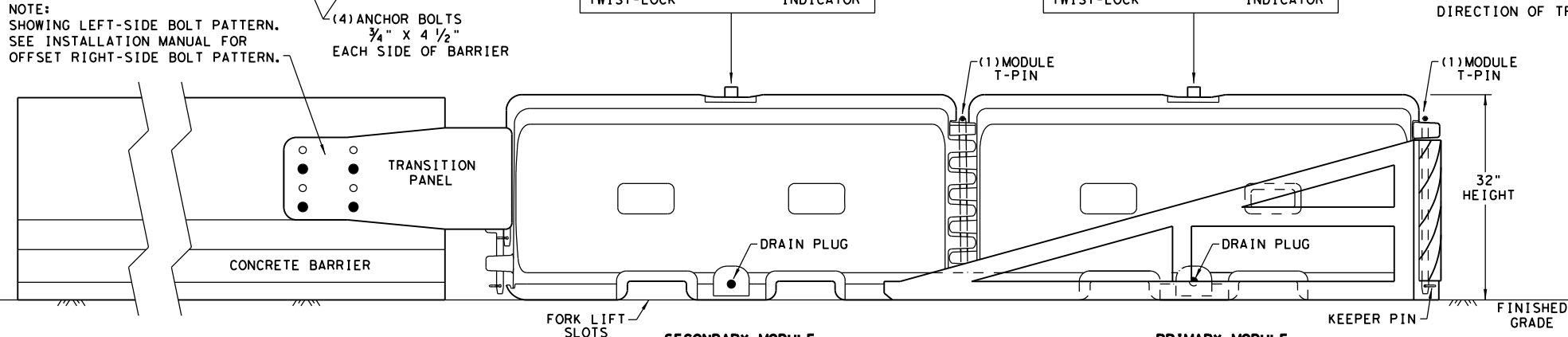
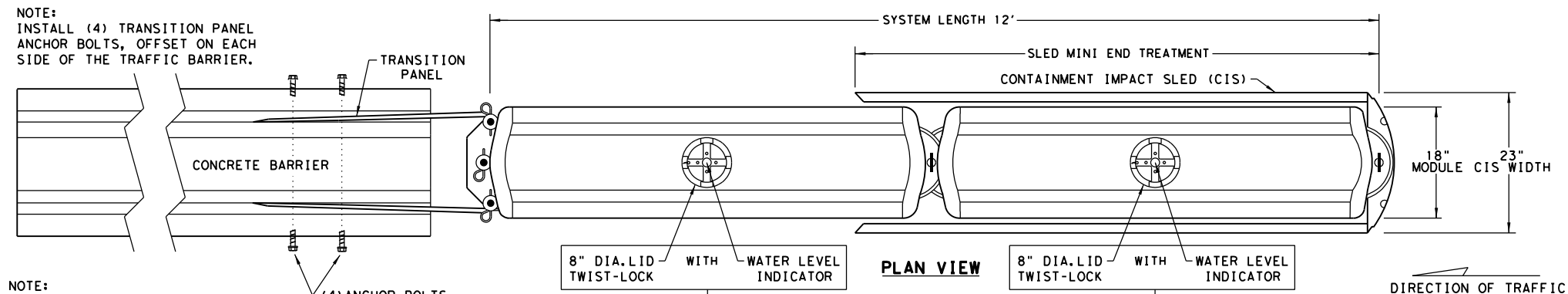
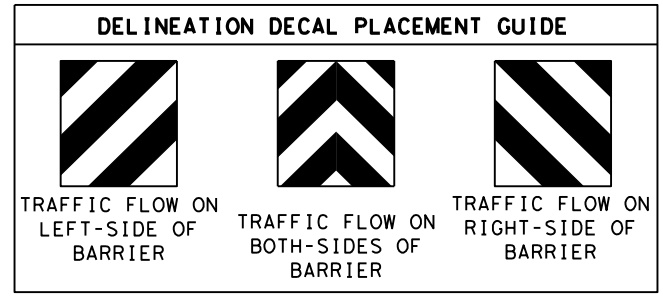


DISCLAIMER: THIS STANDARD IS GOVERNED BY THE "TEXAS ENGINEERING PRACTICE ACT". NO WARRANTY OF ANY KIND IS MADE BY TxDOT FOR ANY PURPOSE WHATSOEVER. TxDOT ASSUMES NO RESPONSIBILITY FOR THE CONVERSION OF THIS STANDARD TO OTHER FORMATS OR FOR INCORRECT RESULTS OR DAMAGES RESULTING FROM ITS USE.



TRANSITION FRAME
NOTE: TRANSITION FRAME SITS ON LOW-SIDE (TOP KNUCKLE).



* NOTE: ENGINEER OR CONTRACTOR SHALL COORDINATE WITH THE MANUFACTURER FOR THE CORRECT DECAL PER TRAFFIC FLOW, LEFT, RIGHT OR BOTH-SIDES.

NOTE: APPLY A HIGH REFLECTIVE DECAL TO THE NOSE PLATE. DELINEATION DECAL ORIENTATION IS SHOWN ON THE CONSTRUCTION PLAN SET AND SHALL BE IN ACCORDANCE WITH THE TEXAS MUTCD FOR TRAFFIC CONTROL DEVICES. DECALS ARE AVAILABLE FOR TRAFFIC FLOW ON THE LEFT-SIDE, BOTH -SIDES AND RIGHT-SIDE. THE ORIENTATION BETWEEN THE LEFT-SIDE AND RIGHT-SIDE TRAFFIC IS CHANGED BY ROTATING THE DECAL 90 DEGREES AND REINSTALLING.

NOTE: THIS STANDARD IS A BASIC REPRESENTATION OF THE SLED MINI, IT IS NOT INTENDED TO REPLACE THE INSTALLATION INSTRUCTIONS MANUAL.

GENERAL NOTES

- FOR SPECIFIC INFORMATION REGARDING INSTALLATION AND TECHNICAL GUIDANCE OF THE SYSTEM, CONTACT TroFFix Devices, Inc. AT 1(949)361-5663
- THE SLED MINI IS A MASH APPROVED TEST LEVEL 2 (TL-2) CRASH CUSHION APPROVED FOR USE WITHIN TEMPORARY WORK ZONE LOCATIONS. TL-2 IS APPROVED FOR SPEEDS OF 45 MPH OR LESS.
- THE SLED MINI IS A GATING, NON-REDIRECTIVE CRASH CUSHION THAT DOES NOT NEED TO BE BOLTED TO THE GROUND AND CAN BE INSTALLED ON CONCRETE, ASPHALT, GRAVEL OR COMPACTED SOIL.
- THE INSTALLATION AREA SHOULD BE FREE FROM CURBS, ELEVATED OBJECTS, AND DEPRESSIONS.
- THE SLED MINI CAN BE ATTACHED TO CONCRETE BRIDGE ABUTMENTS, CONCRETE BARRIER, STEEL BARRIER AND PLASTIC BARRIER.

SLED MINI TL-2 - BILL OF MATERIALS		
QTY:	PART #	PART DESCRIPTIONS
2	45332-MY	WATER FILLED MODULE
2	45032-CPGAL	T-PINS - LENGTH 26" WITH KEEPER PINS - FOR MODULES
2	18009-B-I	WATER LEVEL INDICATOR FLOAT LID
1	45032-S	CONTAINMENT IMPACT SLED (CIS)
2	45151	UNIVERSAL TRANSITION PANELS
1	45132	TRANSITION FRAME
1	45141	DROP PIN - LENGTH 26.50" WITH KEEPER PIN
2	45142	DROP PINS - LENGTH 18.50" WITH KEEPER PINS
8	45050	TRANSITION PANEL ANCHOR BOLTS 3/4" X 4 1/2" (4 EA. SIDE)

MODULE SPECIFICATIONS	(CIS) SPECIFICATIONS
LENGTH: 73" (PIN TO PIN)	LENGTH: 87 1/8"
HEIGHT: 32"	HEIGHT: 32"
WIDTH: 18"	WIDTH: 23"
EMPTY WEIGHT: 110 lbs.	APPROX. WEIGHT: 1250 lbs.
FILLED WEIGHT: 1100 lbs.	
FILL CAPACITY: 118.5 Gal	

NOTES:
* SEE DELINEATION GUIDE FOR DECAL PLACEMENT.
* SEE INSTALLATION MANUAL FOR CUSTOMIZED DELINEATION NOSE SHEETING FOR DECAL PLACEMENT.

Texas Department of Transportation
Design Division Standard

**SLED MINI
END TREATMENT
TL-2 MASH COMPLIANT
(TEMPORARY, WORK ZONE)
SLEDMINI-19**

FILE: sledmini19	DN: TxDOT	CK: KM	DN: VP	CK:
© TxDOT: DECEMBER 2019	CONT	SECT	JOB	HIGHWAY
REVISIONS				
DIST	COUNTY	SHEET NO.		

SACRIFICIAL

DATE:
FILE: