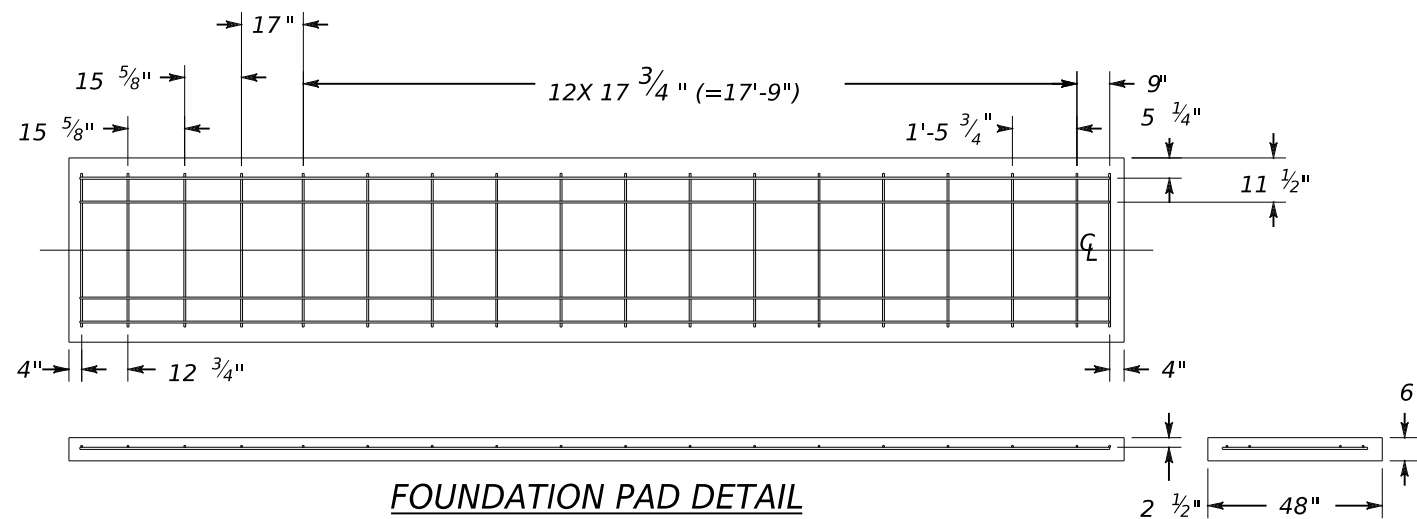
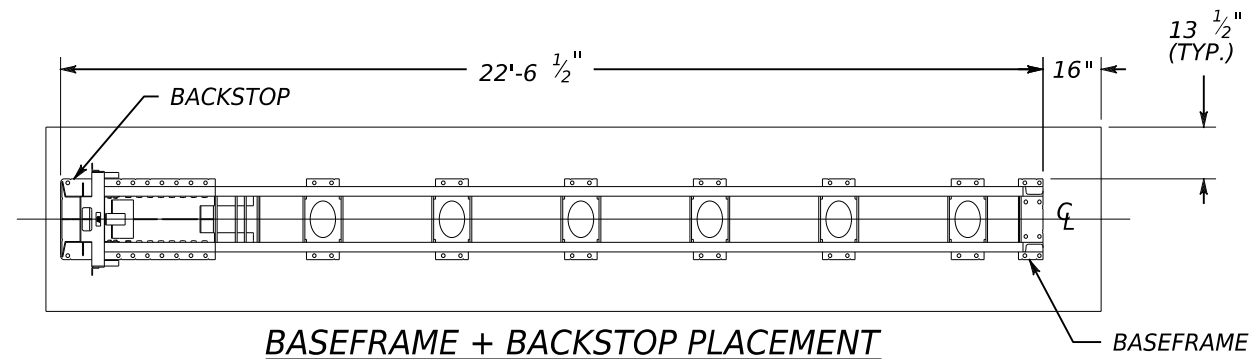
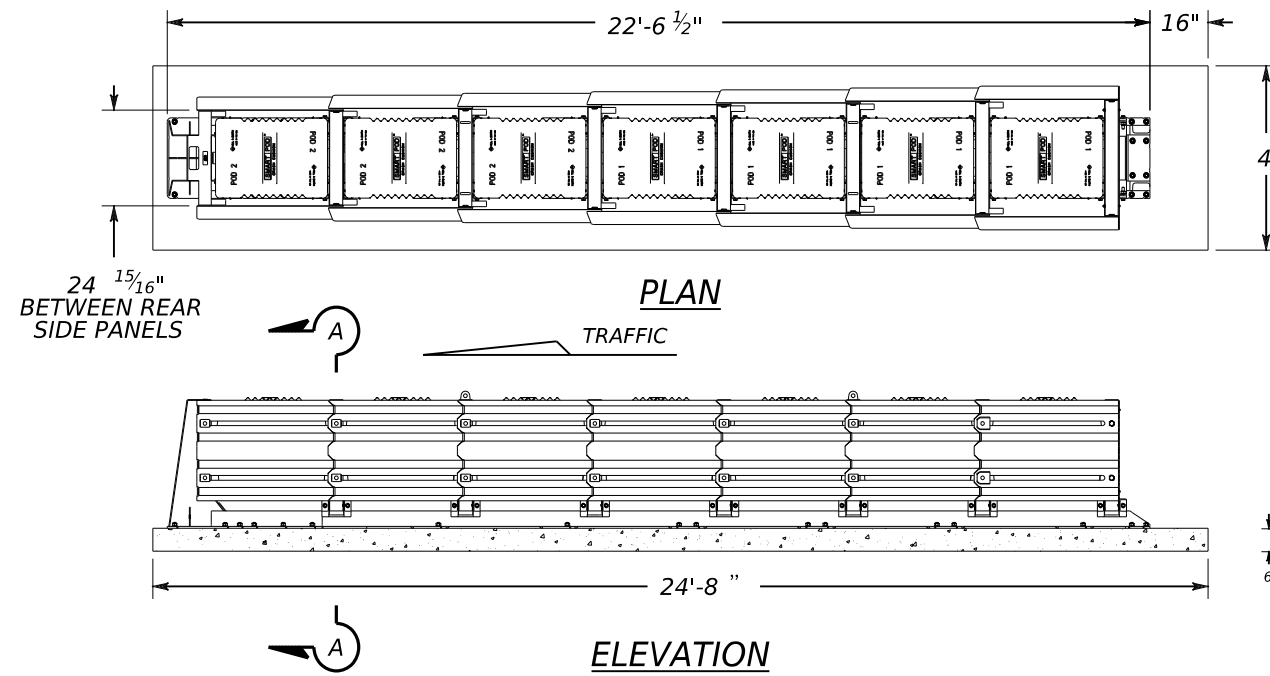


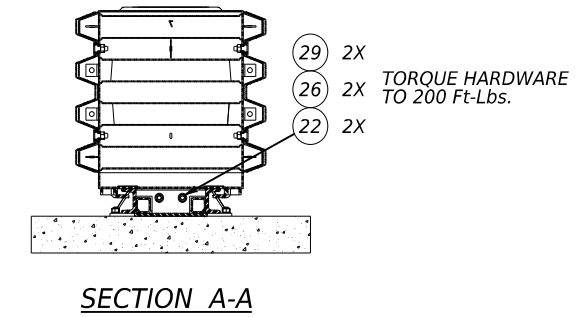
DISCLAIMER: The use of this standard is governed by the "Texas Engineering Practice Act". No warranty of any kind is made by TxDOT for any purpose whatsoever. TxDOT assumes no responsibility for the conversion of this standard to other formats or for incorrect results or damages resulting from its use.

DATE:
FILE:



GENERAL NOTES

1. FOR SPECIFIC INFORMATION REGARDING INSTALLATION AND TECHNICAL GUIDANCE OF THE SYSTEM, CONTACT: HILL AND SMITH INC. AT (614) 340-6294.
2. FOR BI-DIRECTIONAL TRAFFIC, APPROPRIATE TRANSITION PANELS WILL BE REQUIRED.
3. ADDITIONAL DETAILS FOR THE TRANSITION OPTION AND FOUNDATION OPTION WILL BE SHOWN ON THE MANUFACTURER'S SHOP DRAWINGS FURNISHED TO THE ENGINEER.
4. CONCRETE SHALL BE CLASS "S" WITH A MINIMUM COMPRESSIVE STRENGTH OF 4,000 PSI.
5. MAXIMUM PERMISSIBLE CROSS-SLOPE IS 10%.
6. THE INSTALLATION AREA SHOULD BE FREE FROM CURBS, ELEVATED OBJECTS, OR DEPRESSIONS.
7. THE SYSTEM SHOULD BE APPROXIMATELY PARALLEL WITH THE BARRIER OR CENTERLINE OF MERGING BARRIERS.
8. SHIELDS OBJECTS UP TO 24" WIDE.



TRANSITION OPTIONS
Vertical Wall
Concrete Traffic Barriers
W-Beam Guardrail
Thrie Beam Guardrail

For transition details.
(See manufacturer's product manual.)

FOUNDATION OPTIONS
6 Inch Reinforced PCC
8 Inch Non-reinforced PCC
3 Inch AC over 3 Inch Non-Reinforced PCC
6 Inch AC Over 6 Inch Compacted Subgrade
8 Inch AC

For steel placement in concrete foundations.
(See manufacturer's product manual)

SHEET 1 OF 2



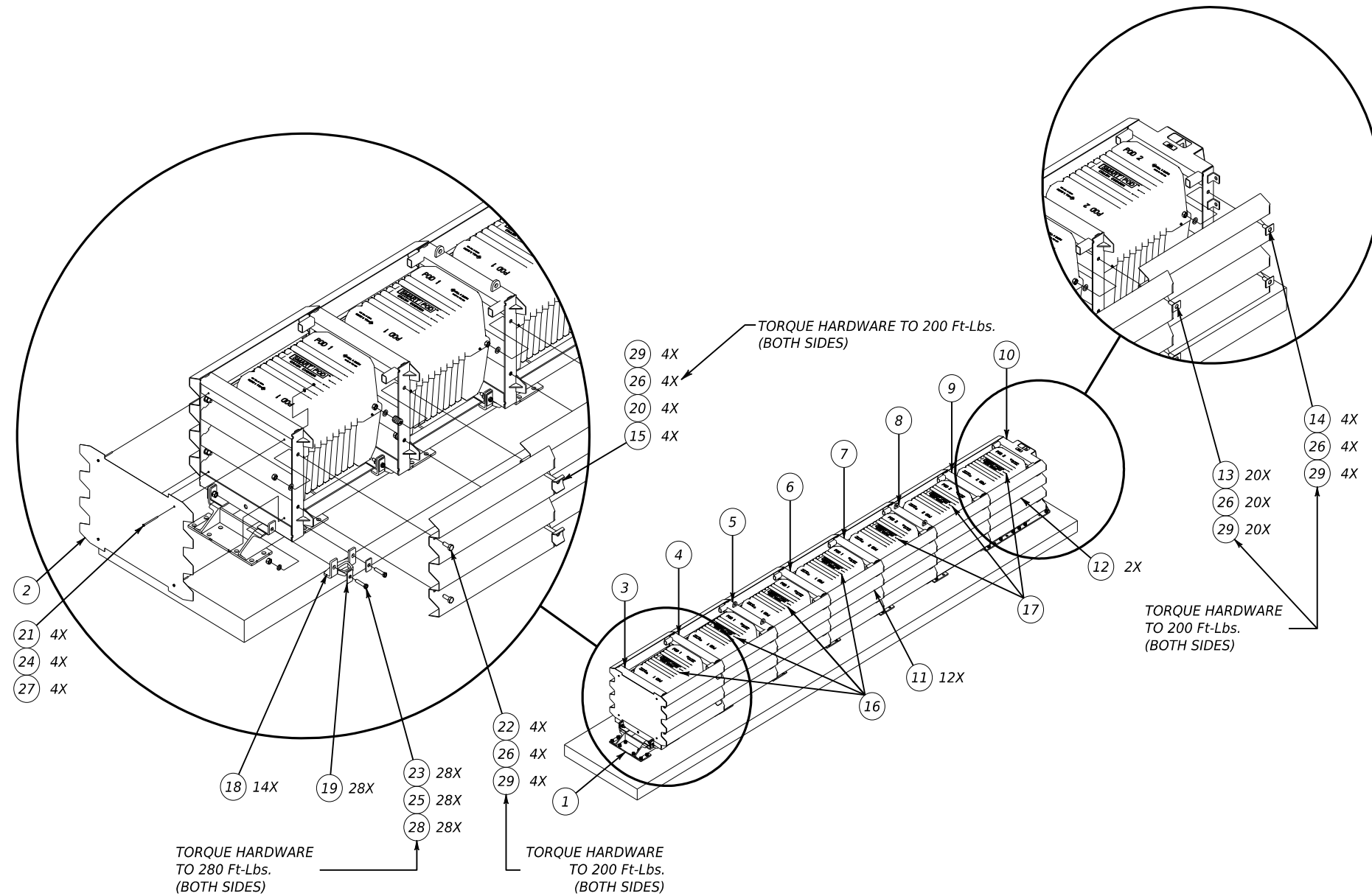
**H & S SMARTPOD
(R-NARROW)
MASH TL-3
SMARTPOD-25**

FILE: smar t pod. dgn	DN: TxDOT	CK: KM	DW: CES	CK: KM
© TxDOT: November 2025	CONT	SECT	JOB	HIGHWAY
REVISIONS				
DIST	COUNTY			SHEET NO.

REUSABLE

DISCLAIMER: The use of this standard is governed by the "Texas Engineering Practice Act". No warranty of any kind is made by TxDOT for any purpose whatsoever. TxDOT assumes no responsibility for the conversion of this standard to other formats or for incorrect results or damages resulting from its use.

DATE:
FILE:



SMARTPOD, TL-3, REDIRECTIVE, NON-GATING CRASH CUSHION

ITEM	PART NUMBER	DESCRIPTION	QTY
1	413901	BASEFRAME	1
2	413902	DELINEATOR PANEL	1
3	413903	SMARTPOD BULKHEAD 1	1
4	413904	SMARTPOD BULKHEAD 2	1
5	413905	SMARTPOD BULKHEAD 3	1
6	413906	SMARTPOD BULKHEAD 4	1
7	413907	SMARTPOD BULKHEAD 5	1
8	413908	SMARTPOD BULKHEAD 6	1
9	413909	SMARTPOD BULKHEAD 7	1
10	413910	SMARTPOD BACKSTOP	1
11	413911	SMARTPOD SIDE PANEL FRONT & MID	12
12	413912	SMARTPOD SIDE PANEL REAR	2
13	413913	SIDE KEEPER MID	20
14	413914	SIDE KEEPER REAR	4
15	272597	GALVANIZED SIDE KEEPER FRONT	4
16	414206	SMARTPOD TYPE 1	4
17	414207	SMARTPOD TYPE 2	3
18	414313	BULKHEAD FOOT	14
19	414179	RECT WASHER 3 X 1 3/4 X 1/4, GALV	28
20	413917	DIE SPRING, 3/4 X 2, CHROME-SILICON	4
21	413919	HEX BOLT 1/4-20 X 4 1/2 GR5, PLT	4
22	413918	HEX BOLT 3/4-10 X 2, GALV	6
23	414176	HEX BOLT 3/4-10 X 3 GR8, PLT	28
24	412570	WASHER, 1/4 GR5, PLT	4
25	414178	LOCK WASHER, 3/4 GR8, PLT	28
26	413916	WASHER, 3/4 ASTM F436 HDG	34
27	412571	LOCK NUT 1/4-20 SERRATED FLANGE, PLT	4
28	414177	HEX NUT 3/4-10 GR8, PLT	28
29	412527	NUT HEX 3/4-10 GALV A325	34

SHEET 2 OF 2



**H & S SMARTPOD
(R-NARROW)
MASH TL-3
SMARTPOD-25**

FILE: smar t pod.dgn	DN: TxDOT	CK: KM	DW: CES	CK: KM
© TxDOT: November 2025	CONT	SECT	JOB	HIGHWAY
REVISIONS				
DIST	COUNTY			SHEET NO.

REUSABLE