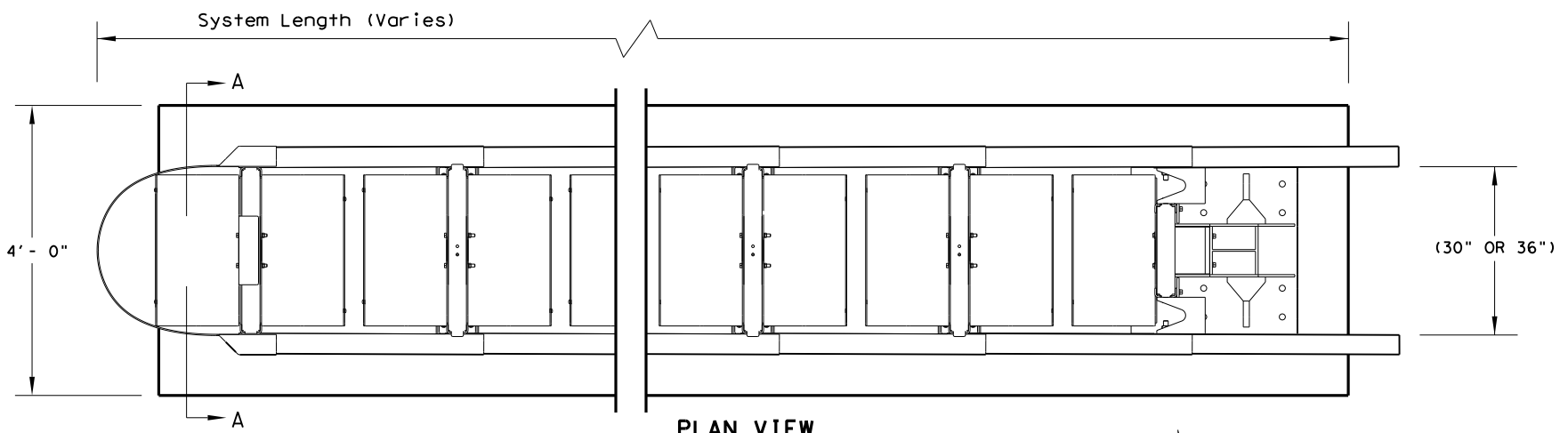
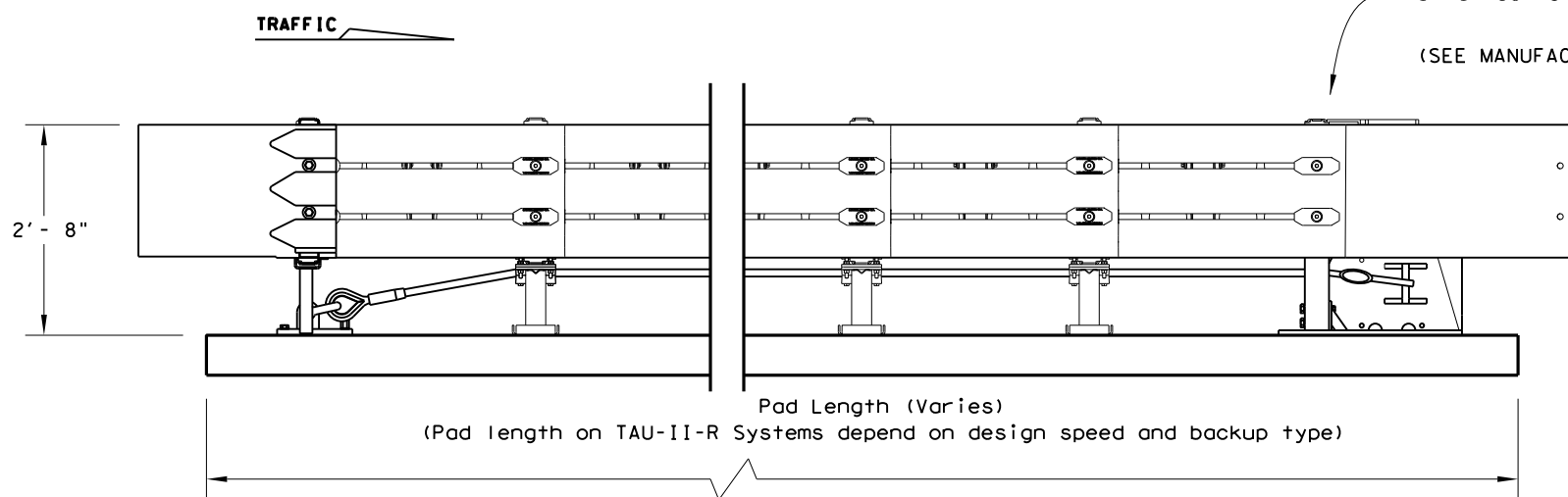


DISCLAIMER: The use of this standard is governed by the "Texas Engineering Practice Act". No warranty of any kind is made by TxDOT for any purpose whatsoever. TxDOT assumes no responsibility for the conversion of this standard to other formats or for incorrect results or damages resulting from its use.

DATE: FILE:

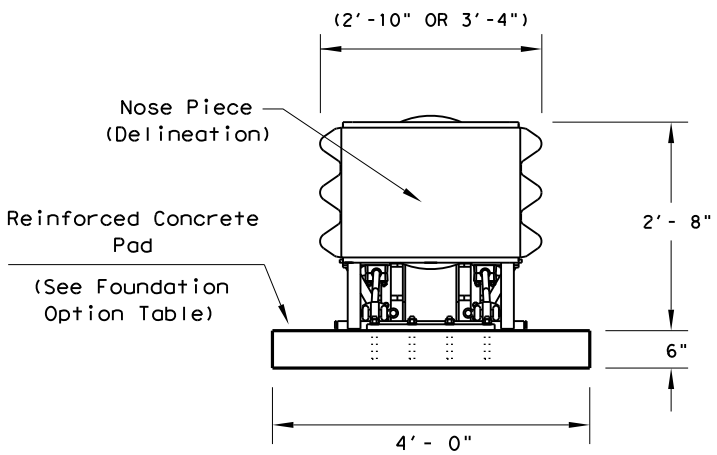


**PLAN VIEW**



**ELEVATION VIEW**

Attachments and transitions to various barrier shapes, barrier railings and bi-directional traffic flows are available.  
 (SEE MANUFACTURER'S PRODUCT MANUAL)



**SECTION A-A**

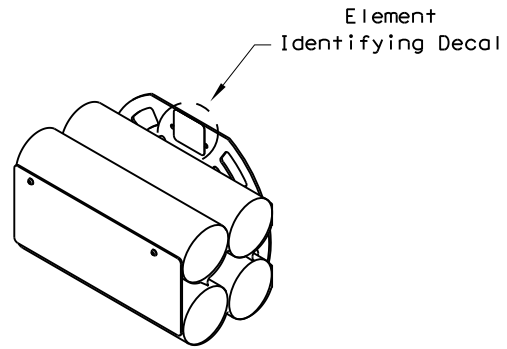
Nose Piece delineation orientation, is shown elsewhere on the plans.

| TRANSITION OPTIONS        |  |
|---------------------------|--|
| Vertical Wall             |  |
| Concrete Traffic Barriers |  |
| W-Beam Guardrail          |  |
| Thrie Beam Guardrail      |  |

For bi-directional transition panel and end shoe details. (See manufacturer's product manual.)

| FOUNDATION OPTIONS  |  |
|---|--|
| 6" Reinforced Concrete                                      |  |
| 8" Unreinforced Concrete                                    |  |
| Asphalt over Concrete with Minimum 6" Embedment in Concrete |  |
| 6" Asphalt over 6" Compact Subbase                          |  |
| 8" Minimum Asphalt  |  |

For steel placement in concrete foundations. (See manufacturer's product manual)



**ENERGY ABSORBING ELEMENTS (EAE)**

| BACKUP SUPPORT OPTIONS |  |
|------------------------|--|
| Compact (Stand Alone)  |  |
| Flush Mount            |  |
| PCB (Concrete Barrier) |  |

| TAU-II-R (NARROW) SYSTEM LENGTHS |        |         |        |
|----------------------------------|--------|---------|--------|
| BACKSTOP                         | TL-2   | TL-3    | 70 mph |
| PCB                              | 13'-7" | 27'-10" | 30'-7" |
| Flush Mount                      | 14'-0" | 28'-3"  | 31'-0" |
| Compact                          | 15'-3" | 29'-6"  | 32'-3" |

Backup and Transition types are shown elsewhere on the plans, (i.e. Attenuator location details or in the general notes).

Note: System lengths are ± 2"

**GENERAL NOTES**

- For specific information regarding installation and technical guidance of the system, contact: Lindsay Transportation Solutions - Barrier Systems, Inc. at (707) 374-6800. 180 River Road, Rio Vista, CA 94571
- For bi-directional traffic, appropriate transition panels will be required.
- Additional details for the backup support option, transition options and foundation option will be shown on the manufacturer's shop drawings furnished to the Engineer.
- Concrete shall be class "S" with a minimum compressive strength of 4,000 psi.
- Maximum permissible cross-slope is 8%.
- The installation area should be free from curbs, elevated objects, or depressions.
- The TAU-II-R system should be approximately parallel with the barrier or center of merging barriers.
- Refer to Universal TAU-II-R configuration chart for specific systems configuration number and location of each type of energy absorbing element.
- 30-inch (30") model shown, also available in 36-inch (36") configuration.

**BILL OF MATERIAL**

| PRODUCT CODE   | QTY | DESCRIPTION                       |
|----------------|-----|-----------------------------------|
| B030704        | 1   | Front Support                     |
| B030703        | TBD | Mid Support                       |
| TBD            | 1   | Backstop Assembly (See Table)     |
| TBD            | 1   | Front Cable Anchor                |
| TBD            | 1   | Nose Assembly                     |
| B010202        | TBD | Sliding Panel                     |
| B010659        | 2   | End Panel                         |
| K001003        | 1   | Slider Assembly Kit               |
| BSI-1202006-KT | TBD | TAU-II-R Slider Kit               |
| BSI-1107131-KT | TBD | TAU-II-R EAE Mounting Hw Kit      |
| BSI-1012069-00 | TBD | Energy Absorbing Element, Type 1  |
| BSI-1012070-00 | TBD | Energy Absorbing Element, Type 2  |
| BSI-1012071-00 | TBD | Energy Absorbing Element, Type 3  |
| BSI-1110009-00 | TBD | Energy Absorbing Element, Type 3N |
| TBD            | TBD | Cable Assembly                    |
| K001004        | TBD | Cable Guide Kit                   |
| K001005        | 2   | Front Support Leg Kit             |
| B010651        | 4   | Pipe Panel Mount                  |
| TBD            | 1   | Anchoring Package                 |

(TBD) = To Be Determined, depending on Backup Type and System Length.

(See manufacturer's product manual for details)



**LTS-BARRIER SYSTEMS**  
**CRASH CUSHION**  
**(R-NARROW)**  
**TAU-II-R(N)-16**

|                       |           |        |        |           |
|-----------------------|-----------|--------|--------|-----------|
| FILE: tauirr16.dgn    | DW: TxDOT | CK: KM | DW: VP | CK: CGL   |
| © TxDOT: January 2013 | CONT      | SECT   | JOB    | HIGHWAY   |
| REVISIONS             |           |        |        |           |
| REVISED 06, 2013 (VP) | DIST      |        | COUNTY | SHEET NO. |
| REVISED 03, 2016 (VP) |           |        |        |           |

**LOW MAINTENANCE**