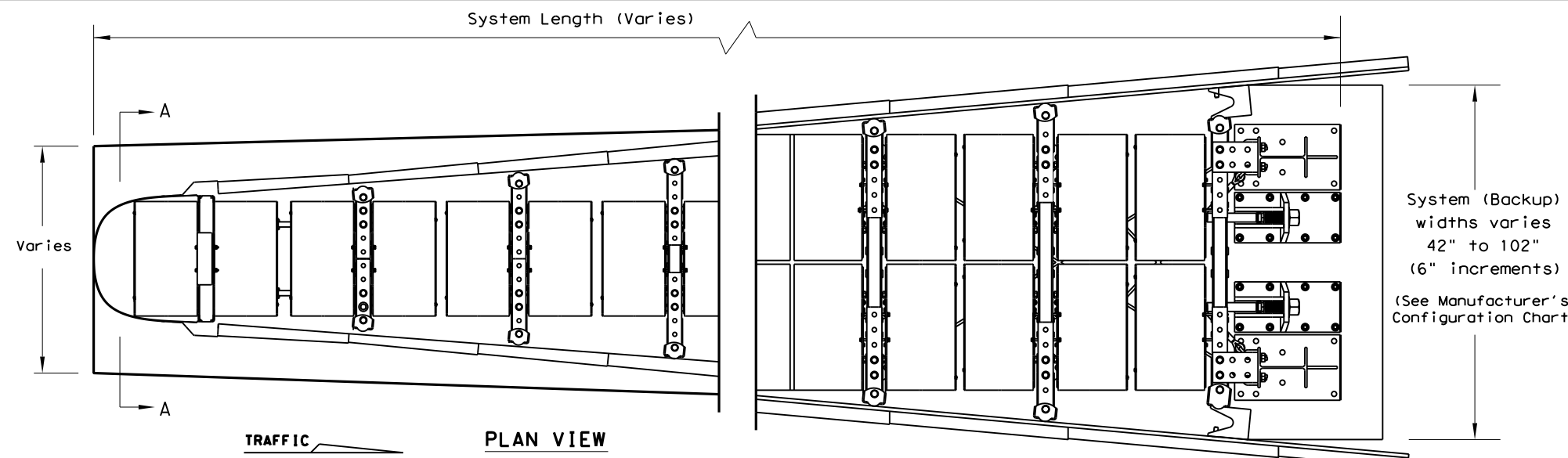


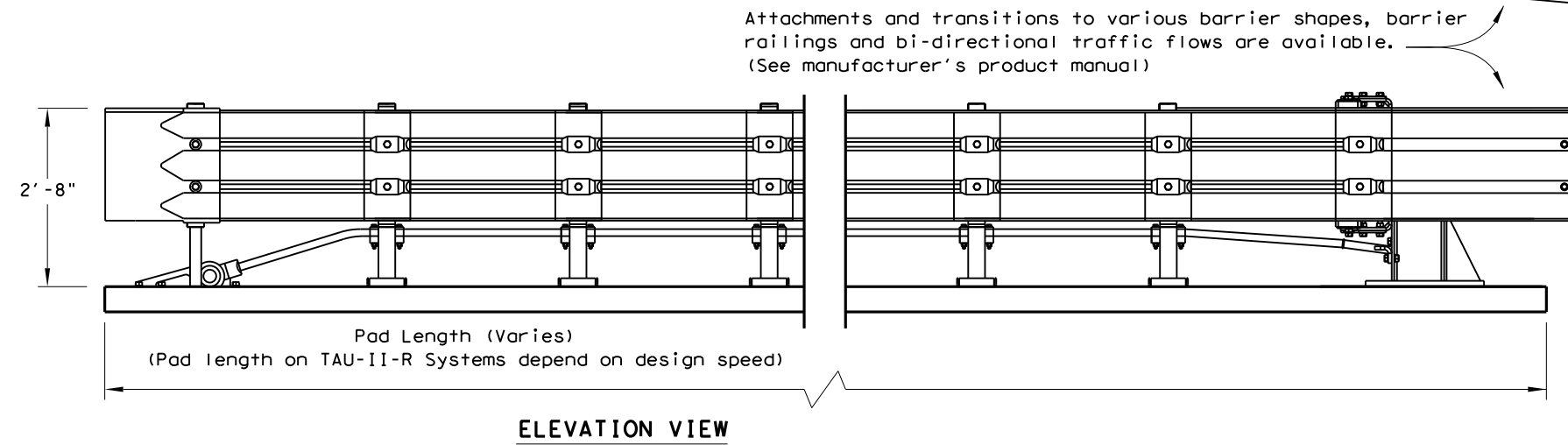
DISCLAIMER: The use of this standard is subject to the "Texas Engineering Practice Act". No warranty of any kind is made by TxDOT for any purpose whatsoever. TxDOT assumes no responsibility for the consequences of the use of this standard.

DATE: FILE:

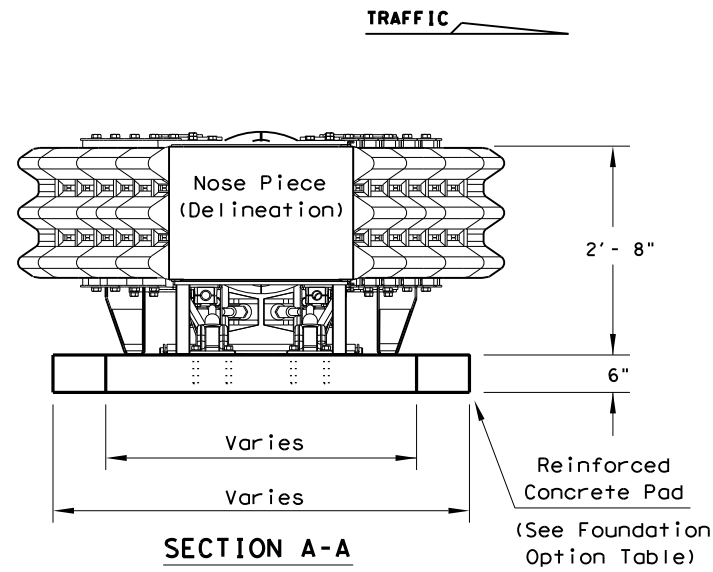


System (Backup) widths varies 42" to 102" (6" increments)
(See Manufacturer's Configuration Chart)

- ### GENERAL NOTES
1. For specific information regarding installation and technical guidance of the system, contact: Lindsay Transportation Solutions - Barrier Systems, Inc. at (707) 374-6800, 180 River Road, Rio Vista, CA 94571
 2. For bi-directional traffic, appropriate transition panels will be required.
 3. Additional details for the backup support option, transition option and foundation option will be shown on the manufacturer's shop drawings furnished to the Engineer.
 4. Concrete shall be class "S" with a minimum compressive strength of 4,000 psi
 5. Maximum permissible cross-slope is 8%.
 6. The installation area should be free from curbs, elevated objects, or ground depressions.
 7. The TAU-II-R system should be installed approximately parallel with the barrier or center of merging barriers.
 8. Refer to Universal TAU-II-R configuration chart for system configuration numbers and location of each type of energy absorbing element.



Attachments and transitions to various barrier shapes, barrier railings and bi-directional traffic flows are available.
(See manufacturer's product manual)



Nose Piece delineation orientation, is shown elsewhere on the plans.

BACKUP SUPPORT OPTIONS
Wide Flange (Stand alone)

Backup and Transition types are shown elsewhere on the plans, (i.e. Attenuator location details or in the general notes).

TAU-II-R (WIDE) SYSTEM LENGTHS				
SYSTEM WIDTH	TL-2	TL-3	70 mph	
42"	15'-4"	29'-5"	32'-3"	
48"	15'-4"	29'-5"	32'-3"	
54"	15'-4"	29'-5"	32'-3"	
60"	12'-5"	29'-5"	32'-3"	
66"	12'-5"	26'-7"	29'-5"	
72"	12'-5"	26'-7"	26'-7"	
78"	12'-5"	26'-7"	26'-7"	
84"	12'-5"	26'-7"	26'-7"	
90"	12'-5"	26'-7"	26'-7"	
96"	12'-5"	26'-7"	26'-7"	
102"			26'-7"	

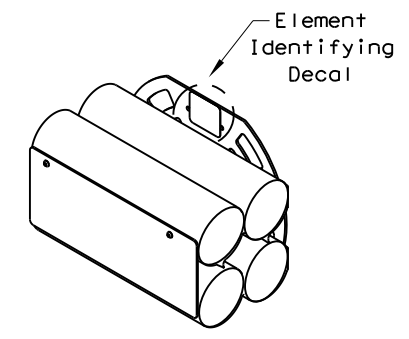
Note: System Lengths are +/-2"

FOUNDATION OPTIONS
6" Reinforced Concrete
8" Unreinforced Concrete
Asphalt over Concrete with Minimum 6" Embedment in Concrete

For steel placement in concrete foundations.
(See manufacturer's product manual)

TRANSITION OPTIONS
Vertical Wall
Concrete Traffic Barriers
W-Beam Guardrail
Thrie Beam Guardrail

For bi-directional transition panel and end shoe details.
(See manufacturer's product manual)



ENERGY ABSORBING ELEMENTS (EAE)

BILL OF MATERIAL		
PRODUCT CODE	QTY	DESCRIPTION
B030704	1	Front Support
B030703	TBD	Mid Support
TBD	TBD	XL Bulkhead
TBD	TBD	XXL Bulkhead
TBD	TBD	XXXL Bulkhead
TBD	1	Backstop Assembly (See Table)
TBD	2	Front Cable Anchor
TBD	1	Nose Assembly
B010202	TBD	Sliding Panel
B010659	2	End Panel
K001003	1	Slider Assembly Kit
BSI-1202006-KT	TBD	TAU-II-R Slider Kit
BSI-1107131-KT	TBD	TAU-II-R EAE Mounting Hw Kit
BSI-1012069-00	TBD	Energy Absorbing Element, Type 1
BSI-1012070-00	TBD	Energy Absorbing Element, Type 2
BSI-1012071-00	TBD	Energy Absorbing Element, Type 3
BSI-1109042-00	TBD	Energy Absorbing Element, Type 1S
BSI-1107116-00	TBD	Energy Absorbing Element, Type 2S
BSI-1110009-00	TBD	Energy Absorbing Element, Type 3N
TBD	TBD	Cable Assembly
K001031	TBD	Lateral Support Kit
K001004	TBD	Cable Guide Kit
K001005	2	Front Support Leg Kit
TBD	1	Anchoring Package

(TBD) = To Be Determined, depending on Backup Type and System Length.
(See manufacturer's product manual for details)

LOW MAINTENANCE

Texas Department of Transportation
Design Division Standard

LTS-BARRIER SYSTEMS CRASH CUSHION (R-WIDE) TAU-II-R(W)-16

FILE: tauirw16.dgn	DN: TxDOT	CK: KM	DW: VP	CK: CGL
©TxDOT: January 2013	CONT	SECT	JOB	HIGHWAY
REVISIONS				
REVISED 06, 2013 (VP)				
REVISED 02, 2016 (VP)				
DIST	COUNTY			SHEET NO.