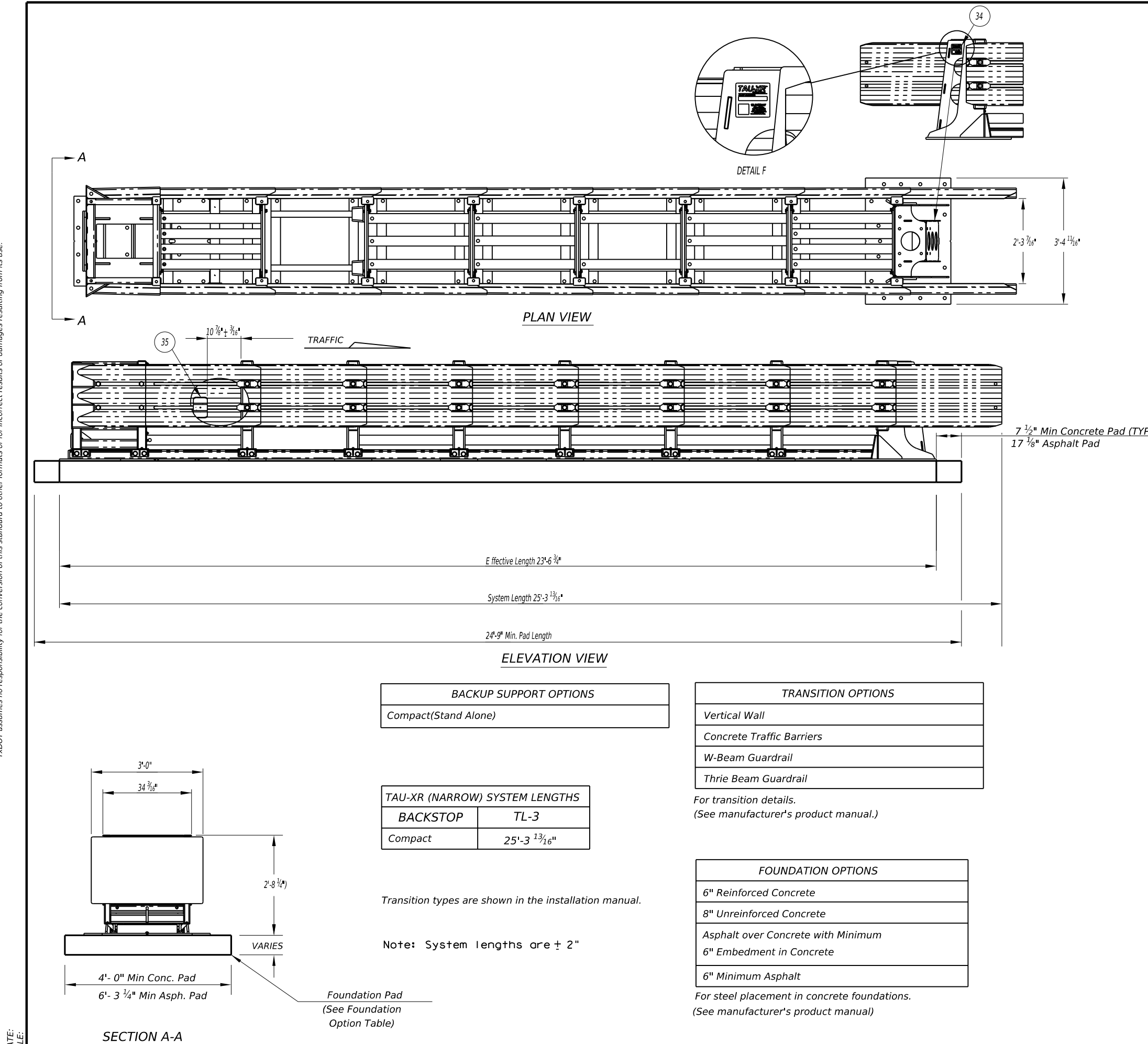


DISCLAIMER: The use of this standard is governed by the "Texas Engineering Practice Act". No warranty of any kind is made by TxDOT for any purpose whatsoever. TxDOT assumes no responsibility for the conversion of this standard to other formats or for incorrect results or damages resulting from its use.



- GENERAL NOTES**
- For specific information regarding installation and technical guidance of the system, contact: Lindsay Transportation Solutions - at (402) 829-6800 18135 Burke St, Omaha, NE 68022.
  - For bi-directional traffic, appropriate transition panels will be required.
  - Additional details for the transition options and foundation option will be shown on the manufacturer's shop drawings and manual furnished to the Engineer.
  - Concrete shall be class "S" with a minimum compressive strength of 4,000 psi.
  - Maximum permissible cross-slope is 8%.
  - The installation area should be free from curbs, elevated objects, or depressions.
  - The TAU-XR system should be approximately parallel with the barrier or center of merging barriers.
  - Sheilds objects up to 30" wide.

ITEM NO.	PART NUMBER	DESCRIPTION	QTY.
1	1826930	WELDMENT, TAU-XR RAIL	1
2	1829089	WELDMENT, TAU-XR BACKSTOP	1
3	1827379	WELDMENT, PANEL MOUNT	2
4	1827426	SPRING, 700 LB/N COMPRESSION	32
5	1829086	BOLT, 3/4-10 X 6.75 A325 HEX	32
6	2001789	NUT HN 3/4-10 GR5 GEOMET	38
7	1827890	WASHER, F436 3/4" STRUC FLAT	76
8	1823981	NUT, 7/8-9 GR5, HEX	2
9	1823980	WASHER, 7/8, FLAT	4
10	1823979	SCREW, 7/8-9 X 2.5 Gr5 HEX CAP	2
11	1824972	TUBE, 80X2 SQ. ALUMINUM	32
12	1825832	PLATE, SINGLE TUBE HOLDER	4
13	1825833	PLATE, DOUBLE TUBE HOLDER	8
14	1825834	PLATE, TRIPLE TUBE HOLDER	4
15	1825835	PLATE, QUADRUPLE TUBE HOLDER	8
16	1827159	BAR, TUBE RETAINER	24
17	1825106	END PANEL, THRIE-BEAM	2
18	1825984	PANEL, TAU-XR SLIDER	14
19	1829367	WELDMENT, TAU-XR MIDSUPPORT	6
20	1829312	SPACER, BUMPER	2
21	4002139	RUBBER BUMPER	2
22	1826967	BLOCK, RAIL SLIDER	16
23	1823982	SCREW, 3/4-10X3.5" Gr5 HEX CAP	2
24	1827439	SCREW, 3/4-10 X 2 GR8 HEX	36
25	1827888	SCREW, 3/8-16 X 2 GR5 HEX	14
26	1827887	SCREW, 3/8-16 X 2-1/2 Gr5 HEX	32
27	1827886	SCREW, 3/8-16 X 1-1/2 Gr5 HEX	18
28	1829369	SCREW, 3/8-16 X 4", HEX CAP	4
29	1824115	WASHER, 3/8 SAE Gr8, FLAT	132
30	2001809	NUT HN, 3/8-16, GR5	66
31	1827166	SLIDER, PANEL	28
32	1829354	WELDMENT, FRONT SUPPORT	1
33	1829084	PANEL, FRONT SUPPORT SIDE	2
34	1828062	LABEL, TAU-XR IDENTIFICATION	1
35	1829569	WELDMENT, CROSS BRACE	1
36	2000096	WSHR FENDER 3/8 X 1.5 OD X .063 THK MGAL	2

BACKUP SUPPORT OPTIONS
Compact(Stand Alone)

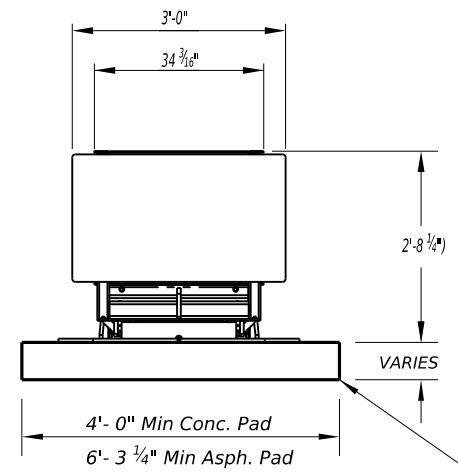
TRANSITION OPTIONS
Vertical Wall
Concrete Traffic Barriers
W-Beam Guardrail
Thrie Beam Guardrail

For transition details.  
(See manufacturer's product manual.)

TAU-XR (NARROW) SYSTEM LENGTHS	
BACKSTOP	TL-3
Compact	25'-3 13/16"

FOUNDATION OPTIONS
6" Reinforced Concrete
8" Unreinforced Concrete
Asphalt over Concrete with Minimum 6" Embedment in Concrete
6" Minimum Asphalt

For steel placement in concrete foundations.  
(See manufacturer's product manual)



Transition types are shown in the installation manual.

Note: System lengths are ± 2"

Foundation Pad  
(See Foundation Option Table)

**Texas Department of Transportation** Design Division Standard

**LTS-BARRIER SYSTEMS**  
**CRASH CUSHION**  
**(LM-NARROW)**  
**MASH TL3**  
**TAU-XR (N) - 24**

FILE: tauxr24.dgn	DN: CES	CK: KM	DW: CES	CK: KM
© TxDOT: Sept 2024	CONT	SECT	JOB	HIGHWAY
REVISIONS				
DIST	COUNTY			SHEET NO.

LOW MAINTENANCE

DATE:  
FILE: