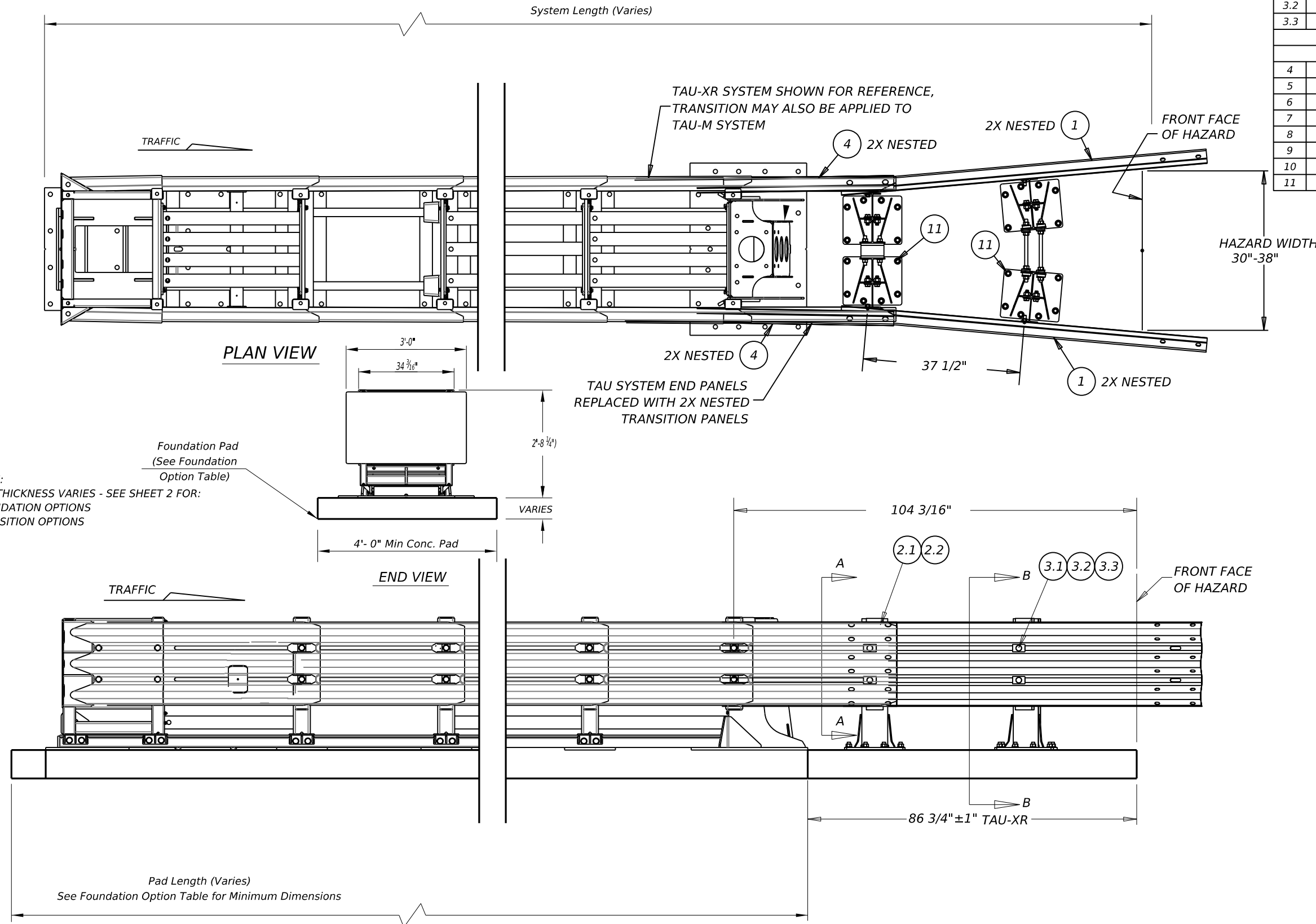


FOR GENERAL NOTES SEE SHEET 2

TAU-XR Wide Transitions-30"-38"

LINDSAY				
ITEM	PART NUMBER	DESCRIPTION	QTY	UNIT
1	1830066	THRIE BEAM, HALF, 2SPA, 12GA	4	EA
2	1831499	KIT, HDW, THRIE BEAM SPLICE	2	EA
2.1	4001115	GUARDRAIL BOLT 5/8-11X 1 1/4	12	EA
2.2	4001116	NUT, 5/8-11 GR-2 RECESSED	12	EA
3	1831567	KIT, HDW, EXT THRIE ATCH SET	2	EA
3.1	2001758	GUARDRAIL BOLT 5/8-11 X 2,MGAL	4	EA
3.2	4002051	GRDRAIL WSHR Rect AASHTO FWR03	4	EA
3.3	4001116	NUT, 5/8-11 GR-2 RECESSED	4	EA

1831584 - KIT, 30-38 TAU EXTENSION, PROP				
4	1830055	THRIE BEAM, END TRANS, 12GA	4	EA
5	1830105	WLDMT, TRANSITION POST	4	EA
6	1830084	BEAM, W6X9 TRANSITION BLOCKOUT	4	EA
7	1830070	TUBE, TRANSITION POST SPACER	2	EA
8	1831564	KIT, HDW, EXT POST ATCHMNT SET	2	EA
9	1831565	KIT, HDW, POST 1 CONNECTOR	1	EA
10	1831566	KIT, HDW, POST 2/4 CONNECTOR	1	EA
11	1831581	KIT, HDW, POST ANCHOR SET	2	EA



NOTE:
PAD THICKNESS VARIES - SEE SHEET 2 FOR:
FOUNDATION OPTIONS
TRANSITION OPTIONS

DISCLAIMER: The use of this standard is governed by the "Texas Engineering Practice Act". No warranty of any kind is made by TxDOT for any purpose whatsoever. TxDOT assumes no responsibility for the conversion of this standard to other formats or for incorrect results or damages resulting from its use.

SHEET 1 OF 3

Texas Department of Transportation
 Design Division Standard

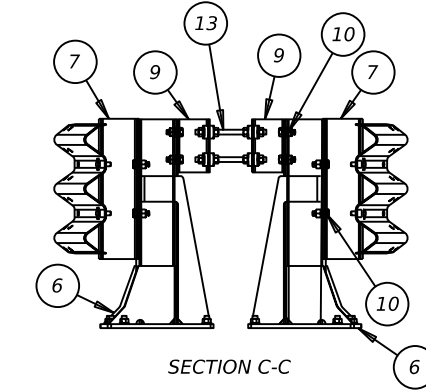
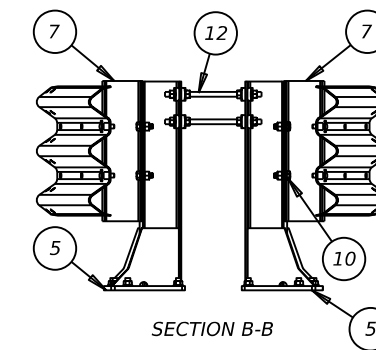
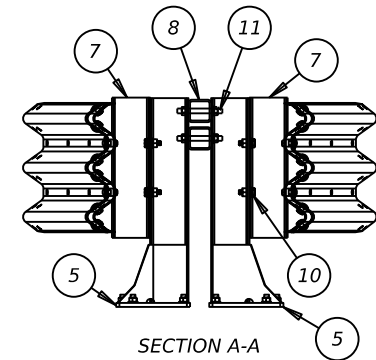
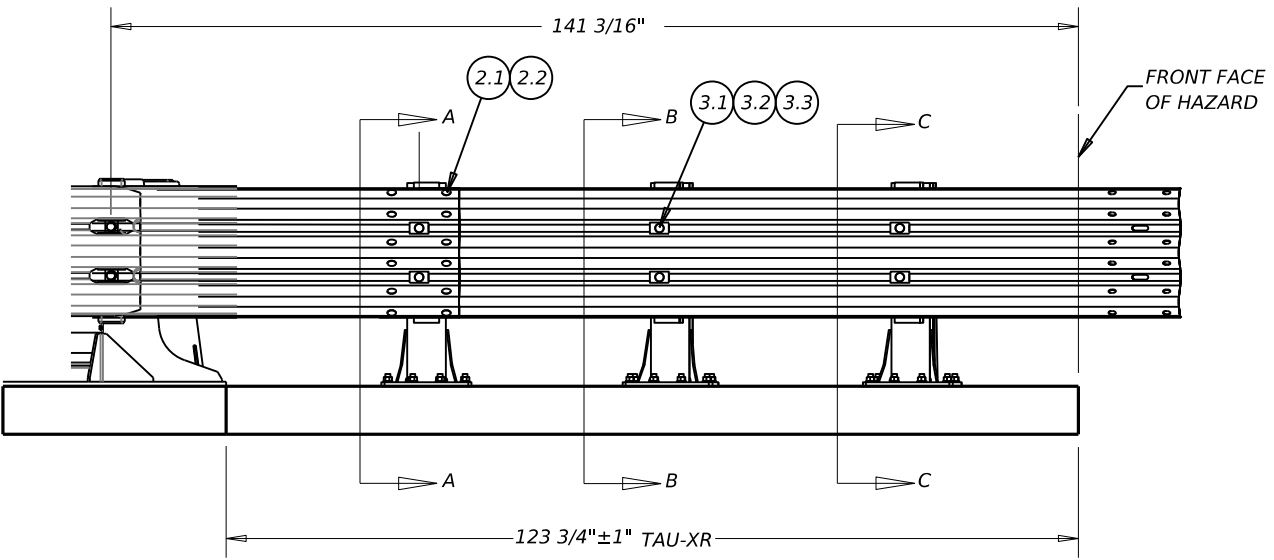
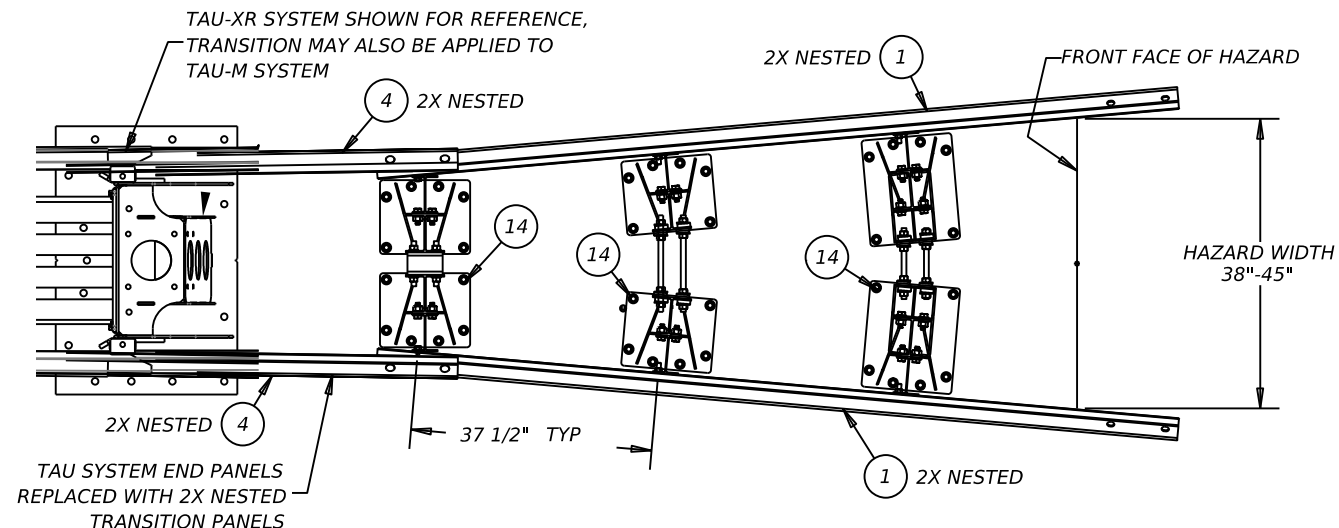
LTS-BARRIER SYSTEMS CRASH CUSHION (LM-WIDE) MASH TL-3

TAU-XR (W) -25

FILE: taurw25.dgn	DN: TxDOT	CK: NM	DW: CES	CK:
© TxDOT: November 2025	CONT	SECT	JOB	HIGHWAY
REVISIONS				
DIST	COUNTY		SHEET NO.	

LOW MAINTENANCE

TAU-XR Wide Transitions-38"-45"



LINDSAY					
ITEM	PART NUMBER	DESCRIPTION	QTY	UNIT	
1	1831424	THRIE BEAM, 9'-4.5", 3SPA, 12GA	4	EA	
2	1831499	KIT, HDW, THRIE BEAM SPLICE	2	EA	
2.1	4001115	GUARDRAIL BOLT 5/8-11X 1 1/4	12	EA	
2.2	4001116	NUT, 5/8-11 GR-2 RECESSED	12	EA	
3	1831567	KIT, HDW, EXT THRIE ATCH SET	3	EA	
3.1	2001758	GUARDRAIL BOLT 5/8-11 X 2, MGAL	4	EA	
3.2	4002051	GRDRAIL WSHR Rect AASHTO FWRO3	4	EA	
3.3	4001116	NUT, 5/8-11 GR-2 RECESSED	4	EA	
1831585 - KIT, 38-45 TAU EXTENSION, PROP					
4	1830055	THRIE BEAM, END TRANS, 12GA	4	EA	
5	1830105	WLDMT, TRANSITION POST	4	EA	
6	1830127	WLDMT, TRANSITION POST BRACED	2	EA	
7	1830084	BEAM, W6X9 TRANSITION BLOCKOUT	6	EA	
8	1830070	TUBE, TRANSITION POST SPACER	2	EA	
9	1831307	WLDMT, 5" TRANS POST EXT	2	EA	
10	1831564	KIT, HDW, EXT POST ATCHMNT SET	4	EA	
11	1831565	KIT, HDW, POST 1 CONNECTOR	1	EA	
12	1831566	KIT, HDW, POST 2/4 CONNECTOR	1	EA	
13	1831572	KIT, HDW, POST 3 CONNECTOR	1	EA	
14	1831581	KIT, HDW, POST ANCHOR SET	3	EA	

GENERAL NOTES

1. FOR SPECIFIC INFORMATION REGARDING INSTALLATION AND TECHNICAL GUIDANCE OF THE SYSTEM, CONTACT: LINDSAY TRANSPORTATION SOLUTIONS - AT (402) 829-6800, 18135 BURKE ST. OMAHA, NE 68022.
2. TRANSITION OPTION AND FOUNDATION OPTION WILL BE SHOWN ON THE MANUFACTURER'S SHOP DRAWINGS FURNISHED TO THE ENGINEER.
3. CONCRETE SHALL BE CLASS "S" WITH A MINIMUM COMPRESSIVE STRENGTH OF 4,000 PSI.
4. MAXIMUM PERMISSIBLE CROSS-SLOPE IS 8%.
5. THE INSTALLATION AREA SHOULD BE FREE FROM CURBS, ELEVATED OBJECTS, OR GROUND DEPRESSIONS.
6. THE TAU-XR (W) SYSTEM SHOULD BE INSTALLED APPROXIMATELY PARALLEL WITH THE BARRIER OR CENTER OF MERGING BARRIERS.
7. THE SYSTEM SHIELDS OBJECTS BETWEEN 30" THRU 52" IN WIDTH.

TAU-XR (W) SYSTEM LENGTHS	
SYSTEM WIDTH	TL-3
30"-38"	32'-3"
38"-45"	35'-4"
45"-52"	38'-5"

Note: System Lengths are +/-2"

TRANSITION OPTIONS	
Vertical Wall	
Concrete Traffic Barriers	

For bi-directional transition panel and end shoe details.
(See manufacturer's product manual)

FOUNDATION OPTIONS	
6" Reinforced Concrete	
8" Unreinforced Concrete	

For steel placement in concrete foundations.
(See manufacturer's product manual)

Crash Cushion	Width Extension	Foundation Measurements			
		Front Width	Angle Start	Back Width	Overall Length
TAU-XR	30-38	48"	297-3/4"	55"	367"
	38-45	48"	297-3/4"	59"	404"
	45-52	48"	297-3/4"	63"	441"

DISCLAIMER: The use of this standard is governed by the "Texas Engineering Practice Act". No warranty of any kind is made by TxDOT for any purpose whatsoever. TxDOT assumes no responsibility for the conversion of this standard to other formats or for incorrect results or damages resulting from its use.

LOW MAINTENANCE

SHEET 2 OF 3

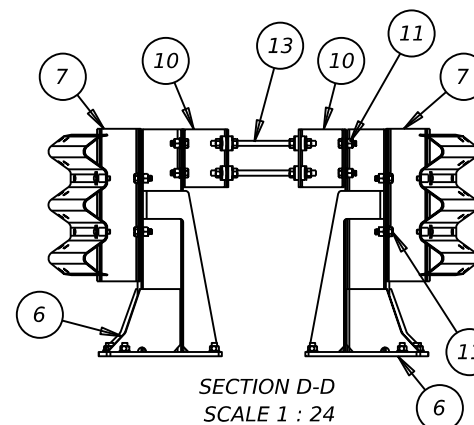
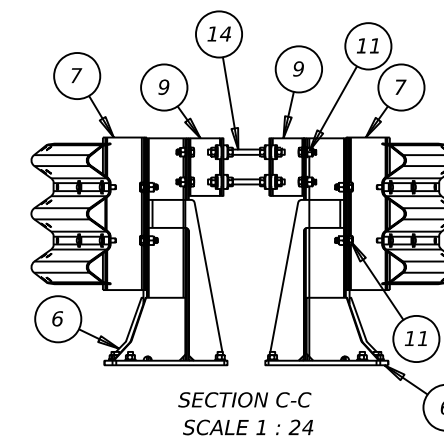
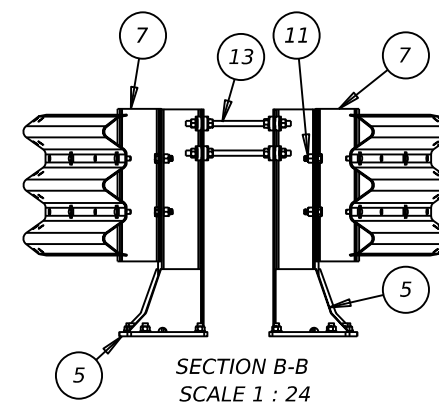
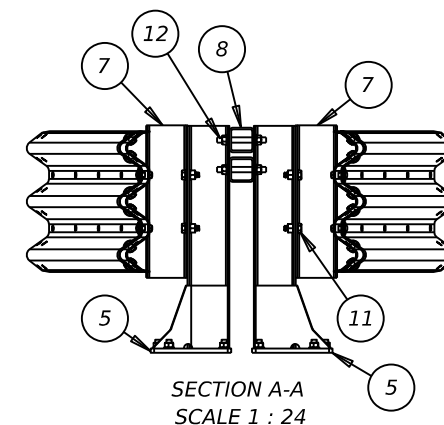
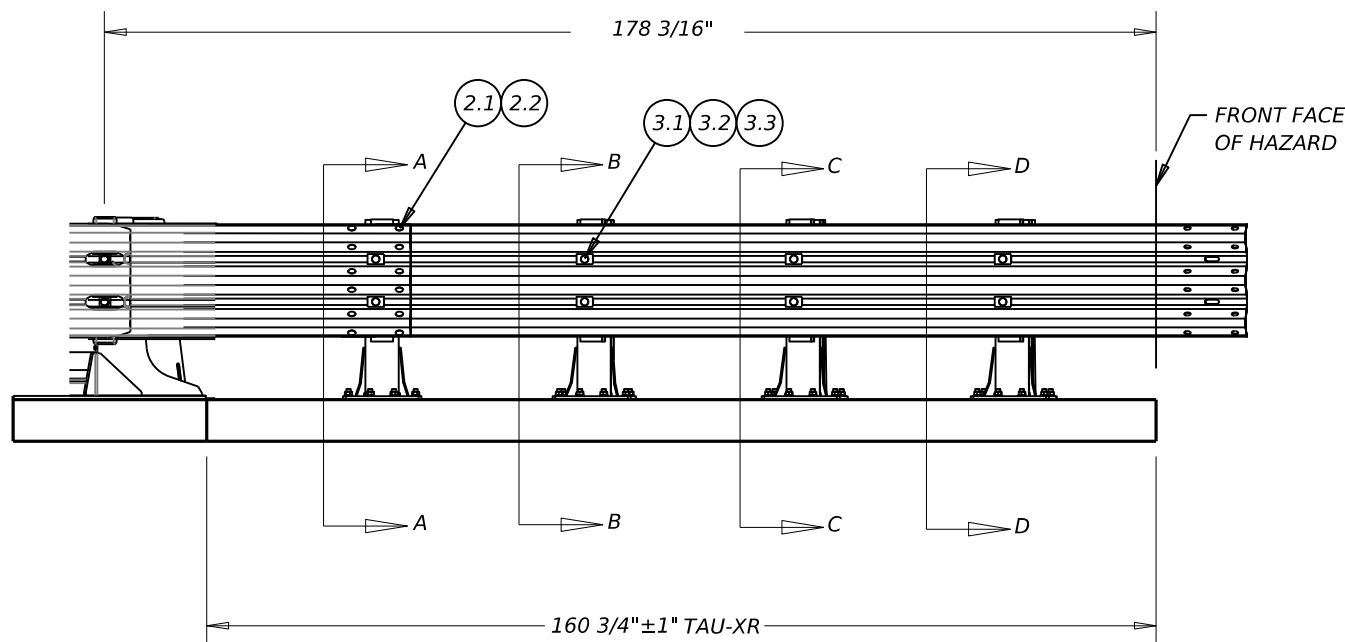
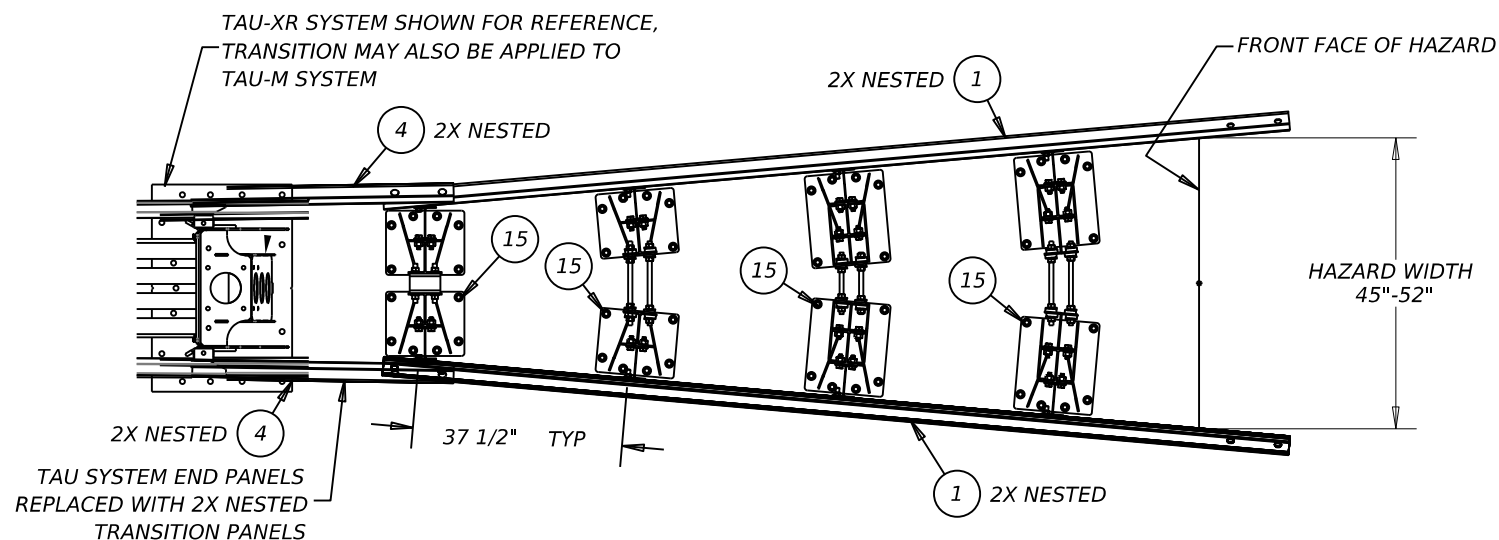
Design Division Standard

LTS-BARRIER SYSTEMS CRASH CUSHION (LM-WIDE) MASH TL-3

TAU-XR (W) -25

FILE: t0uxrw25.dgn	DN: TxDOT	CK: NM	DW: CES	CK:
© TxDOT: November 2025	CONT	SECT	JOB	HIGHWAY
REVISIONS				
DIST	COUNTY		SHEET NO.	

TAU-XR Wide Transitions-45"-52"



LINDSAY				
ITEM	PART NUMBER	DESCRIPTION	QTY	UNIT
1	1830067	THRIE BEAM, 12'-6", 4SPA, 12GA	4	EA
2	1831499	KIT, HDW, THRIE BEAM SPLICE	2	EA
2.1	4001115	GUARDRAIL BOLT 5/8-11X 1 1/4	12	EA
2.2	4001116	NUT, 5/8-11 GR-2 RECESSED	12	EA
3	1831567	KIT, HDW, EXT THRIE ATCH SET	4	EA
3.1	2001758	GUARDRAIL BOLT 5/8-11 X 2,MGAL	4	EA
3.2	4002051	GRDRAIL WSHR Rect AASHTO FWR03	4	EA
3.3	4001116	NUT, 5/8-11 GR-2 RECESSED	4	EA
1831586 - KIT, 45-52 TAU EXTENSION, PROP				
4	1830055	THRIE BEAM, END TRANS, 12GA	4	EA
5	1830105	WLDMT, TRANSITION POST	4	EA
6	1830127	WLDMT, TRANSITION POST BRACED	4	EA
7	1830084	BEAM, W6X9 TRANSITION BLOCKOUT	8	EA
8	1830070	TUBE, TRANSITION POST SPACER	2	EA
9	1831307	WLDMT, 5" TRANS POST EXT	2	EA
10	1831345	WLDMT, 6.5" TRANS POST EXT	2	EA
11	1831564	KIT, HDW, EXT POST ATCHMNT SET	6	EA
12	1831565	KIT, HDW, POST 1 CONNECTOR	1	EA
13	1831566	KIT, HDW, POST 2/4 CONNECTOR	2	EA
14	1831572	KIT, HDW, POST 3 CONNECTOR	1	EA
15	1831581	KIT, HDW, POST ANCHOR SET	4	EA

DISCLAIMER: The use of this standard is governed by the "Texas Engineering Practice Act". No warranty of any kind is made by TxDOT for any purpose whatsoever. TxDOT assumes no responsibility for the conversion of this standard to other formats or for incorrect results or damages resulting from its use.

SHEET 3 OF 3



LTS-BARRIER SYSTEMS
CRASH CUSHION
(LM-WIDE)
MASH TL-3

TAU-XR (W) -25

FILE: taurw25.dgn	DN: TxDOT	CK: NM	DW: CES	CK:
© TxDOT: November 2025	CONT	SECT	JOB	HIGHWAY
REVISIONS				
	DIST	COUNTY		SHEET NO.

LOW MAINTENANCE