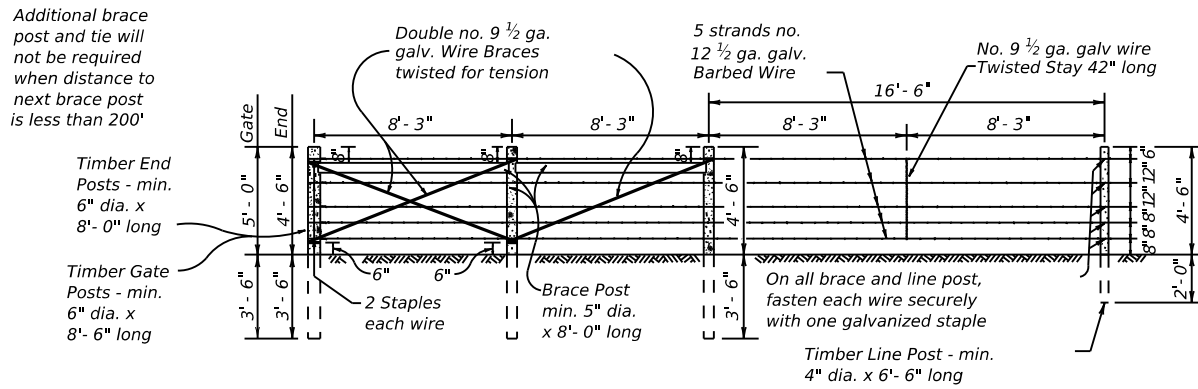


DISCLAIMER: The use of this standard is governed by the "Texas Engineering Practice Act". No warranty of any kind is made by TxDOT for any purpose whatsoever. TxDOT assumes no responsibility for the conversion of this standard to other formats or for incorrect results or damages resulting from its use.

DATE: FILE:

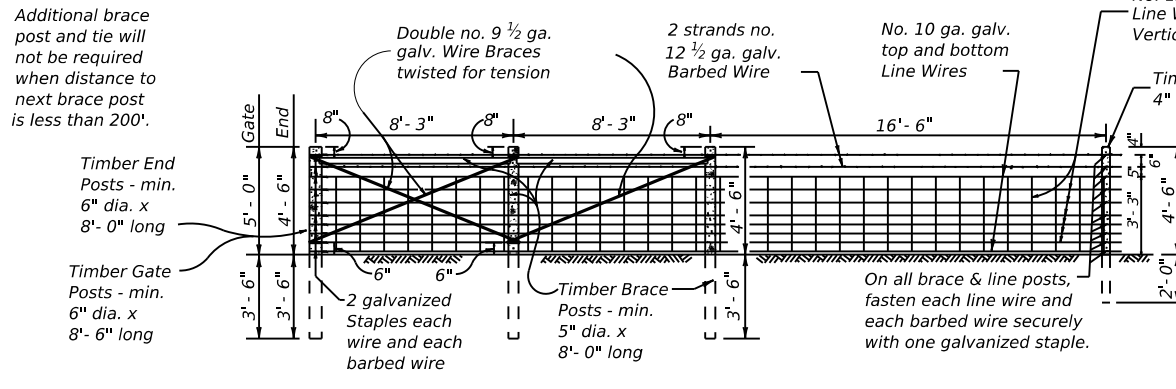


SECTION GALVANIZED BARBED WIRE FENCE WITH WOOD POSTS

Bracing Detail Used at Ends and Gates

TYPE "A" FENCE

(See General Note 6)



SECTION GALVANIZED WOVEN WIRE FENCE WITH WOOD POSTS

Bracing Detail Used at Ends and Gates

TYPE "B" FENCE

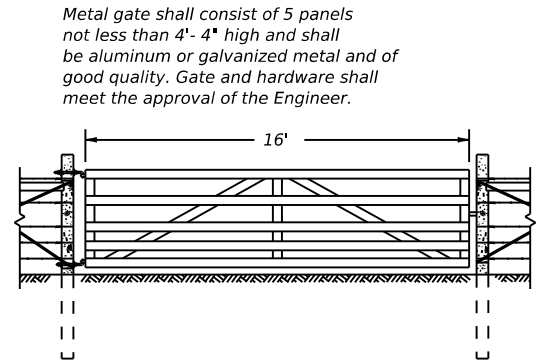
(See General Note 6)

TABLE OF EQUIVALENT SIZES FOR OPTIONAL SHAPE

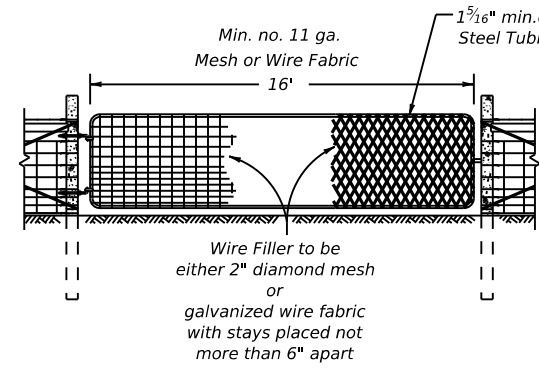
Minimum Diameter of Round Post (Inches)	Minimum Equivalent Dimension for Each Side of Square Post (Inches)
4	3 1/2
5	4 1/2
6	5 1/4

GENERAL NOTES

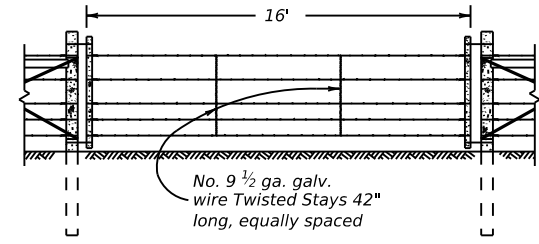
- Any high point which interferes with the placing of wire mesh shall be excavated to provide 2" clearance.
- Latches for Type 1 and Type 2 gates shall be good commercial quality and design latches of the spring, fork or chain type. All latches shall be suitable for the gate and shall be approved by the Engineer.
- Hinges for Type 2 gates shall be commercial design approved by the Engineer suitable for post and gate.
- Concrete shall be of the design and consistency approved by the Engineer and shall contain not less than 4 sacks of cement per cubic yard. Concrete footings are to be crowned at the top to shed water.
- If rock is encountered at a depth less than the embedded depth required, a 15" or larger diameter hole shall be drilled for the post and the post shall be set in concrete. If rock is encountered at a depth of 1'-6" or more below the ground surface, the hole shall be drilled to the required depth. If rock is encountered at a depth less than 1'-6" below the ground surface, the holes shall be drilled a minimum of 2'-0" into the rock or to the depth whichever is the lesser depth.
- Barbed Wire shall be in accordance with ASTM A 121 (Class 1) Design designation 12-2-4-1 4R or 12-2-5-1 4R, or as approved by the Engineer.  
Woven Wire Fence (Type B) shall be in accordance with ASTM A 116 (Class 1) No. 12-1/2 Grade 60 (See Table 1 ASTM A 116) to the height and design shown on the plans, or as approved by the Engineer.
- The location of gates and corner posts will be as indicated elsewhere on these plans.
- Square wood posts may be used in lieu of round posts provided minimum equivalent size requirements, as shown are met. All wood posts shall be in accordance with Item 552, "Wire Fence."



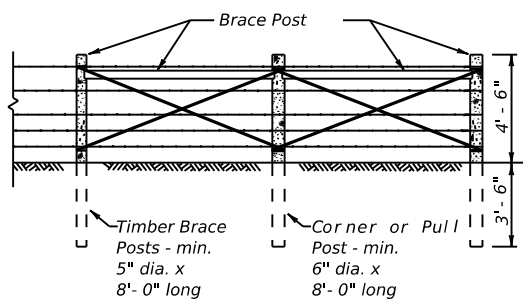
DETAIL TYPE 1 GATE



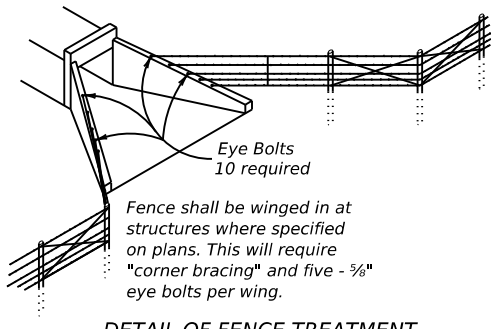
DETAIL TYPE 2 GATE



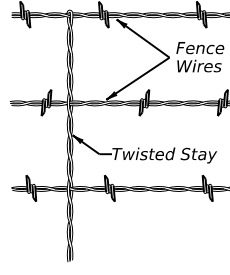
DETAIL TYPE 3 GATE



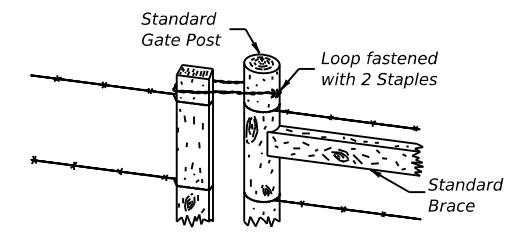
CORNER OR PULL POST ASSEMBLY



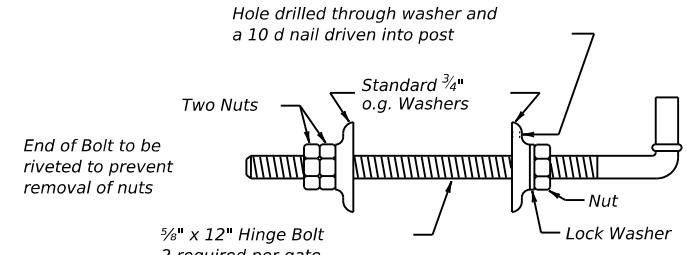
DETAIL OF FENCE TREATMENT AT STRUCTURES



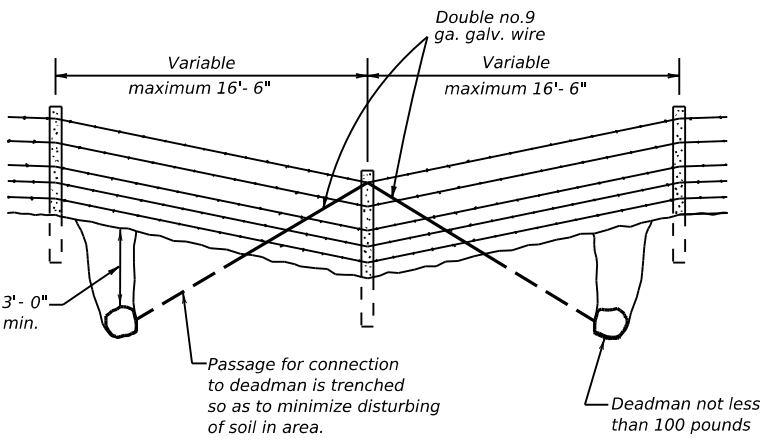
DETAIL OF STAY (Barbed wire fence)



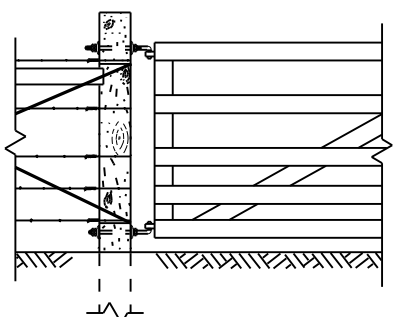
DETAIL FASTENER TYPE 3 GATE



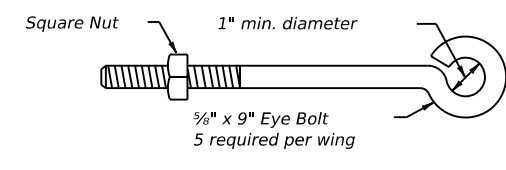
DETAIL OF GATE HINGE BOLT ASSEMBLY



DETAIL OF FENCE SAG (Single Line Connection)



DETAIL SHOWING INSTALLATION OF HINGES OF TYPE 1 & 2 GATE



DETAIL OF EYE BOLT

				<b>Design Division Standard</b>	
<h2>BARBED WIRE AND WOVEN WIRE FENCE (WOOD POSTS)</h2> <h3>WF (1) - 10</h3>					
FILE: wf110.dgn	DN: TxDOT	CK: AM	DW: VP	CK:	
© TxDOT 1994	CONT	SECT	JOB	HIGHWAY	
REVISIONS			DIST	COUNTY	SHEET NO.