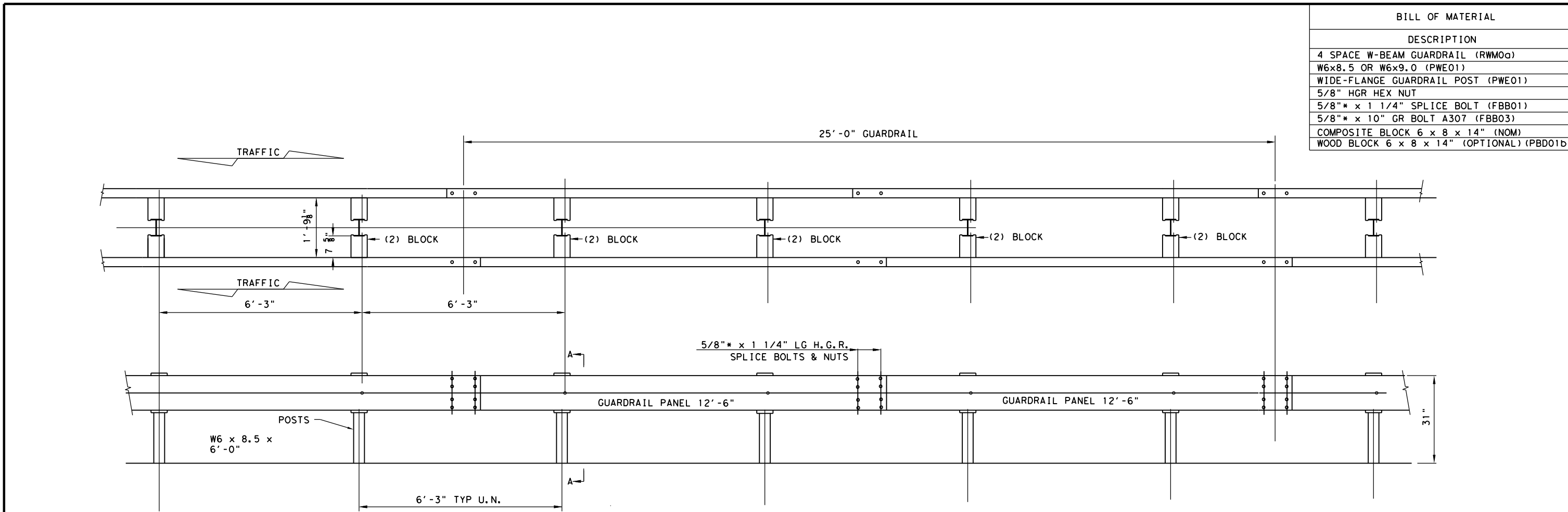


DISCLAIMER: The use of this standard is governed by the "Texas Engineering Practice Act". No warranty of any kind is made by TxDOT for any purpose whatsoever. TxDOT assumes no responsibility for the conversion of this standard to other formats or for incorrect results or damages resulting from its use.

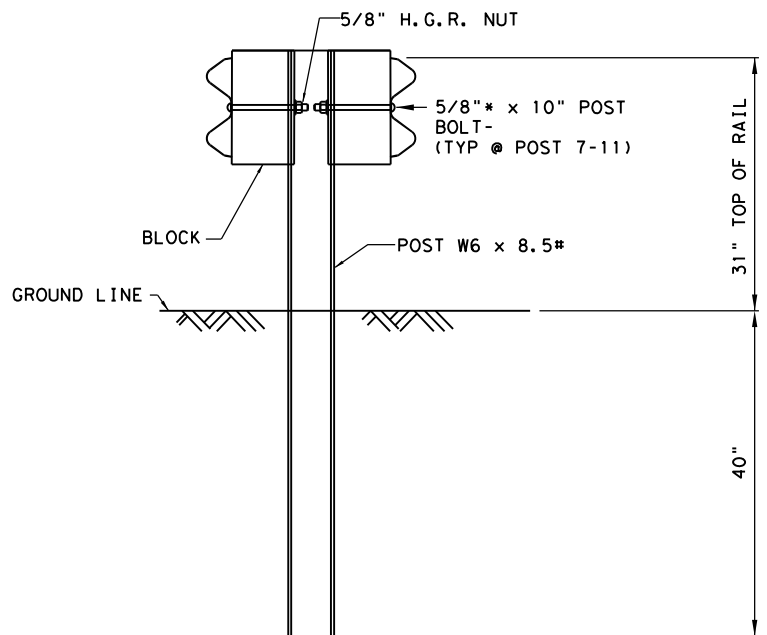
DATE: FILE:



BILL OF MATERIAL	
DESCRIPTION	
4	SPACE W-BEAM GUARDRAIL (RWM00)
	W6x8.5 OR W6x9.0 (PWE01)
	WIDE-FLANGE GUARDRAIL POST (PWE01)
	5/8" HGR HEX NUT
	5/8" * x 1 1/4" SPLICE BOLT (FBB01)
	5/8" * x 10" GR BOLT A307 (FBB03)
	COMPOSITE BLOCK 6 x 8 x 14" (NOM)
	WOOD BLOCK 6 x 8 x 14" (OPTIONAL) (PBD01b)

GENERAL NOTES

- RAIL ELEMENTS SHALL MEET THE REQUIREMENTS OF ITEM 540, "METAL BEAM GUARD FENCE" EXCEPT AS MODIFIED IN THE PLANS. THE CONTRACTOR MAY FURNISH RAIL ELEMENTS OF 25'-0", OR 12'-6" (NOM.) LENGTHS. RAIL ELEMENTS MAY HAVE SLOTTED HOLES AT 3'-1 1/2" C-C OR 6'-3" C-C.
- BUTTON HEAD "POST BOLTS & NUTS" SHALL MEET THE REQUIREMENTS OF (ASTM A307), AND SHALL BE OF SUFFICIENT LENGTH TO EXTEND THROUGH THE FULL THICKNESS OF THE NUT AND 5/8" WASHER (FWC160) AND NOT MORE THAN 1" BEYOND IT. TRIM REMAINING BOLT LENGTH TO MEET REQUIRED LENGTH.
- FITTINGS (BOLTS, NUTS, AND WASHERS) SHALL BE GALVANIZED IN ACCORDANCE WITH ITEM 445, "GALVANIZING." FITTINGS SHALL BE SUBSIDIARY TO THE BID ITEM.
- THE LATERAL APPROACH TO THE W-BEAM MEDIAN BARRIER SHALL HAVE A MAXIMUM SLOPE OF 1V:10H. CONTACT THE DESIGN DIVISION (ROADWAY STANDARDS) AT (512) 416-2678 FOR ALTERNATIVE SITE CONDITIONS.
- POSTS SHALL NOT BE SET IN CONCRETE OR ASPHALT OF ANY DEPTH. POSTS MAY BE SET IN A MOW STRIP WITH THE GROUT MIXTURE AS SPECIFIED IN STANDARD GF(31)MS; THERE SHALL BE A MINIMUM OF 7 INCHES BETWEEN THE BACK OF THE POSTS AND A REINFORCED CONCRETE MOW STRIP. THE PAYMENT OF MOW STRIP SHALL BE PER THE RESPECTIVE MOW STRIP PAY ITEM.
- SPECIAL FABRICATION WILL BE REQUIRED AT INSTALLATION LOCATIONS HAVING A CURVATURE OF LESS THAN 150 FT. RADIUS.
- UNLESS OTHERWISE SHOWN IN THE PLANS, A COMPOSITE MATERIAL BLOCK THAT MEETS THE REQUIREMENTS OF DMS-7210, "COMPOSITE MATERIAL POSTS AND BLOCKS FOR METAL BEAM GUARD FENCE" MAY BE SUBSTITUTED FOR BLOCKS OF SIMILAR DIMENSIONS. THE CONSTRUCTION DIVISION, TxDOT MAINTAINS A MATERIAL PRODUCER LIST (MPL) FOR PRODUCERS OF MATERIALS CONFORMING TO DMS-7210 ONLY PRODUCERS ON THE MPL MAY FURNISH COMPOSITE MATERIAL BLOCKS.
- GUARDRAIL HEIGHT MEASUREMENT: WHEN THE GUARDRAIL IS LOCATED ABOVE PAVEMENT, MEASURE THE HEIGHT FROM THE PAVEMENT TO THE TOP OF THE W-BEAM RAIL. WHEN THE GUARDRAIL IS LOCATED UP TO 2 FT. OFF OF THE EDGE OF PAVEMENT OR FOR A PAVEMENT OVERLAY, USE A 10-FOOT STRAIGHTEDGE TO EXTEND THE PAVEMENT/SHOULDER SLOPE TO THE BACK OF RAIL, MEASURE FROM THE BOTTOM OF STRAIGHTEDGE TO THE TOP OF RAIL. FOR GUARDRAIL LOCATED DOWN A 10:1 SLOPE, MEASURE FROM THE NOMINAL TERRAIN.
- THE MINIMUM LENGTH OF INSTALLATION OF THE SYSTEM IS 100 FT. FOR MASH TL-3 CRASH CONDITIONS A PERMANENT DEFLECTION OF 29.5 INCHES, DYNAMIC DEFLECTION OF 39.0 INCHES, AND WORKING WIDTH OF 55 INCHES ARE ANTICIPATED.
- THE SYSTEM END POINTS MUST BE ADEQUATELY SHIELDED WITH AN APPROVED END TREATMENT.
- PAYMENT OF SYSTEM SHALL BE PER BID CODE "540 XXXX MBGF (W-BEAM) (MED BAR)" BY LF.



SECTION A-A
(TYP POSTS)

NOTE: 1. LAP ALL SPLICES SHOWN WITHIN THIS DRAWING IN THE DIRECTION OF THE ADJACENT TRAFFIC, UNLESS INDICATED OTHERWISE BY APPROPRIATE SPECIFYING AGENCY.

		Design Division Standard	
<h2>W-BEAM MEDIAN BARRIER MASH TL-3</h2> <h3>WMED-23</h3>			
FILE: wmed23.dgn	DN: TxDOT	CK: KM	DW: CES
© TxDOT: 2023	CONT	SECT	JOB
REVISIONS		HIGHWAY	
DIST	COUNTY	SHEET NO.	