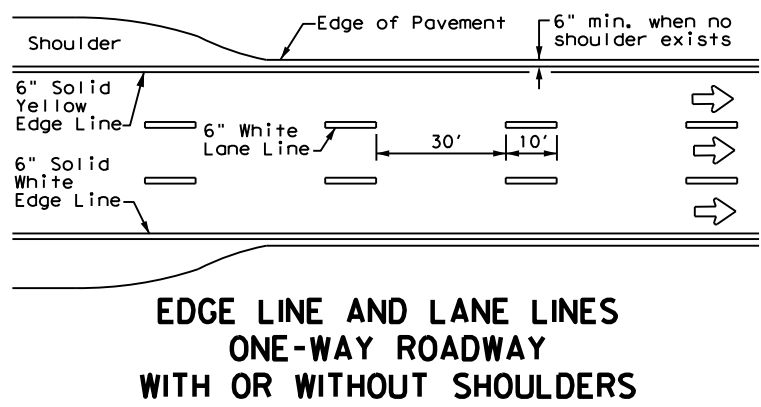
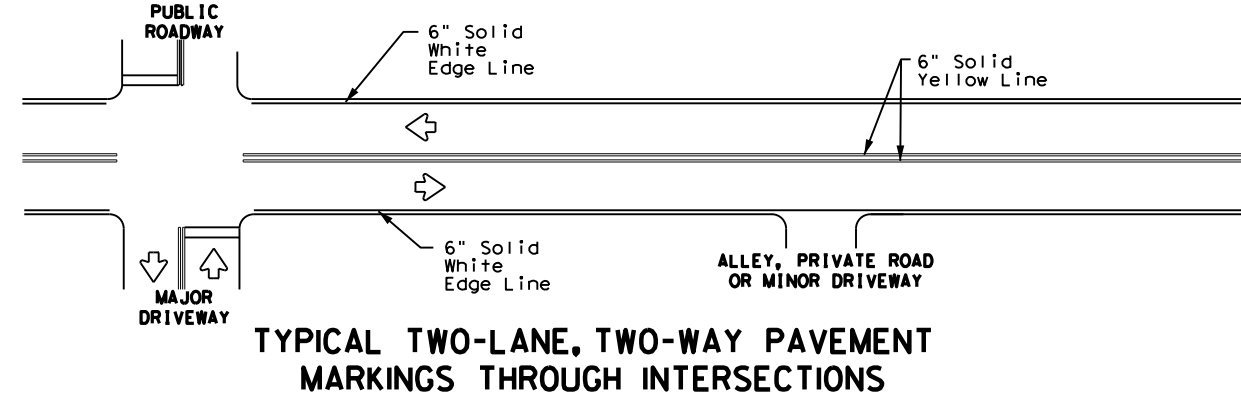


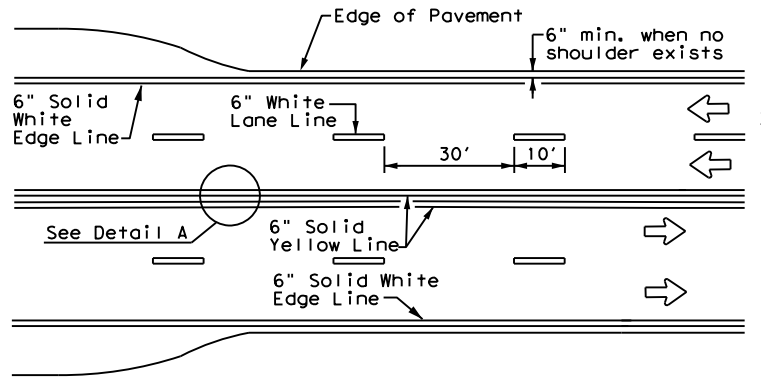
DISCLAIMER: The use of this standard is governed by the "Texas Engineering Practice Act". No warranty of any kind is made by TxDOT for any purpose whatsoever. TxDOT assumes no responsibility for the conversion of this standard to other formats or for incorrect results or damages resulting from its use.



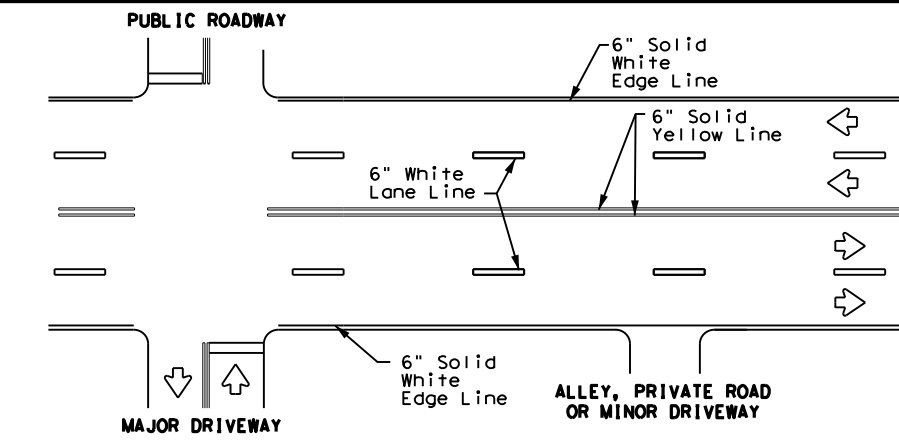
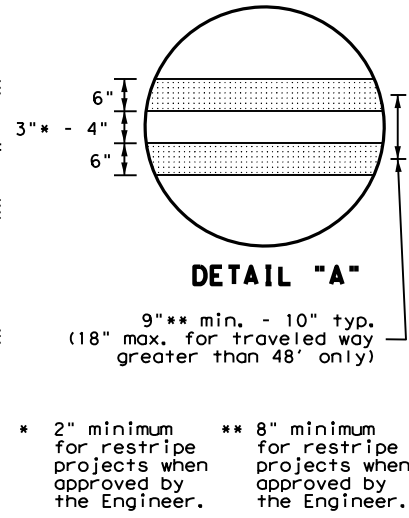
**EDGE LINE AND LANE LINES
ONE-WAY ROADWAY
WITH OR WITHOUT SHOULDERS**



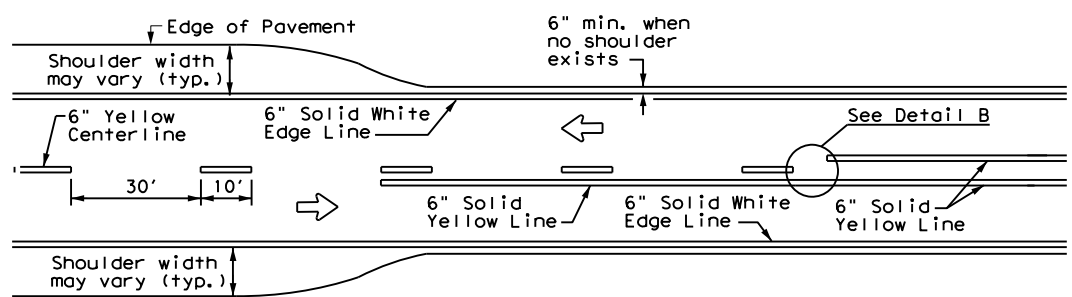
**TYPICAL TWO-LANE, TWO-WAY PAVEMENT
MARKINGS THROUGH INTERSECTIONS**



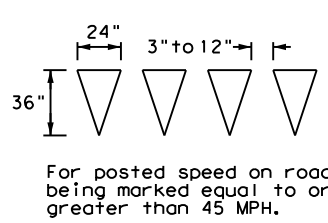
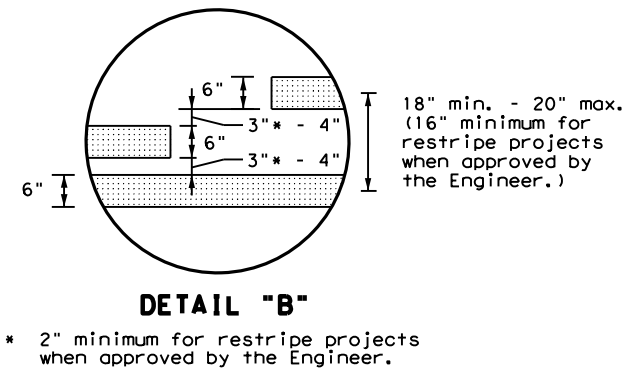
**CENTERLINE AND LANE LINES
FOUR LANE TWO-WAY ROADWAY
WITH OR WITHOUT SHOULDERS**



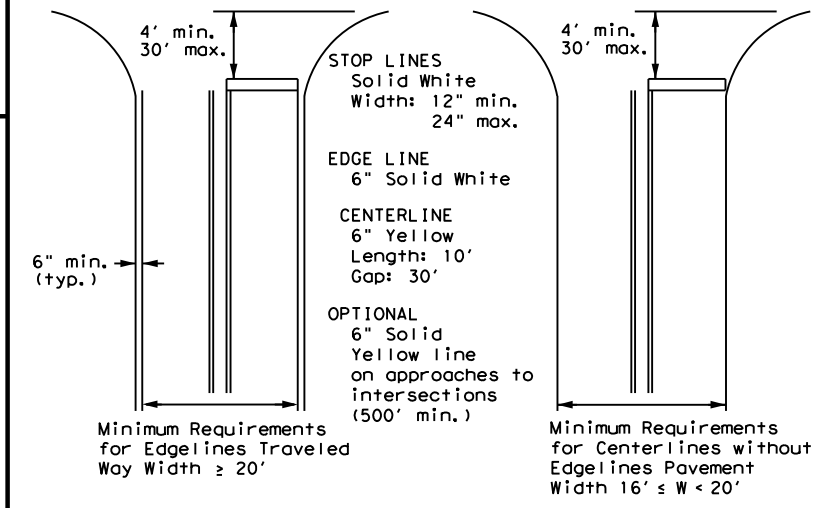
**TYPICAL MULTI-LANE, TWO-WAY PAVEMENT
MARKINGS THROUGH INTERSECTIONS**



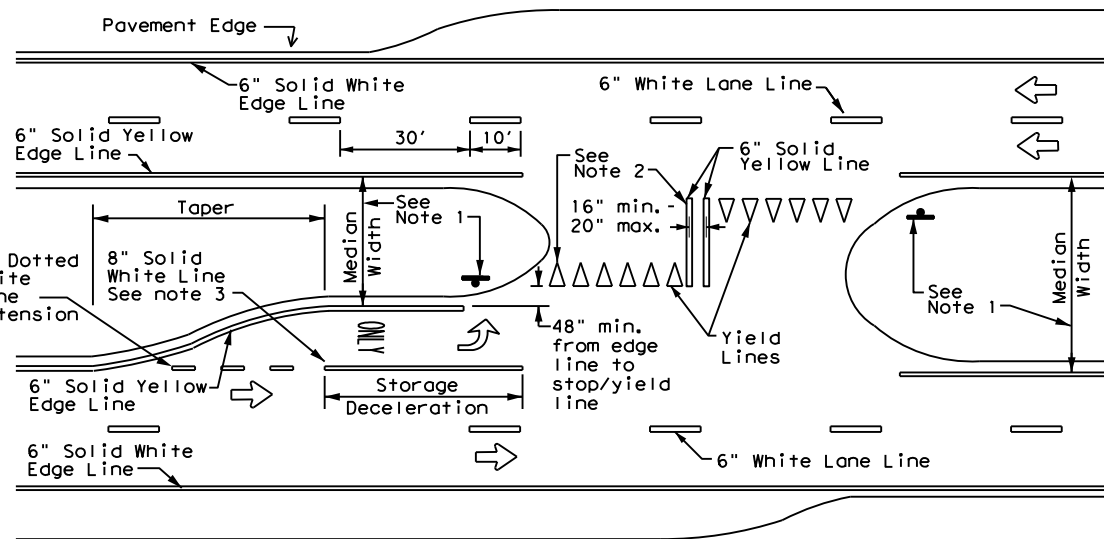
**TWO LANE TWO-WAY ROADWAY
WITH OR WITHOUT SHOULDERS**



YIELD LINES



**GUIDE FOR PLACEMENT OF STOP LINES,
EDGE LINE & CENTERLINE**
 Based on Traveled Way and Pavement Widths for Undivided Roadways



FOUR LANE DIVIDED ROADWAY CROSSOVERS

NOTES

- Where divided highways are separated by median widths at the median opening itself of 30 feet or more, median openings shall be signed as two separate intersections. Each median opening has two width measurements, with one measurement for each approach. The narrow median width will be the controlling width to determine if signs are required. Yield signs are the typical intersection control. Stop signs and stop bars are optional as determined by the Engineer.
- Install median striping (double yellow centerlines and stop lines/yield lines) when a 50' or greater median centerline can be placed. Stop lines shall only be used with stop signs. Yield lines shall only be used with yield signs.
- Length of turn bays, including taper, deceleration, and storage lengths shall be as shown on the plans or as directed by the Engineer.

GENERAL NOTES

- Edge line striping shall be as shown in the plans or as directed by the Engineer. The edge line should not be placed less than 6 inches from the edge of pavement. This distance may vary due to pavement raveling or other conditions. Edge lines are not required in curb and gutter sections of roadways.
- The traveled way includes only that portion of the roadway used for vehicular travel. It does not include the parking lanes, sidewalks, berms and shoulders. The traveled ways shall be measured from the center of edge line to the center of edge line of a two lane roadway.

MATERIAL SPECIFICATIONS	
PAVEMENT MARKERS (REFLECTORIZED)	DMS-4200
EPOXY AND ADHESIVES	DMS-6100
BITUMINOUS ADHESIVE FOR PAVEMENT MARKERS	DMS-6130
TRAFFIC PAINT	DMS-8200
HOT APPLIED THERMOPLASTIC	DMS-8220
PERMANENT PREFABRICATED PAVEMENT MARKINGS	DMS-8240

All pavement marking materials shall meet the required Departmental Material Specifications as specified by the plans.



**TYPICAL STANDARD
PAVEMENT MARKINGS**

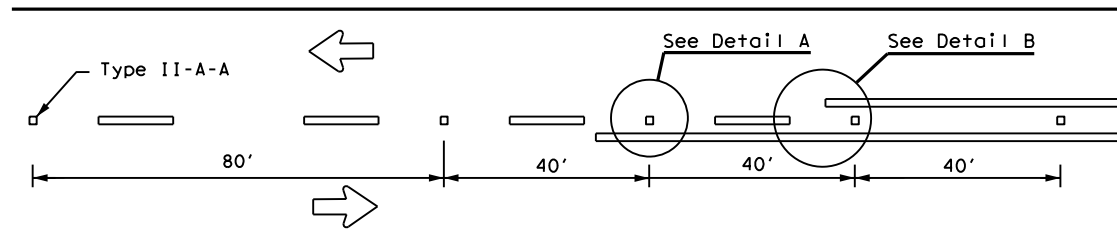
PM(1) - 22

FILE:	pm1-22.dgn	DN:	CK:	DW:	CK:
© TxDOT	December 2022	CONT	SECT	JOB	HIGHWAY
REVISIONS					
11-78	8-00	6-20			
8-95	3-03	12-22			
5-00	2-12				
DIST	COUNTY	SHEET NO.			

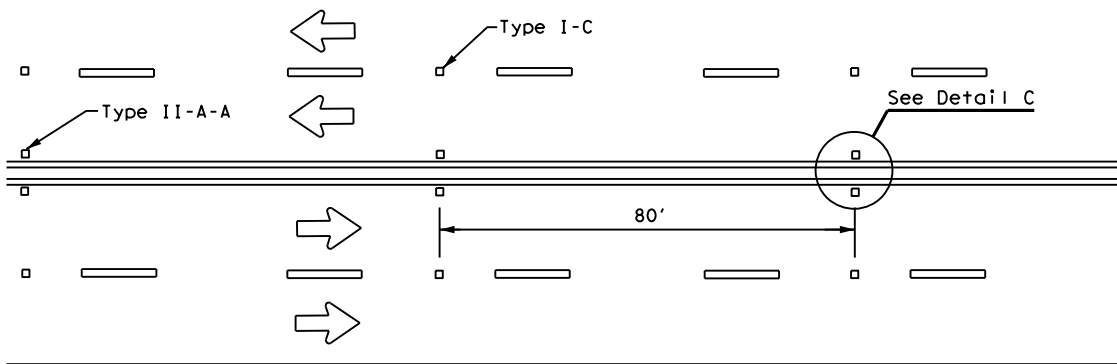
DATE:
FILE:

REFLECTIVE RAISED PAVEMENT MARKERS FOR VEHICLE POSITIONING GUIDANCE

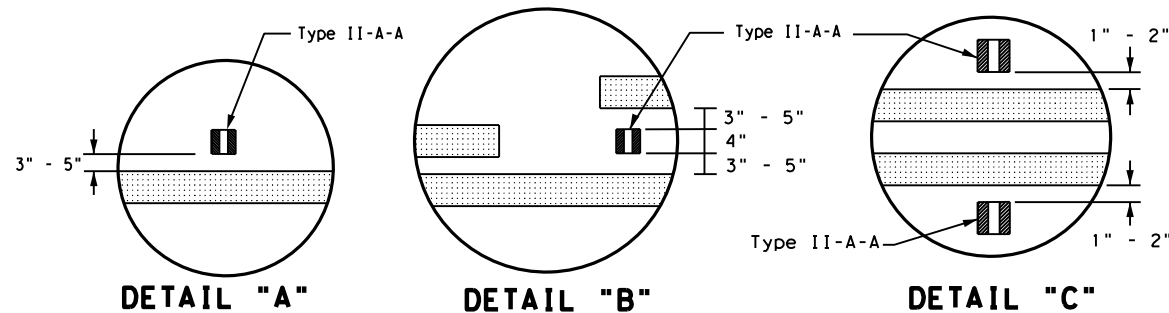
DISCLAIMER: The use of this standard is governed by the "Texas Engineering Practice Act". No warranty of any kind is made by TxDOT for any purpose whatsoever. TxDOT assumes no responsibility for the conversion of this standard to other formats or for incorrect results or damages resulting from its use.



CENTERLINE FOR ALL TWO LANE TWO-WAY ROADWAYS



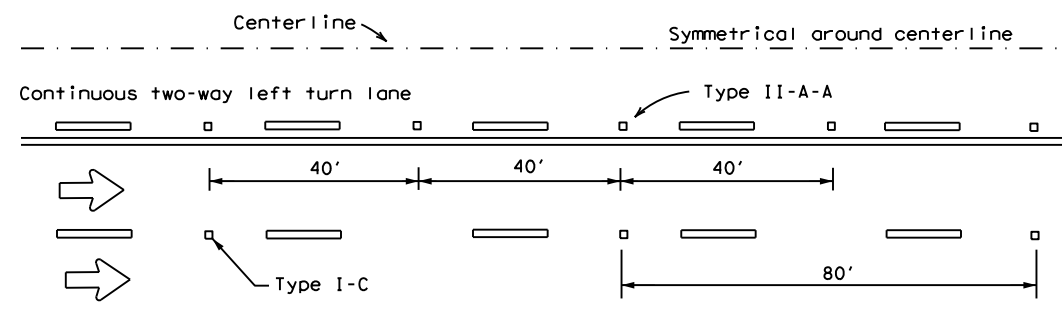
**CENTERLINE & LANE LINES
FOR FOUR LANE TWO-WAY ROADWAYS**



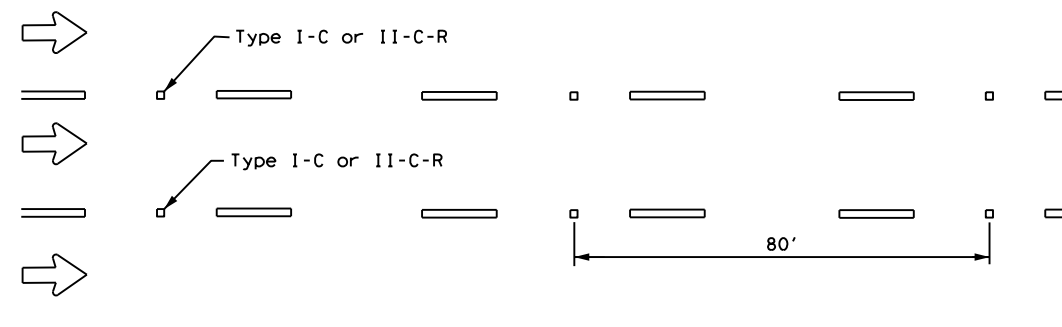
DETAIL "A"

DETAIL "B"

DETAIL "C"

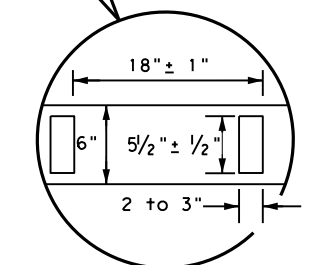
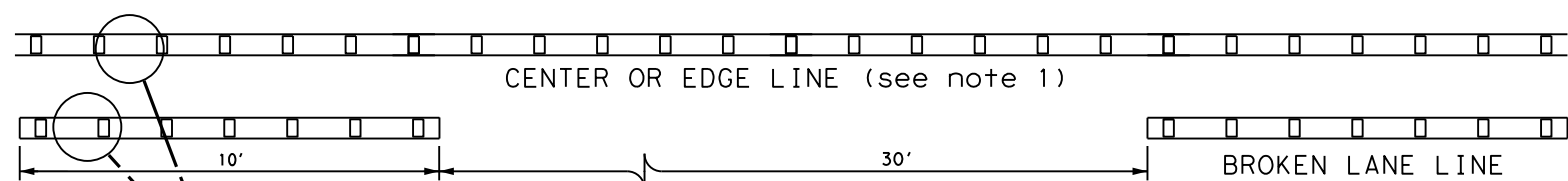


CENTERLINE AND LANE LINES FOR TWO-WAY LEFT TURN LANE



LANE LINES FOR ONE-WAY ROADWAY (NON-FREEWAY FACILITIES)

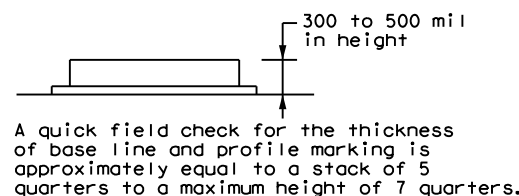
Raised pavement markers Type II-C-R shall have clear face toward normal traffic and red face toward wrong-way traffic.
See Note 3.



**REFLECTORIZED PROFILE
PATTERN DETAIL**

USING REFLECTIVE PROFILE PAVEMENT MARKINGS

6" EDGE LINE, 6" CENTERLINE
OR 6" LANE LINE

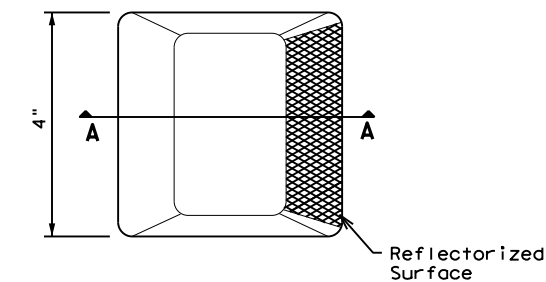


NOTES

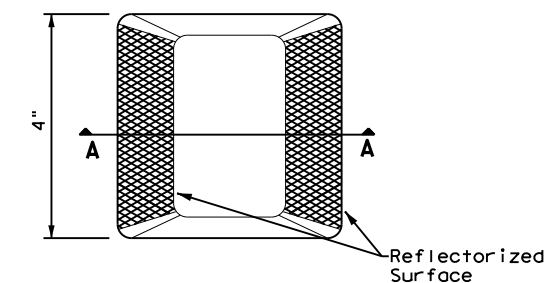
- Edge lines should typically be 6" wide and the materials shall be specified in the plans.
- Profile markings shall not be placed on roadways with a posted speed limit of 45 MPH or less.

MATERIAL SPECIFICATIONS	
PAVEMENT MARKERS (REFLECTORIZED)	DMS-4200
EPOXY AND ADHESIVES	DMS-6100
BITUMINOUS ADHESIVE FOR PAVEMENT MARKERS	DMS-6130
TRAFFIC PAINT	DMS-8200
HOT APPLIED THERMOPLASTIC	DMS-8220
PERMANENT PREFABRICATED PAVEMENT MARKINGS	DMS-8240

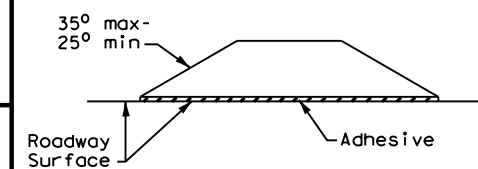
All pavement marking materials shall meet the required Departmental Material Specifications as specified by the plans.



Type I (Top View)



Type II (Top View)



SECTION A

RAISED PAVEMENT MARKERS

GENERAL NOTES

- All raised pavement markers placed along broken lines shall be placed in line with and midway between the stripes.
- On concrete pavements, the raised pavement markers should be placed to one side of the longitudinal joints.
- Use raised pavement marker Type I-C with undivided roadways, flush medians, and two way left turn lanes. Use raised pavement marker Type II-C-R with divided highways and raised medians.



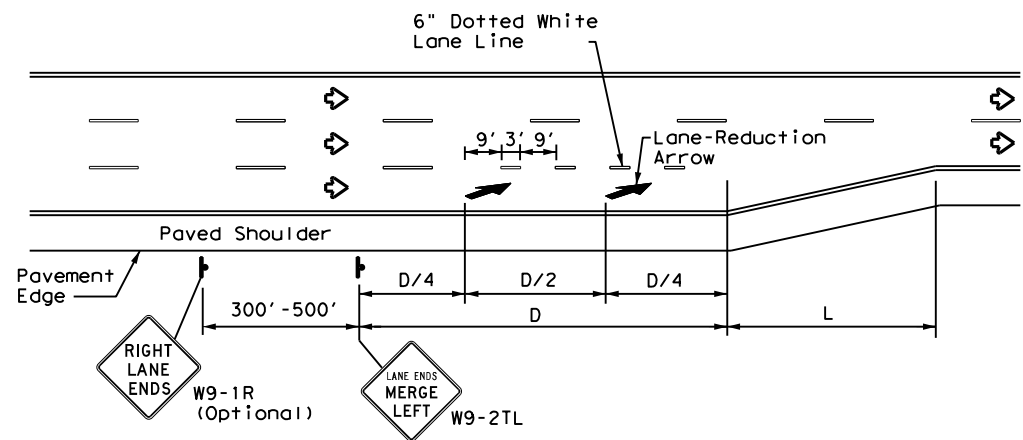
**POSITION GUIDANCE USING
RAISED MARKERS
REFLECTORIZED PROFILE
MARKINGS
PM(2) - 22**

FILE: pm2-22.dgn	DN:	CK:	DW:	CK:
© TxDOT December 2022	CONT	SECT	JOB	HIGHWAY
REVISIONS				
4-77	8-00	6-20		
4-92	2-10	12-22		
5-00	2-12			
DIST			COUNTY	SHEET NO.

DATE:
FILE:

DISCLAIMER: The use of this standard is governed by the "Texas Engineering Practice Act". No warranty of any kind is made by TxDOT for any purpose whatsoever. TxDOT assumes no responsibility for the conversion of this standard to other formats or for incorrect results or damages resulting from its use.

DATE: FILE:



LANE REDUCTION

NOTES

- Lane reduction pavement markings are used where the number of through lanes is reduced because of narrowing of the roadway or because of a section of on-street parking in what would otherwise be a through lane. For Texas Super 2 Passing Lanes, see TS2(PL) standard sheets.
- On divided highways, an additional RIGHT LANE ENDS (W9-1R) sign may be installed in the median aligned with the W9-1R sign on the right side of the highway.
- Lane reduction arrows are required for speeds of 45 mph or greater. An optional third lane reduction arrow may be added based on engineering judgement. If used, the optional third lane reduction arrow should be centered between the first and last lane reduction arrows.
- For lane reductions on Freeways and Expressways, signing shall conform to the TxDOT Freeway Signing Handbook.

ADVANCED WARNING SIGN DISTANCE (D)

Posted Speed	D (ft)	L (ft)
30 MPH	460	$L = \frac{WS^2}{60}$
35 MPH	565	
40 MPH	670	
45 MPH	775	L=WS
50 MPH	885	
55 MPH	990	
60 MPH	1,100	
65 MPH	1,200	
70 MPH	1,250	
75 MPH	1,350	

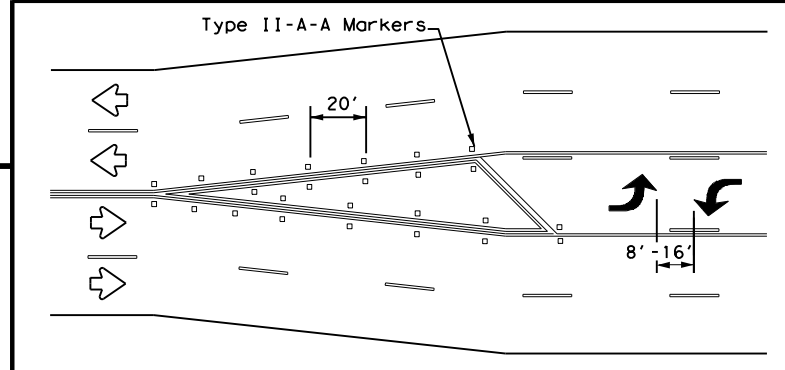
GENERAL NOTES

- Lane use word and arrow markings shall be used where through lanes approaching an intersection become mandatory turn lanes. Lane use word and arrow markings should be used in auxiliary lanes of substantial length. Lane use arrow markings or word and arrow markings may be used in other lanes and turn bays for emphasis. Details for words and arrows are as shown in the Standard Highway Sign Designs for Texas.
- When lane-use words and arrow markings are used, two sets of arrows should be used if the length of the bay is greater than 180 feet. When a single lane use arrow or word and arrow marking is used for a short turn lane, it should be located at or near the upstream end of the full-width turn lane.
- Use raised pavement marker Type I-C with undivided highways, flush medians and two way left turn lanes. Use raised pavement marker Type II-C-R with divided highways and raised medians.
- Length of turn bays, including taper, deceleration, and storage lengths shall be as shown on the plans or as directed by the Engineer. See Chapter 3 of the Roadway Design Manual for additional information on turning lanes or storage lengths.

MATERIAL SPECIFICATIONS

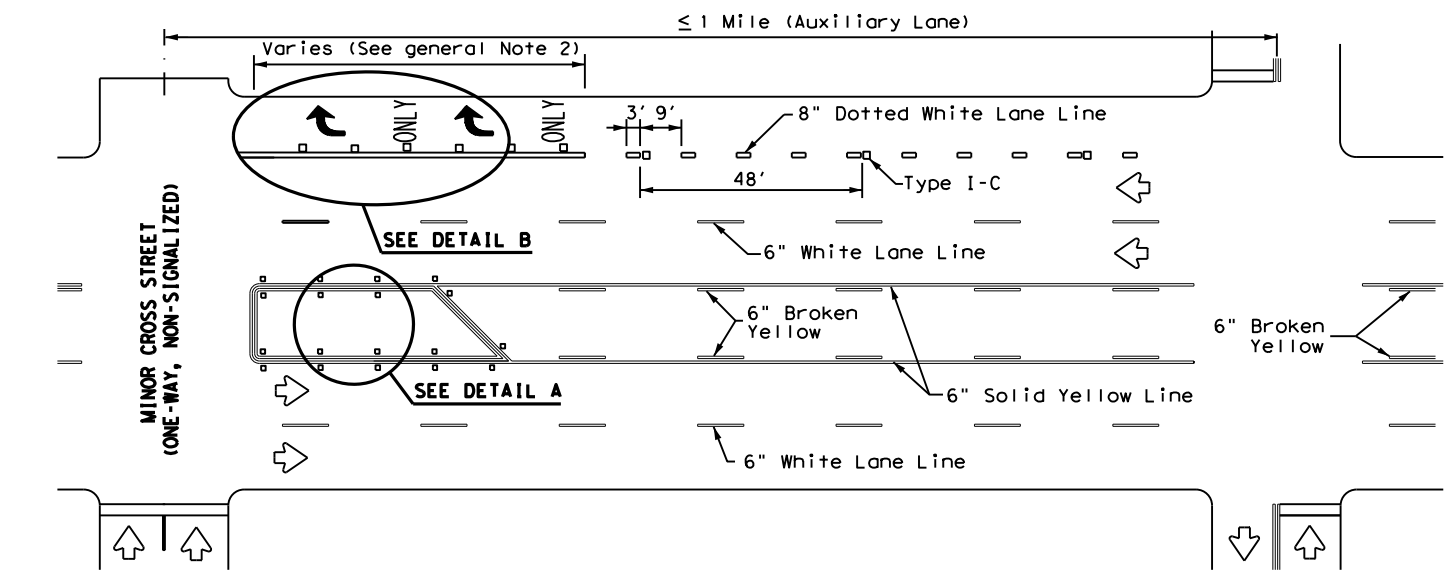
PAVEMENT MARKERS (REFLECTORIZED)	DMS-4200
EPOXY AND ADHESIVES	DMS-6100
BITUMINOUS ADHESIVE FOR PAVEMENT MARKERS	DMS-6130
TRAFFIC PAINT	DMS-8200
HOT APPLIED THERMOPLASTIC	DMS-8220
PERMANENT PREFABRICATED PAVEMENT MARKINGS	DMS-8240

All pavement marking materials shall meet the required Departmental Material Specifications as specified by the plans.

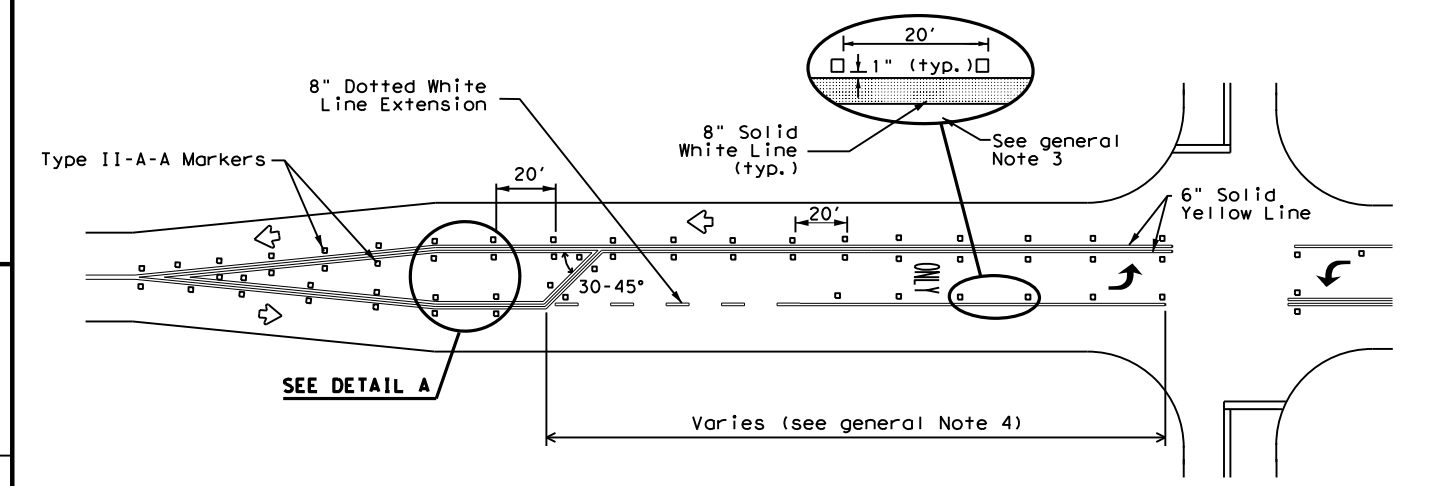


A two-way left-turn (TWLTL) lane-use arrow pavement marking should be used at or just downstream from the beginning of a two-way left-turn lane within a corridor. Repeating the marking after each intersection or dedicated turn bay is not required unless stated elsewhere in the plans.

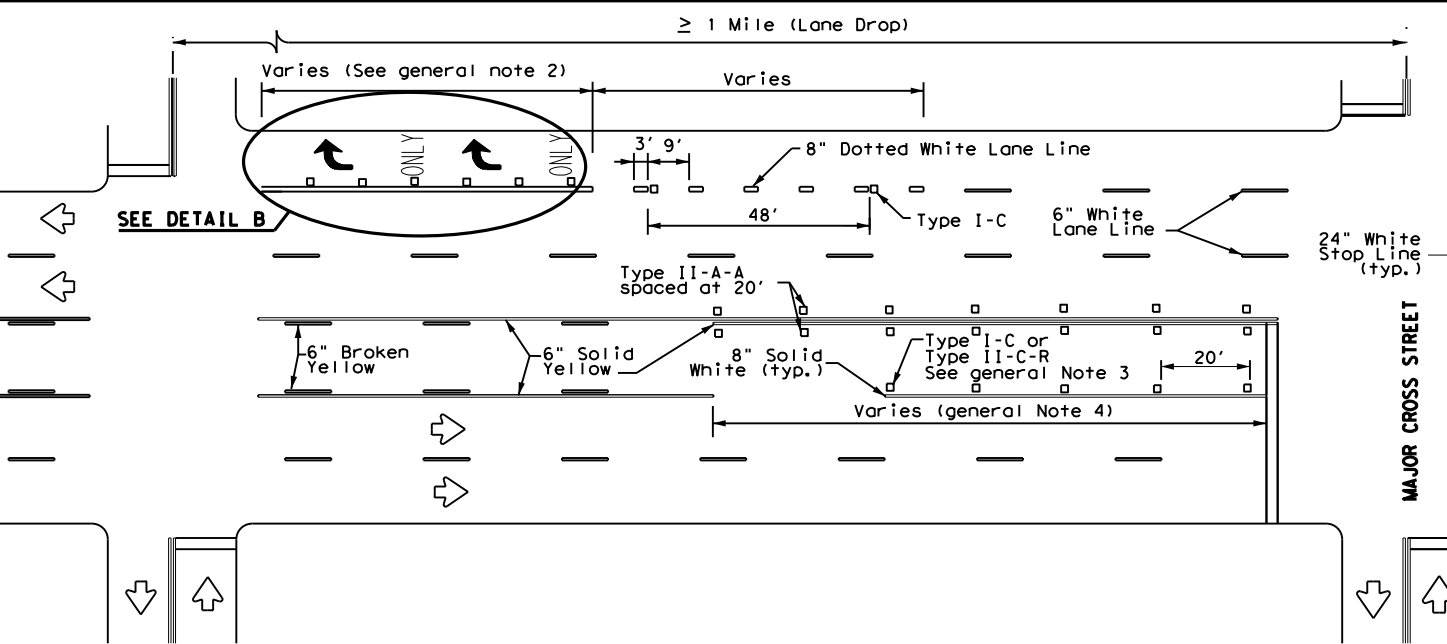
TYPICAL TRANSITION FOR TWLTL AND DIVIDED HIGHWAY



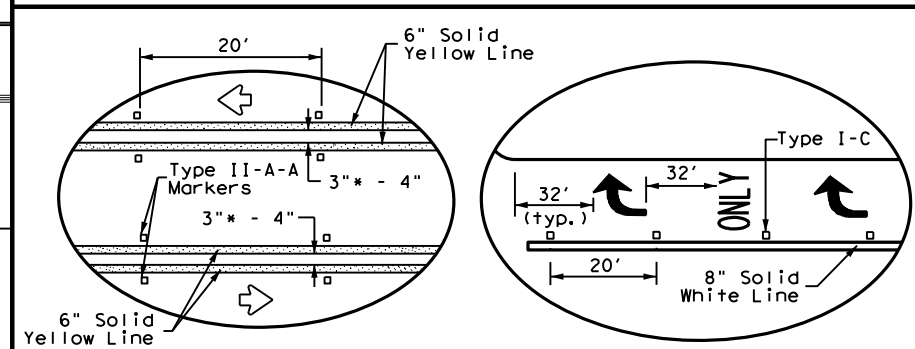
TYPICAL TWLTL AT ONE-WAY STREET AND RIGHT TURN AUXILIARY LANE



TYPICAL TWO-LANE ROADWAY INTERSECTION WITH LEFT TURN BAYS



TYPICAL TWLTL AT TWO-WAY CROSS STREET AND RIGHT TURN LANE DROP



DETAIL A

DETAIL B

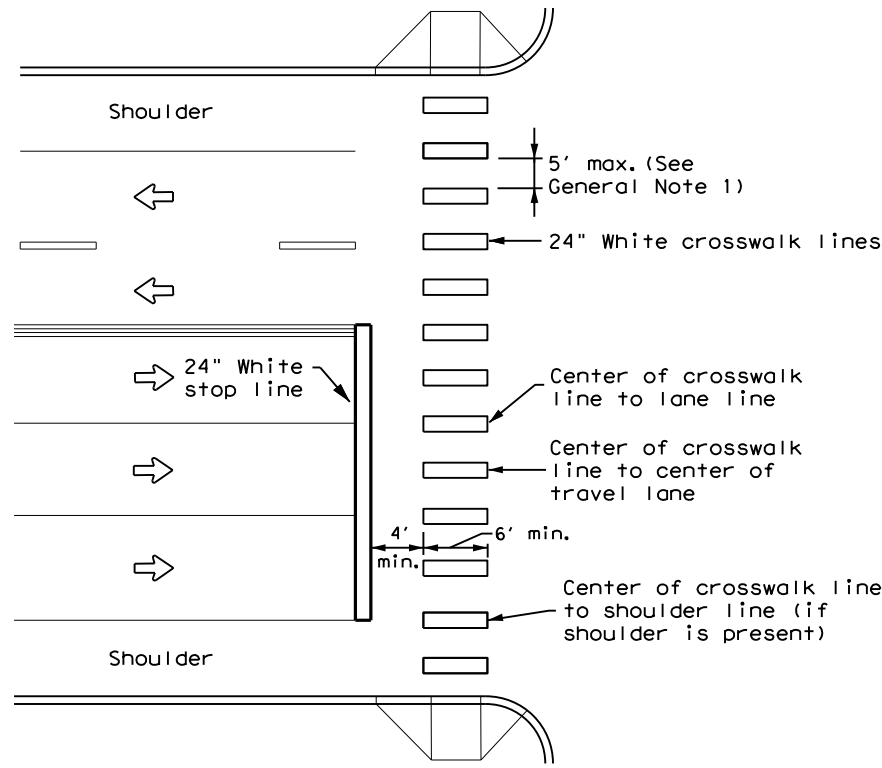
* 2" minimum allowed for restripe projects when approved by the Engineer.

Texas Department of Transportation
Traffic Safety Division Standard

TWO-WAY LEFT TURN LANES, RURAL LEFT TURN BAYS, AND LANE REDUCTION PAVEMENT MARKINGS PM(3) - 22

FILE: pm3-22.dgn	DN:	CK:	DW:	CK:
© TxDOT Revision 2022	CONT	SECT	JOB	HIGHWAY
REVISIONS	DIST	COUNTY	SHEET NO.	
4-98 3-03 6-20				
5-00 2-10 12-22				
8-00 2-12				

DISCLAIMER: The use of this standard is governed by the "Texas Engineering Practice Act". No warranty of any kind is made by TxDOT for any purpose whatsoever. TxDOT assumes no responsibility for the conversion of this standard to other formats or for incorrect results or damages resulting from its use.



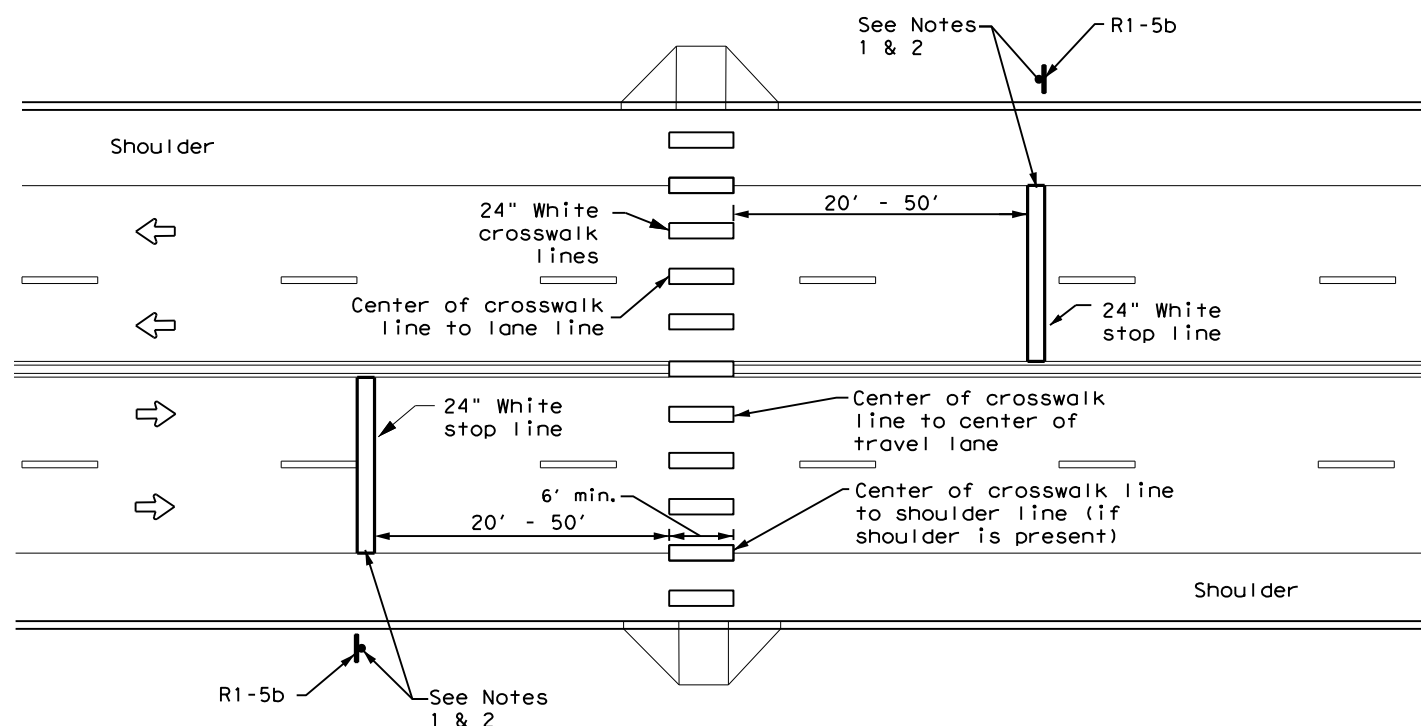
HIGH-VISIBILITY LONGITUDINAL CROSSWALK AT CONTROLLED APPROACH

GENERAL NOTES

1. Longitudinal crosswalk lines should not be placed in the wheel path of vehicles. Center the crosswalk lines on travel lanes, lane lines, and shoulder lines (if present).
2. A minimum 6" clear distance shall be provided to the curb face. If the last crosswalk line falls into this distance it must be omitted.
3. For divided roadways, adjustments in spacing of the crosswalk lines should be made in the median so that the crosswalk lines are maintained in their proper location across the travel portion of the roadway.
4. At skewed crosswalks, the crosswalk lines are to remain parallel to the lane lines.
5. Each crosswalk shall be a minimum of 6' wide.
6. The High-Visibility Longitudinal Crosswalk is the preferred crosswalk pattern on State Highways. Other crosswalk patterns as shown in the "Texas Manual on Uniform Traffic Control Devices" may be used. All crosswalk designs and dimension shall comply with the "Texas Manual on Uniform Traffic Control Devices."
7. Final placement of Stop Bar and Crosswalk shall be approved by the Engineer in the field.

MATERIAL SPECIFICATIONS	
PAVEMENT MARKERS (REFLECTORIZED)	DMS-4200
EPOXY AND ADHESIVES	DMS-6100
BITUMINOUS ADHESIVE FOR PAVEMENT MARKERS	DMS-6130
TRAFFIC PAINT	DMS-8200
HOT APPLIED THERMOPLASTIC	DMS-8220
PERMANENT PREFABRICATED PAVEMENT MARKINGS	DMS-8240

All pavement marking materials shall meet the required Departmental Material Specifications as specified by the plans.



UNSIGNALIZED MIDBLOCK HIGH-VISIBILITY LONGITUDINAL CROSSWALK

NOTES:

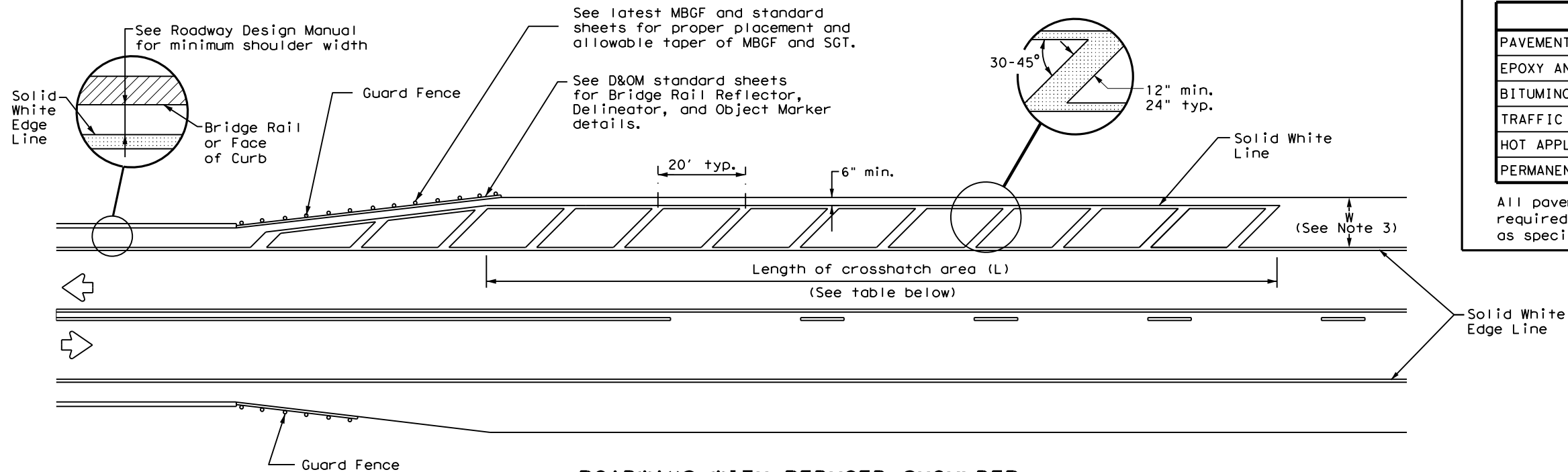
1. Use stop bars with Stop Here For Pedestrians (R1-5b) signs at unsignalized midblock crosswalks.
2. Use stop bars with STOP HERE ON RED (R10-6 or R10-6a) signs at mid block crosswalks controlled by traffic signals or pedestrian hybrid beacons.

<p>CROSSWALK PAVEMENT MARKINGS</p> <p>PM(4) - 22A</p>			
FILE: pm4-22a.dgn	DN:	CK:	DW:
© TxDOT December 2022	CONT	SECT	JOB
REVISIONS			
6-20			
6-22			
12-22			
	DIST	COUNTY	SHEET NO.
			22D

DATE:
FILE:

DISCLAIMER: The use of this standard is governed by the "Texas Engineering Practice Act". No warranty of any kind is made by TxDOT for any purpose whatsoever. TxDOT assumes no responsibility for the conversion of this standard to other formats or for incorrect results or damages resulting from its use.

DATE:
FILE:



ROADWAYS WITH REDUCED SHOULDER WIDTHS ACROSS BRIDGE OR CULVERT

CROSSHATCH LENGTH (L)	
Posted Speed (MPH)	L (ft)
30	300 ft
35	
40	
45	
50	500 ft
55	
60	
65	
70	
75	

NOTES

1. Edge line striping shall be as shown in the plans or as directed by the Engineer. The edge line should not be placed less than 4 inches from the bridge rail or face of curb or 6 inches from the edge of pavement. This distance may vary due to pavement raveling or other conditions.
2. No-passing zone on bridge approach is optional. If used, the no-passing zone shall be a minimum 500 feet long from the beginning of the bridge.
3. The crosshatching should be required if the shoulder width in advance of the bridge is 4 feet or wider and a reduction of at least 3 feet in shoulder width across the bridge occurs.
4. On divided highways, review both the right and left shoulder widths for the need for narrow bridge pavement markings.

MATERIAL SPECIFICATIONS

PAVEMENT MARKERS (REFLECTORIZED)	DMS-4200
EPOXY AND ADHESIVES	DMS-6100
BITUMINOUS ADHESIVE FOR PAVEMENT MARKERS	DMS-6130
TRAFFIC PAINT	DMS-8200
HOT APPLIED THERMOPLASTIC	DMS-8220
PERMANENT PREFABRICATED PAVEMENT MARKINGS	DMS-8240

All pavement marking materials shall meet the required Departmental Material Specifications as specified by the plans.

		<i>Texas Department of Transportation</i>		<i>Traffic Safety Division Standard</i>	
PAVEMENT MARKINGS FOR ROADWAYS WITH REDUCED SHOULDER WIDTHS ACROSS BRIDGE OR CULVERT PM(5) - 22					
FILE: pm5-22.dgn	DN: TxDOT	CK: TxDOT	DW: TxDOT	CR: TxDOT	
© TxDOT December 2022	CONT	SECT	JOB	HIGHWAY	
REVISIONS					
	DIST	COUNTY		SHEET NO.	