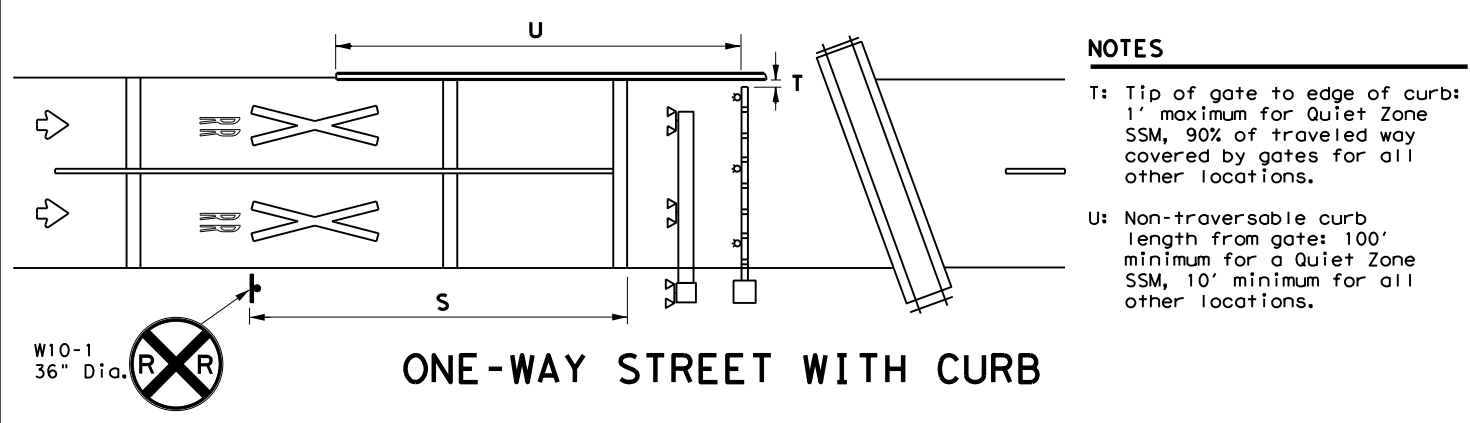
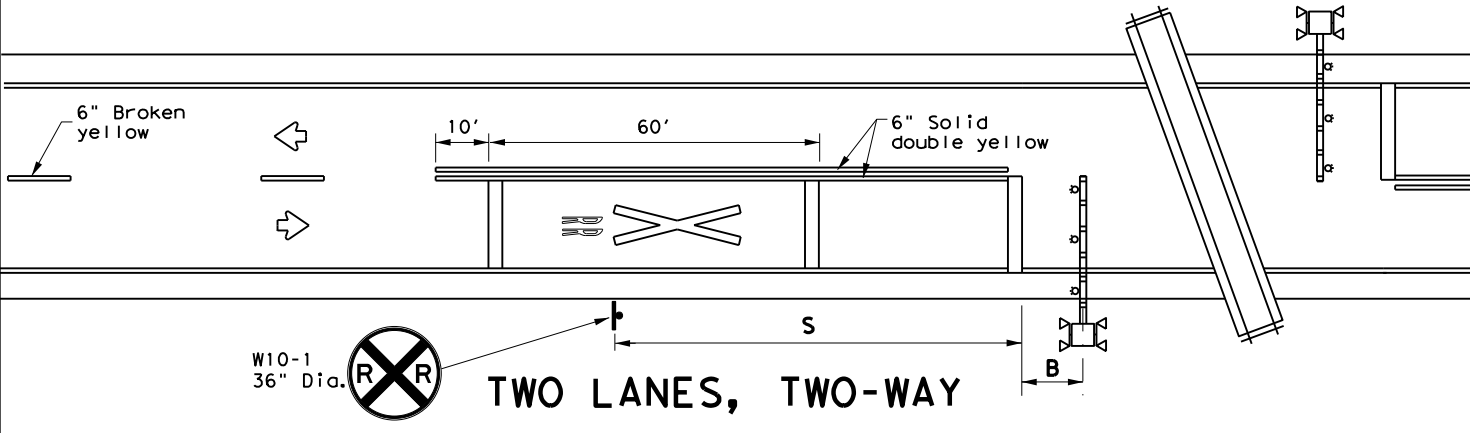
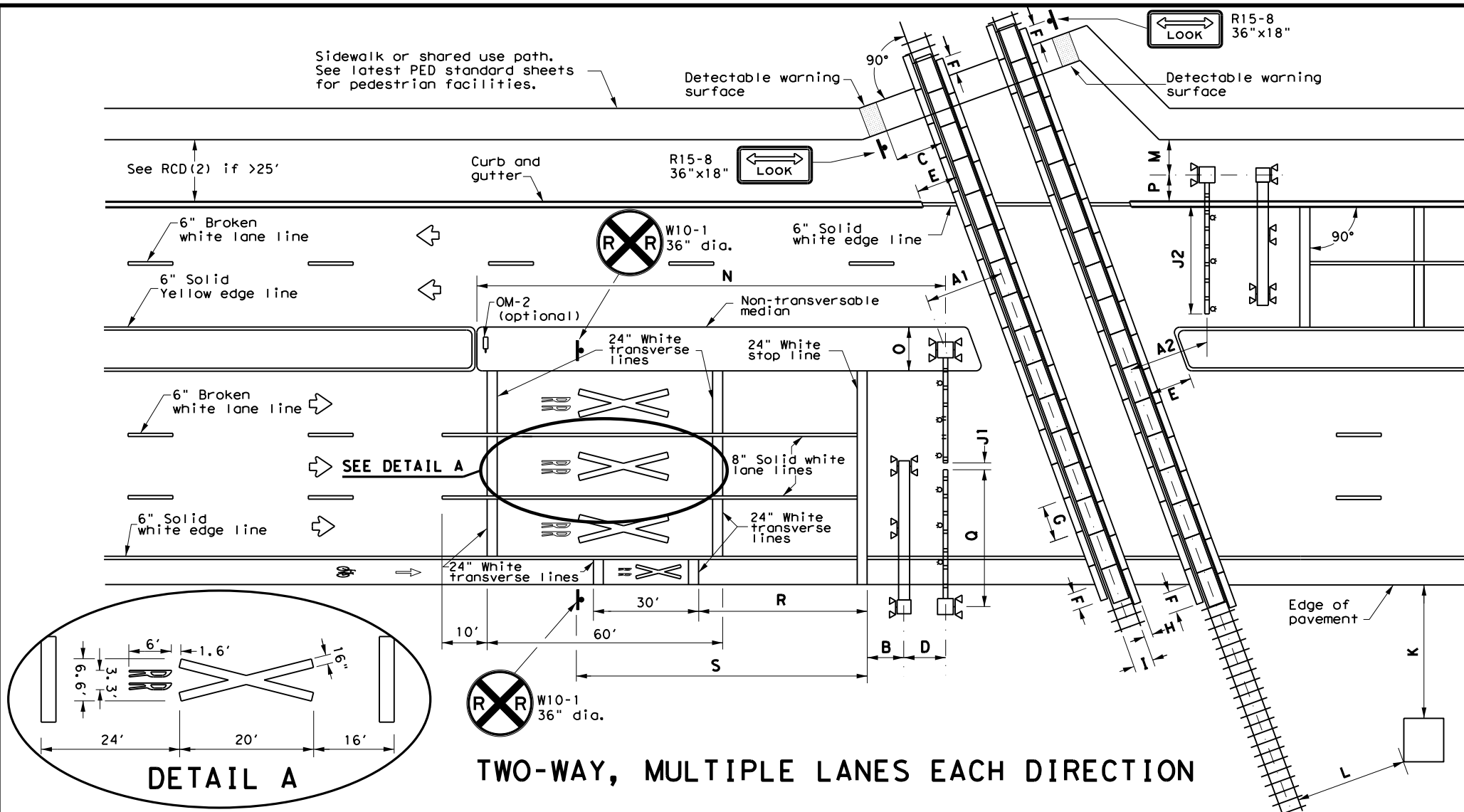


DISCLAIMER: The use of this standard is governed by the "Texas Engineering Practice Act". No warranty of any kind is made by TxDOT for any purpose whatsoever. TxDOT assumes no responsibility for the conversion of this standard to other formats or for incorrect results or damages resulting from its use.

DATE: FILE:



NOTES

T: Tip of gate to edge of curb: 1' maximum for Quiet Zone SSM, 90% of traveled way covered by gates for all other locations.

U: Non-traversable curb length from gate: 100' minimum for a Quiet Zone SSM, 10' minimum for all other locations.

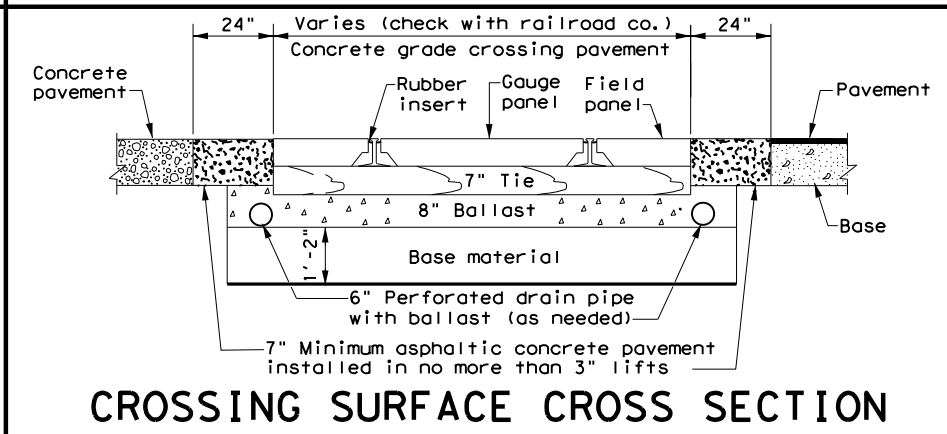
TABLE 1

Approach Speed (mph)	Desirable Placement (feet)
20	100
25	100
30	100
35	100
40	125
45	175
50	250
55	325
60	400
65	475
70	550
75	650

LEGEND

	Sign
	Object Marker
	Traffic Flow
	Cantilever
	Gate Assembly
	Mast Flasher Pair

- GENERAL NOTES**
- Medians and curbs must be non-traversable to qualify as a Quiet Zone Supplementary Safety Measure (SSM). Non-traversable curbs in Quiet Zones are 6" tall minimum and used on roadways where speed does not exceed 40 mph.
 - Raised pavement markers may be used to supplement striping. See PM(2) and PM(3) standard sheets.
 - Medians preferred whenever possible to prevent vehicles from driving around gates.
 - Longitudinal edge striping may be continued thru crossing as needed. Illumination may also be considered for nighttime visibility.
 - See SMD standard sheets for sign mounting details.
 - See the Standard Highway Sign Design for Texas (SHSD) manual for sign and pavement marking details.



Texas Department of Transportation
Traffic Safety Division Standard

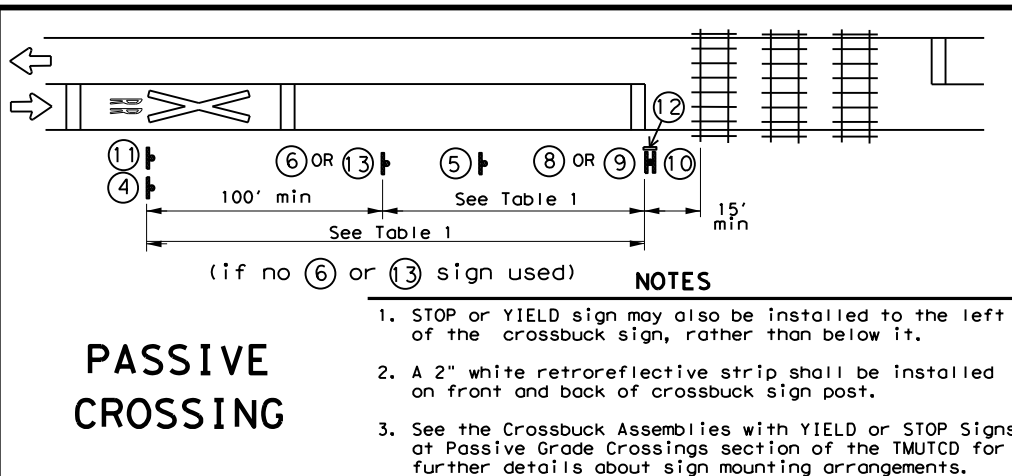
**RAILROAD CROSSING DETAILS
SIGNING, STRIPING, AND
DEVICE PLACEMENT
RCD(1)-22**

FILE: rcd1-22.dgn	DN: TxDOT	CK: TxDOT	DW: TxDOT	CK: TxDOT
© TxDOT November 2022	CONT	SECT	JOB	HIGHWAY
REVISIONS				
2-16				
11-22				
	DIST	COUNTY		SHEET NO.

- NOTES**
- A1: Center of RR mast to center of rail: 12' minimum, 15' typical.
- A2: Tip of gate to center of rail: 12' minimum, 15' typical.
- B: Center of mast (cantilever, gate, or mast flasher) of nearest active traffic control device to stop line: 8' (NOTE: Stop line may be moved as needed, but should be at least 8' back from gates, if present).
- C: Near edge of detectable warning surface to nearest rail: 12' minimum.
- D: Center of gate mast to center of cantilever mast: 6' typical. NOTE: Cantilever may be located in front or behind gates.
- E: Edge of median or curb to nearest rail: 10' typical. NOTE: Design median edge to be parallel with rail.
- F: Edge of planking panel from edge of pavement or sidewalk: 3' minimum. NOTE: Field panels need not be in line with gauge panels.
- G: Length of panels along rail: 8' typical.
- H: Width of field panel: 2' typical (check with railroad company).
- I: Distance between rails: 4'- 8'1/2".
- J1: Tip of gate to tip of gate: 2' maximum.
- J2: 90% of traveled roadway to be covered by gate.
- K: Nearest edge of RR cabinet from edge of pavement: 30' typical. NOTE: Cabinet not required to be parallel to edge of pavement.
- L: Nearest edge of RR cabinet from nearest rail: 25' typical.
- M: Center of RR mast to edge of sidewalk: 6' minimum.
- N: Center of gate mast to leading edge of non-traversable median: 100' minimum to qualify as a Quiet Zone SSM. NOTE: 60' will suffice if there is a street intersection within the 100' and all street intersections within 60' are closed.
- O: Width of median for RR gate assembly: 8'-6" minimum, 10' typical when using median gates. NOTE: Center of gate mast minimum 4'-3" from face of curb.
- P: Center of RR mast to face of curb: 5'-3" minimum. Center of RR mast to edge of pavement (with shoulder): 7' minimum. Center of RR mast to edge of pavement (no shoulder): 9'-3" minimum. NOTE: Final location determined by the railroad company.
- Q: Gate length: 28' or less typical, but railroad company may allow up to 32' under special circumstances.
- R: Stop line to first RR Crossing transverse line (bike lane): 50' typical.
- S: Stop line to GRADE CROSSING ADVANCE WARNING (W10-1) sign and adjacent RR Crossing pavement markings. See Table 1. See RCD(2) for other signs.

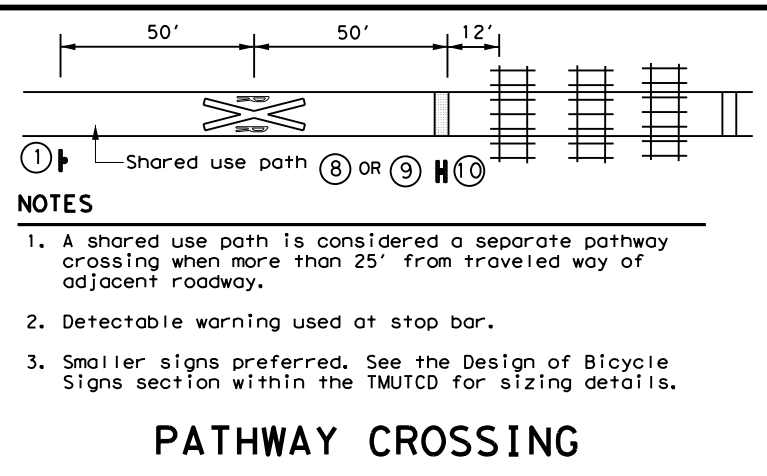
DISCLAIMER: The use of this standard is governed by the "Texas Engineering Practice Act". No warranty of any kind is made by TxDOT for any purpose whatsoever. TxDOT assumes no responsibility for the conversion of this standard to other formats or for incorrect results or damages resulting from its use.

DATE: FILE:



PASSIVE CROSSING

- NOTES**
1. STOP or YIELD sign may also be installed to the left of the crossbuck sign, rather than below it.
 2. A 2" white retroreflective strip shall be installed on front and back of crossbuck sign post.
 3. See the Crossbuck Assemblies with YIELD or STOP Signs at Passive Grade Crossings section of the TMUTCD for further details about sign mounting arrangements.

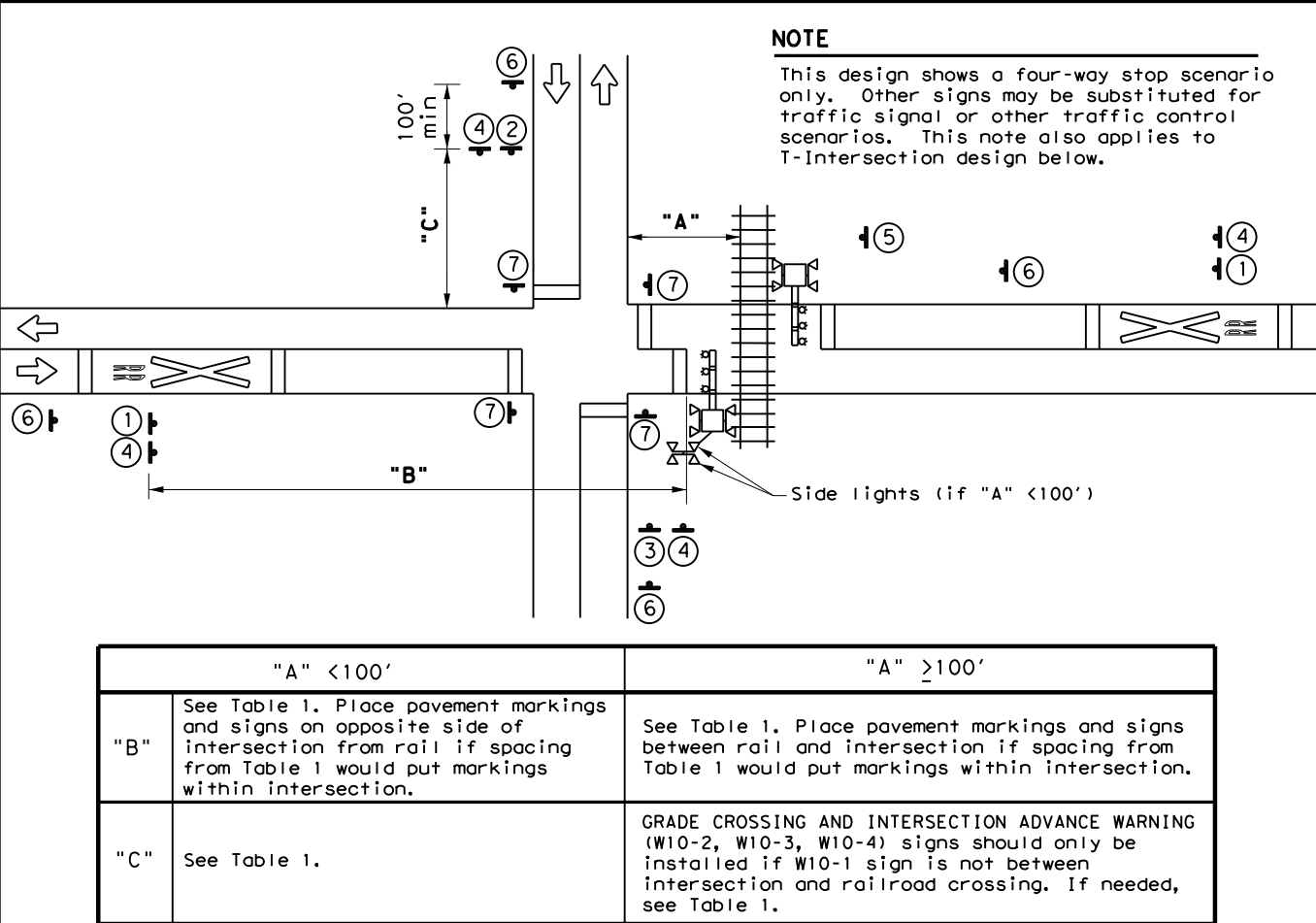


PATHWAY CROSSING

- NOTES**
1. A shared use path is considered a separate pathway crossing when more than 25' from traveled way of adjacent roadway.
 2. Detectable warning used at stop bar.
 3. Smaller signs preferred. See the Design of Bicycle Signs section within the TMUTCD for sizing details.

Approach Speed (mph)	Desirable Placement (feet)
20	100
25	100
30	100
35	100
40	125
45	175
50	250
55	325
60	400
65	475
70	550
75	650

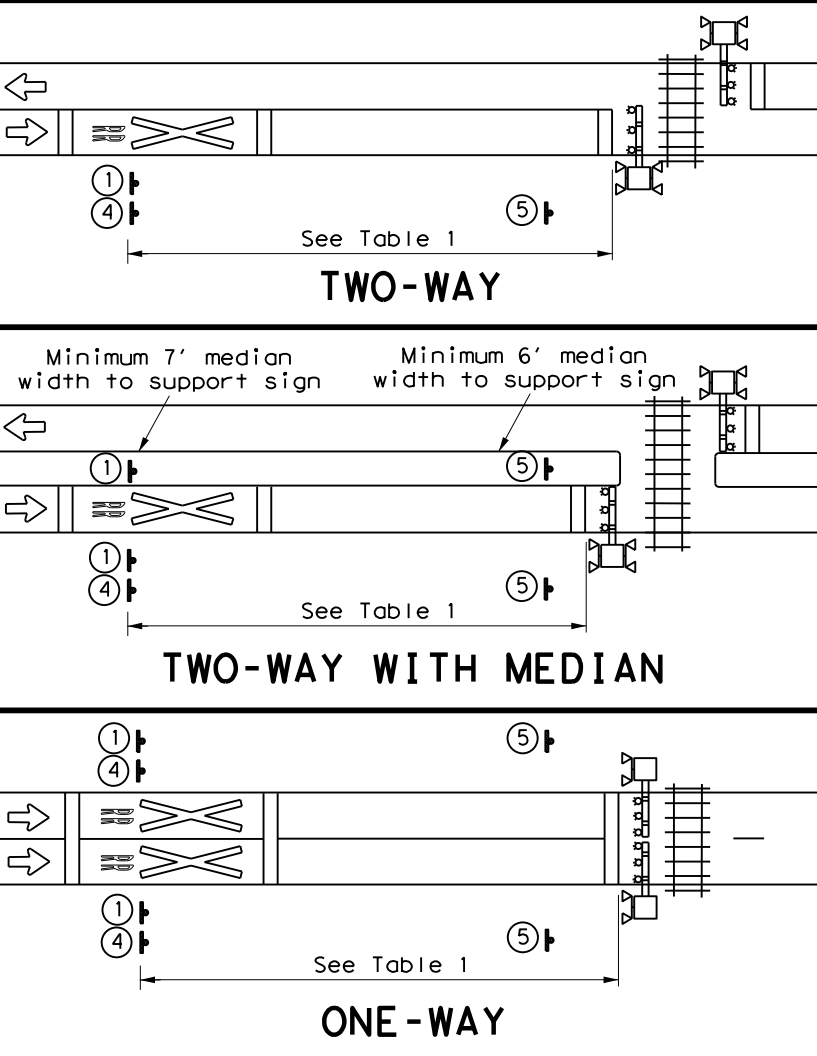
- GENERAL NOTES**
1. Railroad company to provide active traffic control devices, CROSSBUCK (R15-1), NUMBER OF TRACKS (R15-2P) plaque (if more than 1 track), and EMERGENCY NOTIFICATION (I-13) signs.
 2. LOW GROUND CLEARANCE (W10-5) signs may be relocated further upstream of crossing to provide advance warning of alternate route.
 3. GRADE CROSSING AND INTERSECTION ADVANCE WARNING (W10-2) signs may be modified as needed to fit roadway geometry.
 4. Table 1 placement distances may vary per the Placement of Warning Signs section of the TMUTCD.
 5. See Table 1 to determine placement of STOP AHEAD (W3-1) and YIELD AHEAD (W3-2) signs unless shown otherwise.
 6. DO NOT STOP ON TRACKS (R8-8) signs installed when potential for vehicles stopping on tracks is significant as determined by sealing engineer. Install so sign does not block view of RR mast.
 7. See the Standard Highway Sign Design for Texas (SHSD) manual for sign and pavement marking details.



NOTE
 This design shows a four-way stop scenario only. Other signs may be substituted for traffic signal or other traffic control scenarios. This note also applies to T-intersection design below.

	"A" < 100'	"A" ≥ 100'
"B"	See Table 1. Place pavement markings and signs on opposite side of intersection from rail if spacing from Table 1 would put markings within intersection.	See Table 1. Place pavement markings and signs between rail and intersection if spacing from Table 1 would put markings within intersection.
"C"	See Table 1.	GRADE CROSSING AND INTERSECTION ADVANCE WARNING (W10-2, W10-3, W10-4) signs should only be installed if W10-1 sign is not between intersection and railroad crossing. If needed, see Table 1.

GRADE CROSSING NEAR A PARALLEL STREET



ONE-WAY

NOTE
 Separate active traffic control devices, railroad crossing pavement markings, and adjacent signs required when tracks are more than 100' apart.

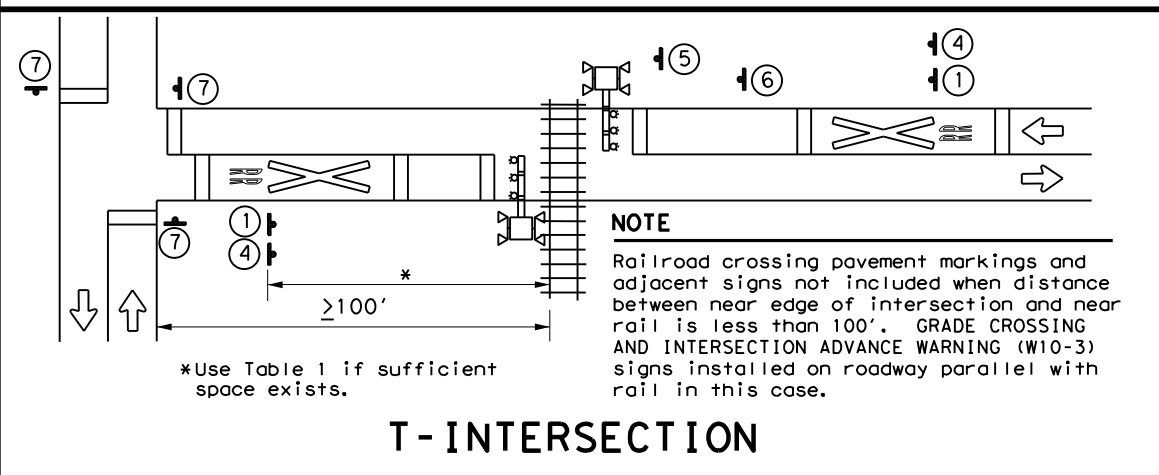
TWO ADJACENT CROSSINGS

SIGNS

 1 W10-1 36" Dia.	 2 W10-2L 36" X 36"	 3 W10-2R 36" X 36"	 IF NEEDED W10-5 36" X 36" W10-5P 30" X 24"
 5 R8-8 24" X 30"	 6 W3-1 30" X 30"	 7 R1-1 36" X 36" R1-3P 18" X 6"	 R15-1 48" X 9" R15-2P 27" X 18" R1-1 36" X 36"
 R15-1 48" X 9" R15-2P 27" X 18" 9 R1-2 48" X 48" X 48"	 R15-1 48" X 9" R15-2P 27" X 18" 10	 W10-1 36" Dia. W10-13P 30" X 24" 11 **	 I-13 15" X 9" 12

** Includes a NO TRAIN HORN (W10-9P) plaque if crossing is in a Quiet Zone. If needed, is mounted below W10-2/W10-3/W10-4 signs.

W10-9P 30" X 24"



NOTE
 Railroad crossing pavement markings and adjacent signs not included when distance between near edge of intersection and near rail is less than 100'. GRADE CROSSING AND INTERSECTION ADVANCE WARNING (W10-3) signs installed on roadway parallel with rail in this case.

T-INTERSECTION

RAILROAD CROSSING DETAILS SIGNING & STRIPING

RCD(2) - 22

FILE: rcd2-22.dgn	DN: TxDOT	CK: TxDOT	DW: TxDOT	CK: TxDOT
© TxDOT November 2022	CONT	SECT	JOB	HIGHWAY
2-16	REVISIONS		DIST	COUNTY
11-22				SHEET NO.