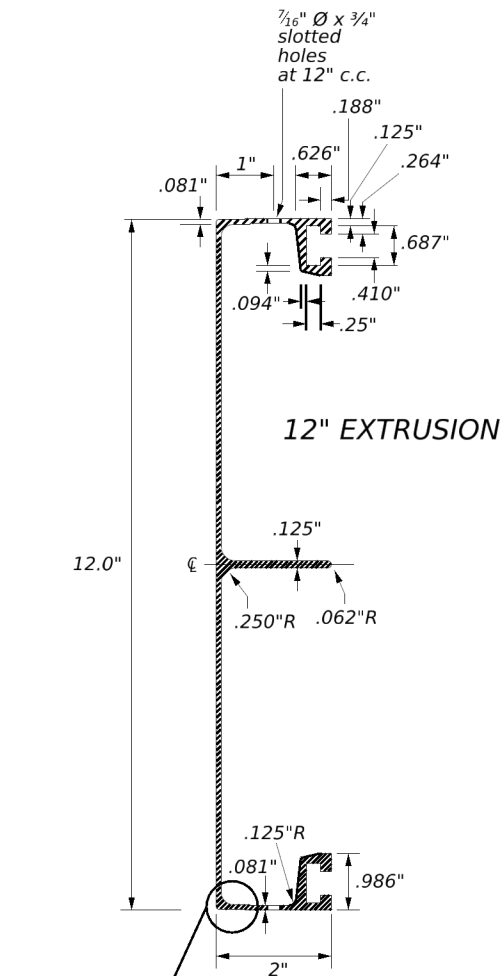
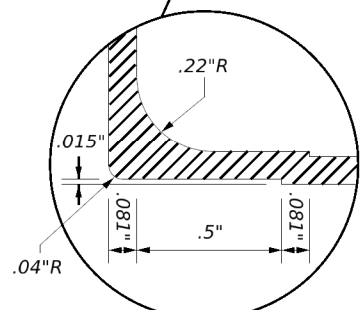


DISCLAIMER: The use of this standard is governed by the "Texas Engineering Practice Act". No warranty of any kind is made by TxDOT for any purpose whatsoever. TxDOT assumes no responsibility for the conversion of this standard to other formats or for incorrect results or damages resulting from its use.

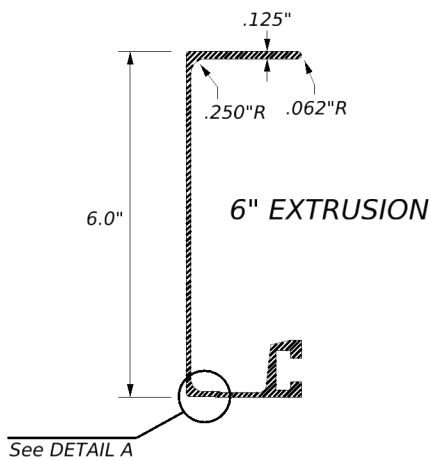
ALUMINUM SIGN PANEL EXTRUSION DETAILS



12" EXTRUSION

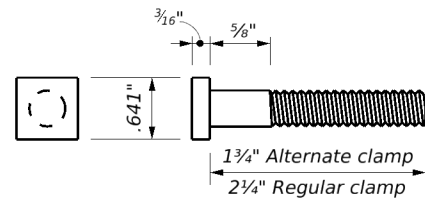


DETAIL A



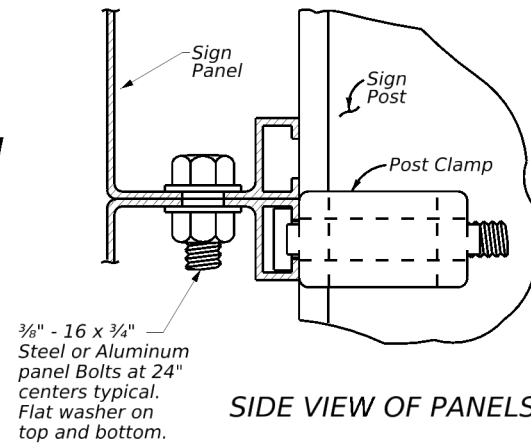
6" EXTRUSION

See DETAIL A



POST CLAMP BOLT DETAIL

PANEL CONNECTION DETAIL



SIDE VIEW OF PANELS

3/8" - 16 x 3/4" Steel or Aluminum panel Bolts at 24" centers typical. Flat washer on top and bottom.

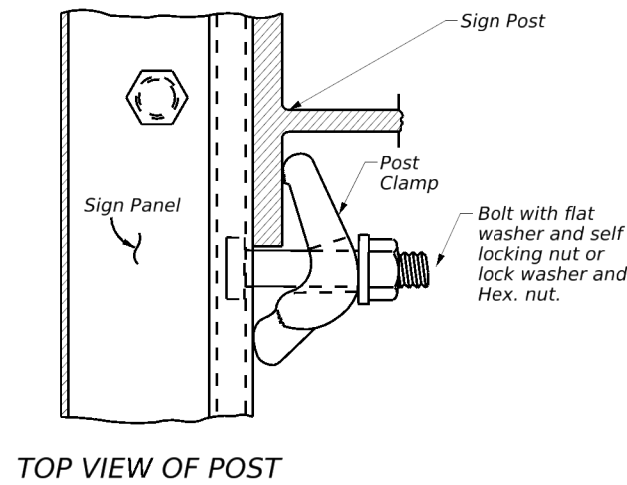
GENERAL NOTES:

1. Design conforms with the 1994 AASHTO Standard Specifications for Structural Supports for Highway Signs, Luminaires, and Traffic Signals (Large Roadside Signs with a 25-year Mean Recurrence Interval, MRI, and Overhead Signs with a 50-year MRI).
2. Materials and fabrication shall conform to the requirements of the Department Material Specifications.
3. Structural steel shall be "low-alloy steel" for non-bridge structures per Item 442, "Metal For Structures."

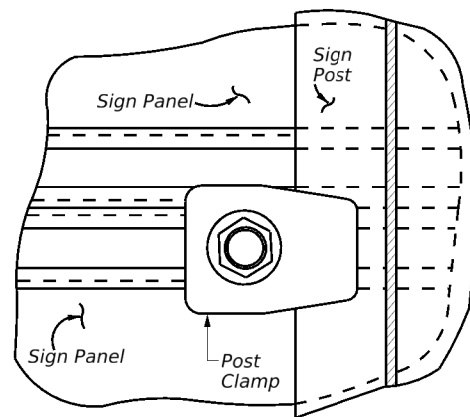
DEPARTMENTAL MATERIAL SPECIFICATIONS

ALUMINUM SIGN BLANKS	DMS-7110
SIGN HARDWARE	DMS-7120

POST CONNECTION DETAIL

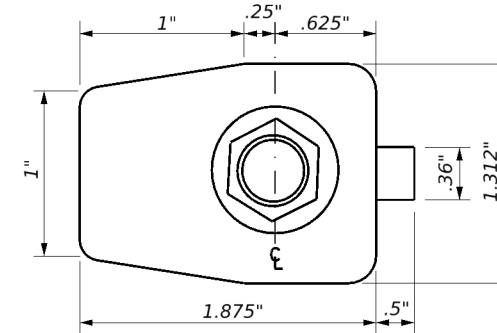


TOP VIEW OF POST

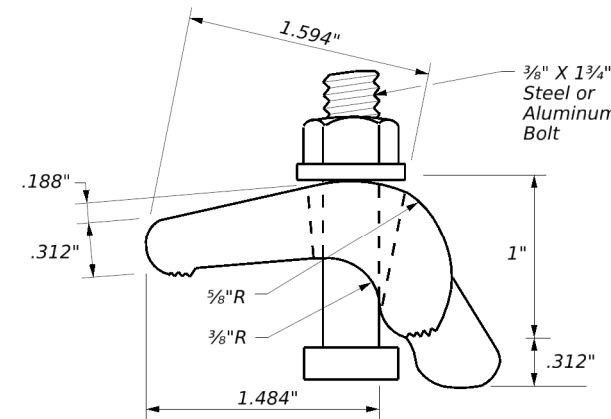


TOP VIEW OF CLAMP

REGULAR POST CLAMP DETAIL



PLAN

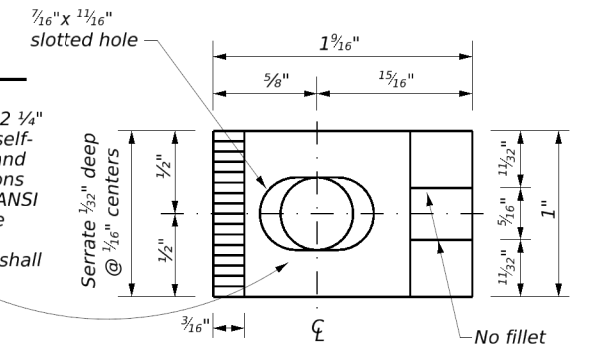


ELEVATION

ALTERNATE POST CLAMP DETAIL

NOTE:

Centerline of hole for 3/8" diameter squarehead bolt x 2 1/4" long with a flat washer and self-locking nut, or lock washer and hex. nut. Bolt head dimensions shall be in accordance with ANSI B 18.2.1 as referred to in the AISC Manual of steel construction. Bolt assembly shall be galvanized.

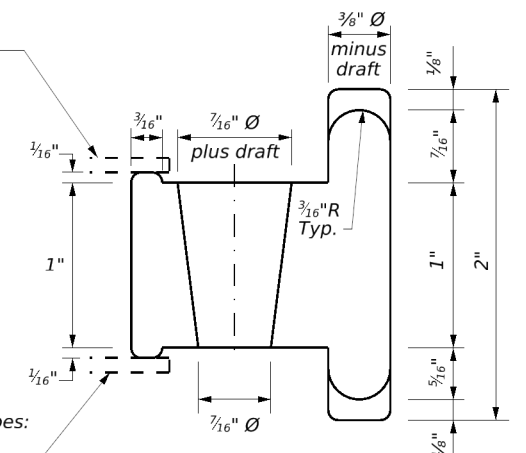


PLAN

Beam flange of W shapes: 1/16" leg of clamp toward W shapes 15 lbs./ft. and greater.

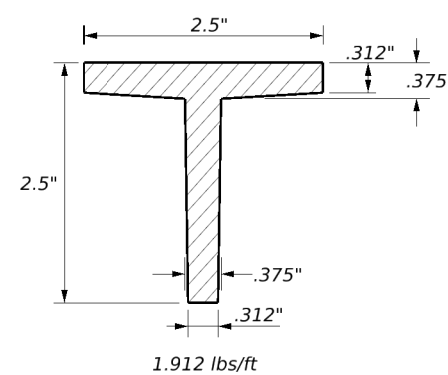
Post Clamp to be ASTM B26 or B108 cast Aluminum alloy 356.0-T6 (.173 lbs. each)

Beam flange of W and S shapes: 3/16" leg of clamp toward W and S shapes 12 lbs./ft. and less.



ELEVATION

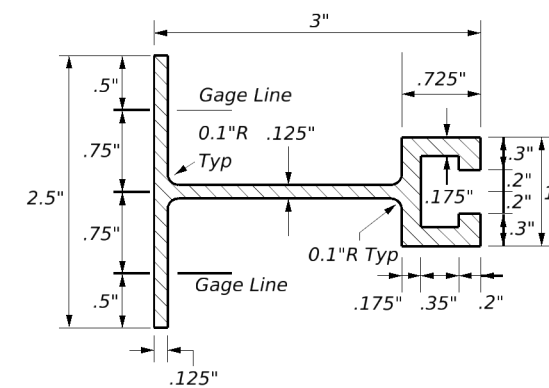
ALUMINUM T SECTION OR APPROVED ALTERNATIVE



1.912 lbs/ft

WINDBEAM CROSS SECTION

Windbeam to be extruded aluminum (1.175 lbs./ft.) or approved alternative



SIGN MOUNTING DETAILS SIGN PANELS & HARDWARE EXTRUDED ALUMINUM

SMD(2-3)-24

FILE: smd(2-3)-24.dgn	DN: TxDOT	CK: TxDOT	DW: TxDOT	CK: TxDOT
© TxDOT May 2024	CONT	SECT	JOB	HIGHWAY
2001 9-08 5-24	DIST	COUNTY	SHEET NO.	