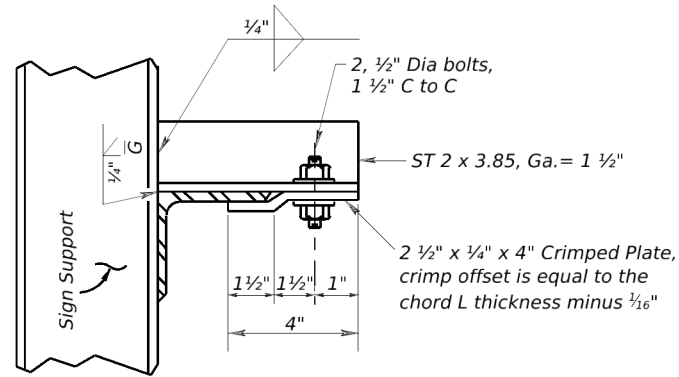
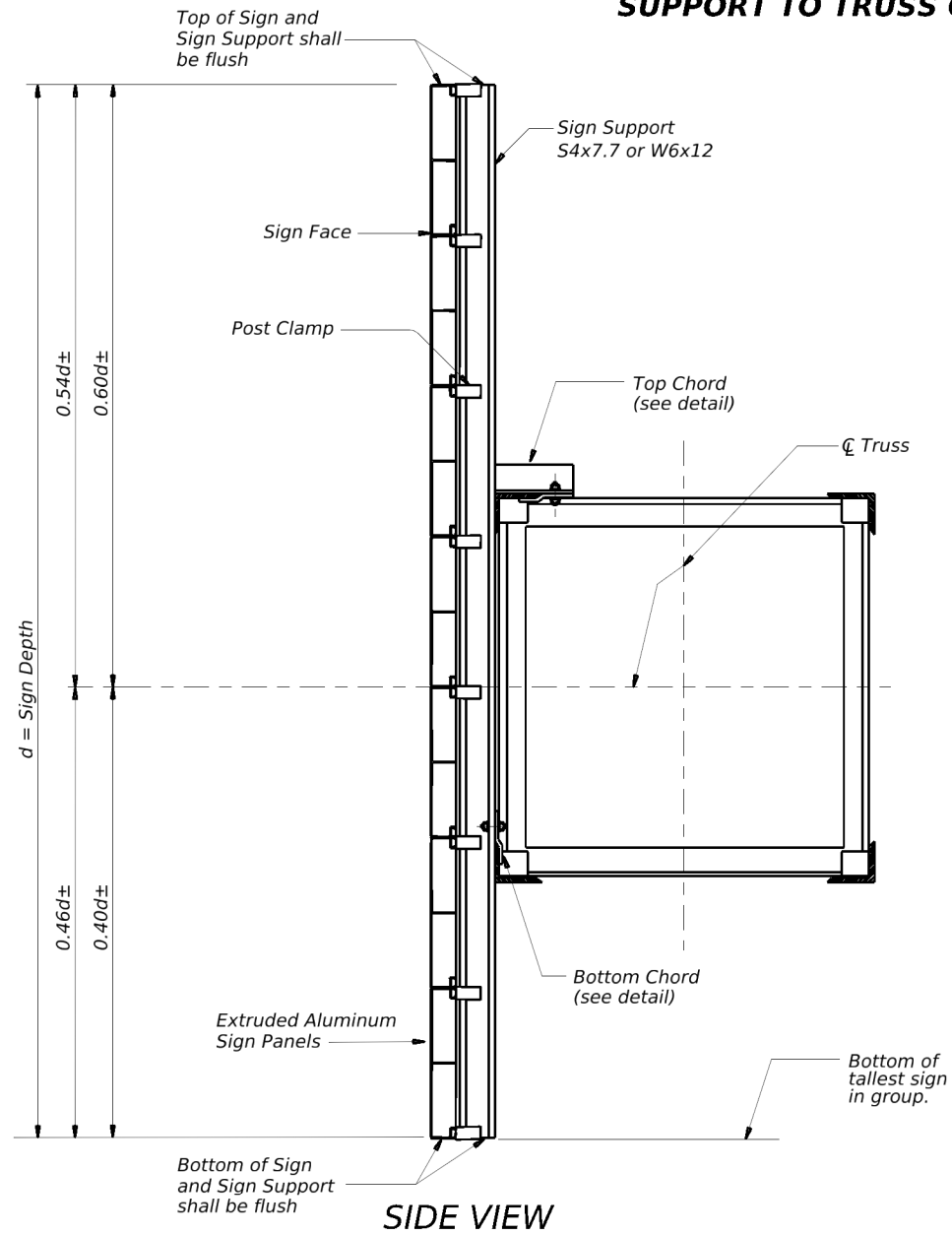
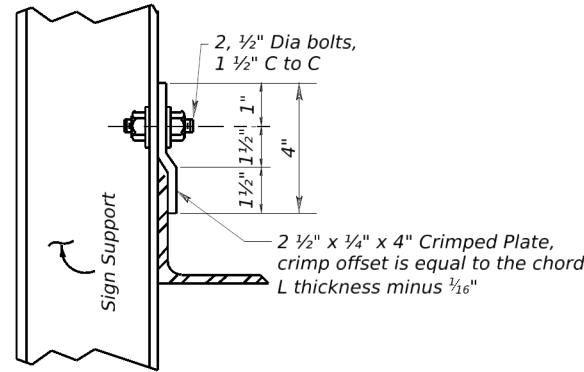


DISCLAIMER: The use of this standard is governed by the "Texas Engineering Practice Act". No warranty of any kind is made by TxDOT for any purpose whatsoever. TxDOT assumes no responsibility for the conversion of this standard to other formats or for incorrect results or damages resulting from its use.

SUPPORT TO TRUSS CONNECTION - COSS AND OSB



TOP CHORD

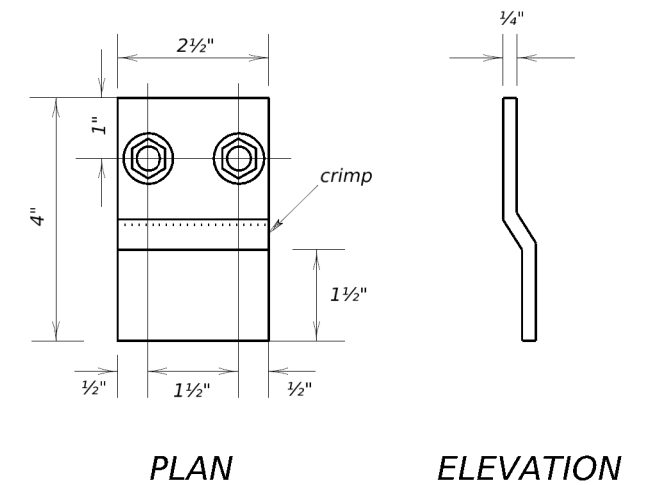


BOTTOM CHORD

GENERAL NOTES:

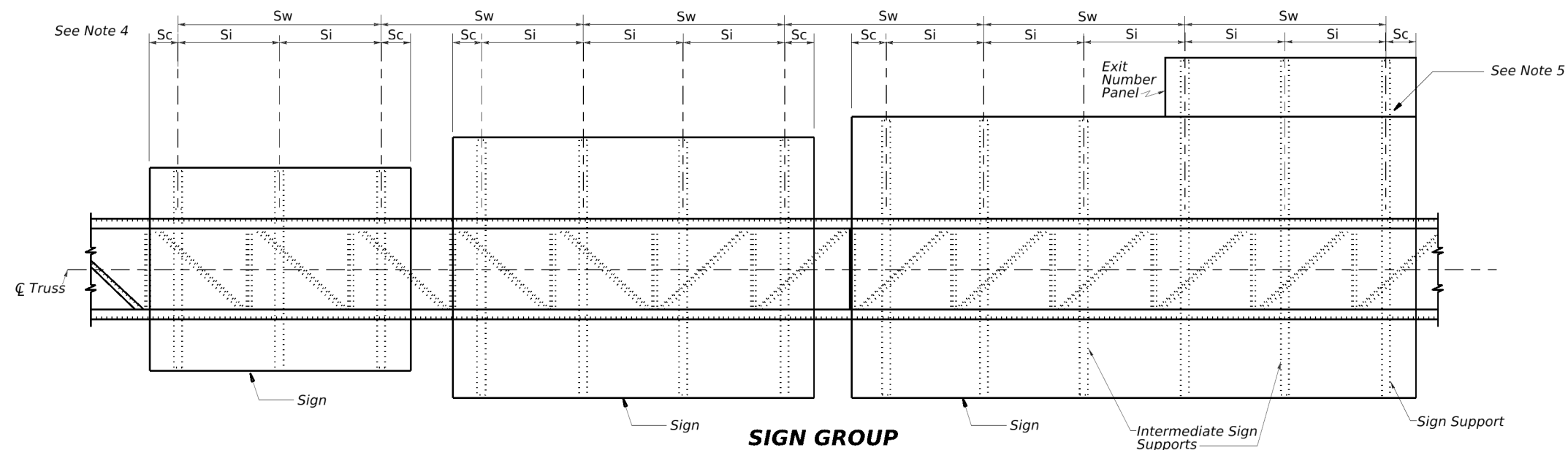
1. Materials, fabrication, construction, and erection shall conform to the requirements of the Departmental Material Specifications and with details, dimensions, and weld procedures shown herein. Structural steel shall conform with ASTM A36 unless noted otherwise.
2. Bolts shall have hexagon heads and nuts and conform with ASTM A307.
3. All parts shall be galvanized after fabrication per Item 445, "Galvanizing".
4. See sheet SMD(2-4) for Extruded Aluminum Sign Details & max. support spacing.
5. An Exit Number Panel may be supported by sign support brackets as shown below, or may be supported as shown on sheet SMD(2-4). Regardless of method used spacing of supports shall not exceed Si.

CRIMPED PLATE DETAIL



PLAN

ELEVATION



SIGN GROUP

		Traffic Safety Division Standard	
SIGN MOUNTING DETAILS OVERHEAD SIGNS SUPPORT TO TRUSS CONNECTION SMD(2-5)-24			
FILE: smd(2-5)-24.dgn	DN: TxDOT	CK: TxDOT	DW: TxDOT
© TxDOT	May 2024	CONT	SECT
REVISIONS		JOB	HIGHWAY
12-95		DIST	COUNTY
9-08			SHEET NO.
5-24			
27E			

DATE:
FILE: