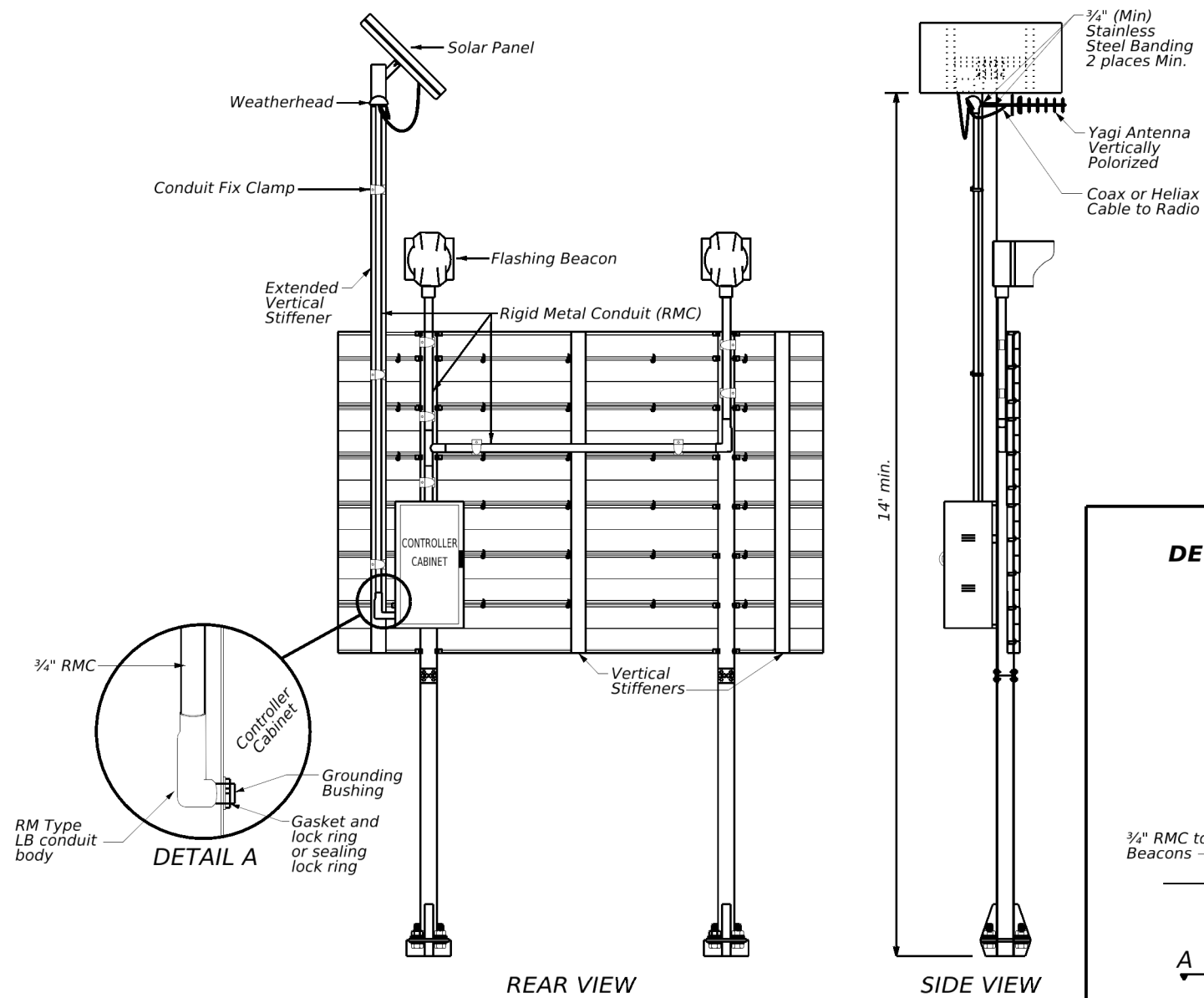


DISCLAIMER: The use of this standard is governed by the "Texas Engineering Practice Act". No warranty of any kind is made by TxDOT for any purpose whatsoever. TxDOT assumes no responsibility for the conversion of this standard to other formats or for incorrect results or damages resulting from its use.

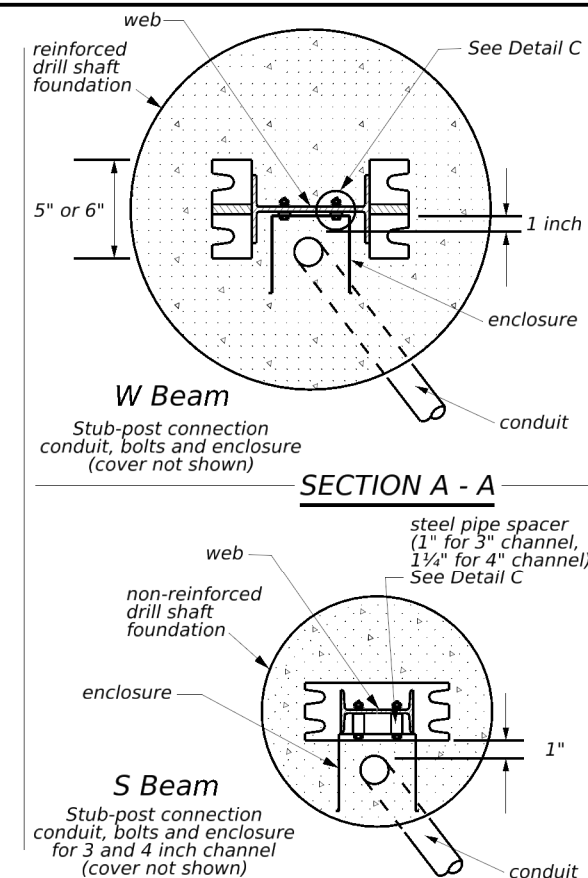
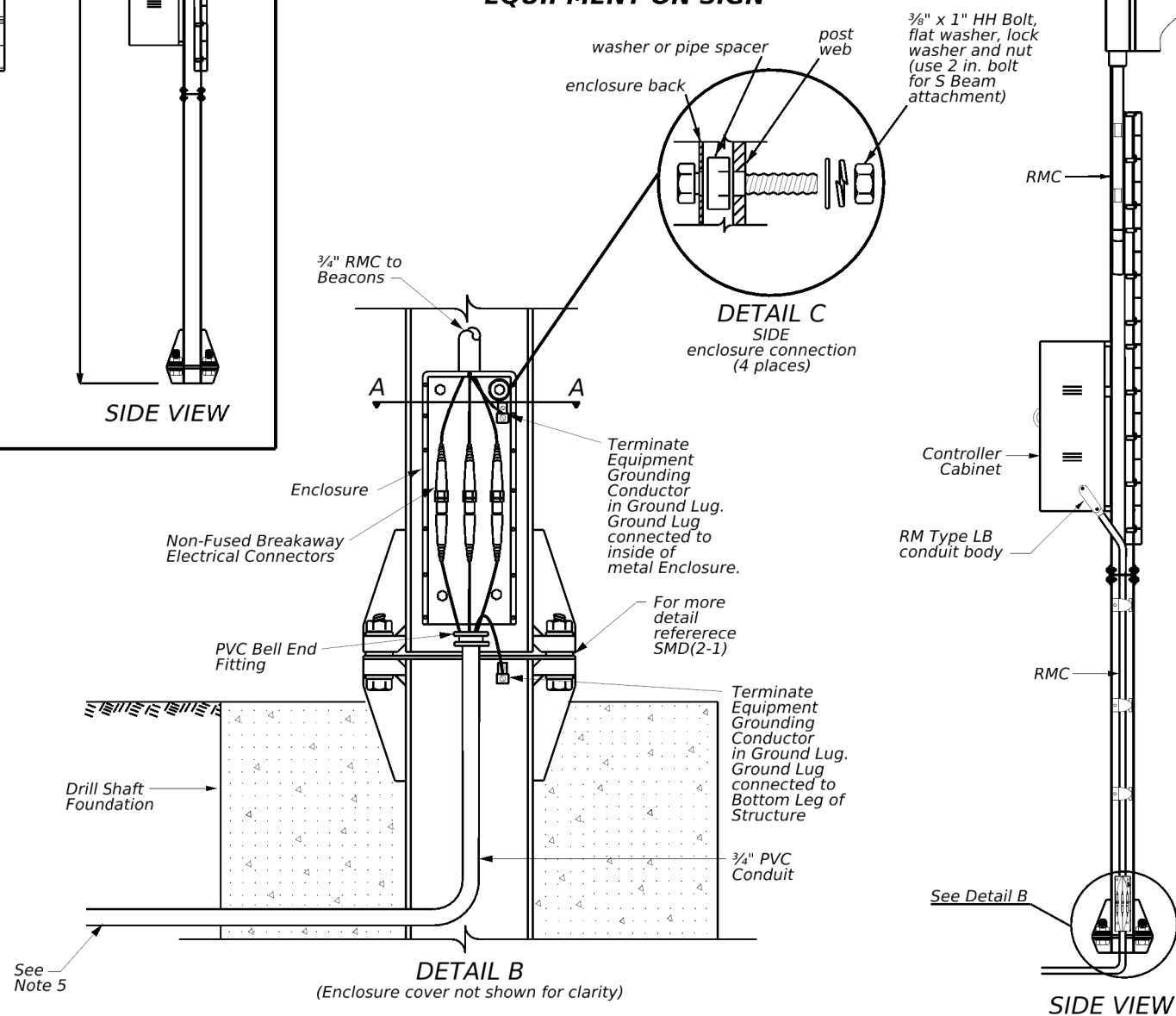
DETAIL FOR SOLAR PANEL POWER TO EQUIPMENT ON SIGN



GENERAL NOTES:

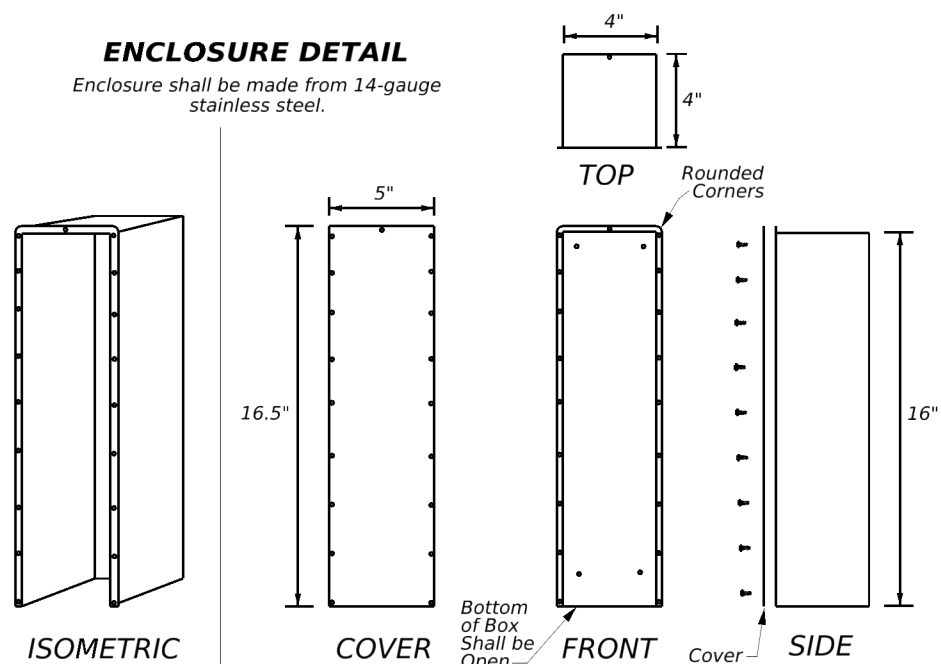
1. Install batteries for solar power system in the controller cabinet. Wire batteries according to manufacturer's recommendations. Provide the number of batteries, as required by the manufacturer.
2. Install LB conduit body and other conduit entries in the bottom third of the cabinet. See Detail A.
3. Use materials specifically designed for attaching cabinets, beacon heads, solar panels, etc., to the structure.
4. For underground power feed, install conduit and enclosure on the inside web of the support farthest from roadway.
5. See Electrical Details (ED) standard for additional requirements regarding the installation of ground boxes/battery boxes, conduit, and cabinets.
6. Orient solar panel for optimum exposure to sunlight (face to the south). Prior to installation, check the location to ensure there is no overhead obstruction that would block the solar panel from receiving full sunlight. Unless specified elsewhere, the solar panel shall be mounted a minimum of 14' above grade.
7. Mount antennas to provide the highest level of reliability between sending and receiving units.
8. Perform a path study, to determine the exact mounting location of antennas by the radio supplier.
9. Install antennas as detailed or as directed by the spread spectrum radio supplier.
10. Furnish mounting brackets for antennas attached to vertical pipe, as recommended by spread spectrum radio supplier.
11. Use 3/4" stainless steel banding material for installing antenna mounts.
12. Grade earthwork such that it is flush with the concrete footing. Slopes shall gradually contour to match plans.

DETAIL FOR UNDERGROUND POWER TO EQUIPMENT ON SIGN



ENCLOSURE DETAIL

Enclosure shall be made from 14-gauge stainless steel.



DATE: FILE:

**SIGN MOUNTING DETAILS
LARGE ROADSIDE SIGN
WITH FLASHING BEACONS
SMD(2-7)-24**

FILE: smd(2-7)-24.dgn	DN: TxDOT	CK: TxDOT	DW: TxDOT	CK: TxDOT
© TxDOT May 2024	CONT	SECT	JOB	HIGHWAY
REVISIONS				
4-98 5-24				
11-98				
11-01				
	DIST	COUNTY	SHEET NO.	