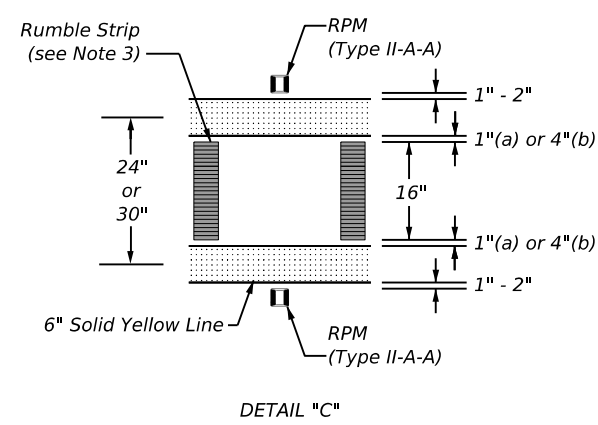
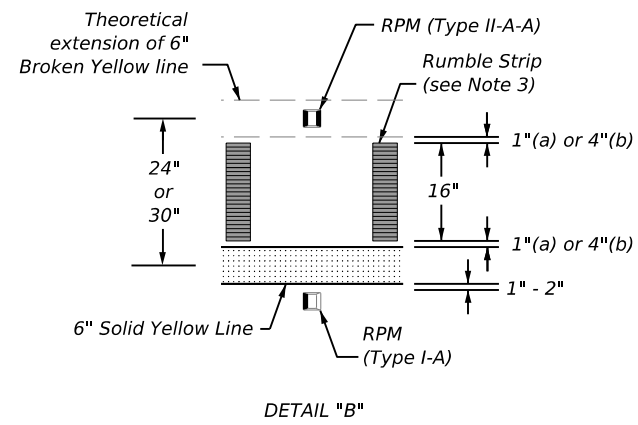
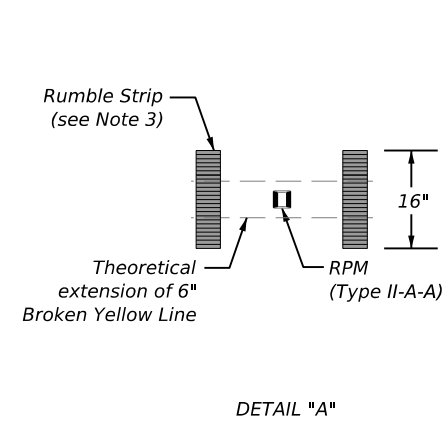


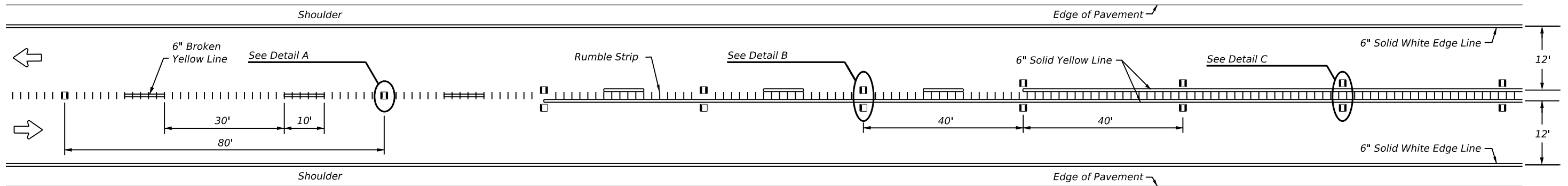
DISCLAIMER: The use of this standard is governed by the "Texas Engineering Practice Act". No warranty of any kind is made by TxDOT for any purpose whatsoever. TxDOT assumes no responsibility for the conversion of this standard to other formats or for incorrect results or damages resulting from its use.

DATE: FILE:



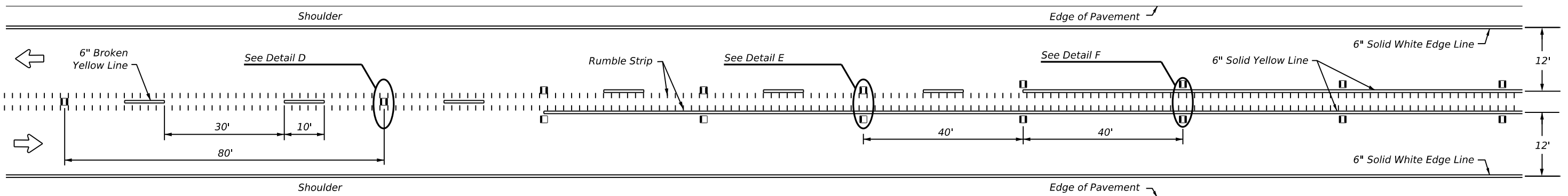
**GENERAL NOTES:**

1. A buffer shall not be implemented if it will require the width of travel lanes to be less than 12 feet.
2. See standard sheet PM(2) for additional details regarding retroreflectorized raised pavement markers (RPMs).
3. This sheet shows the application of milled rumble strips, though other types may be used. See the Rumble Strips (RS) standard for installation details.
4. Dimension notations (a) through (e) correspond to the following buffer widths: a = 24 inches; b = 30 inches; c = 36 inches; d = 42 inches; and e = 48 inches.
5. The Engineer must consider bicycle accommodation during the planning and implementation of all construction and rehabilitation projects. See standard sheet RS(6) and the TxDOT Roadway Design Manual (RDM) Bicycle Facilities section for applicable policies, references and guidance.



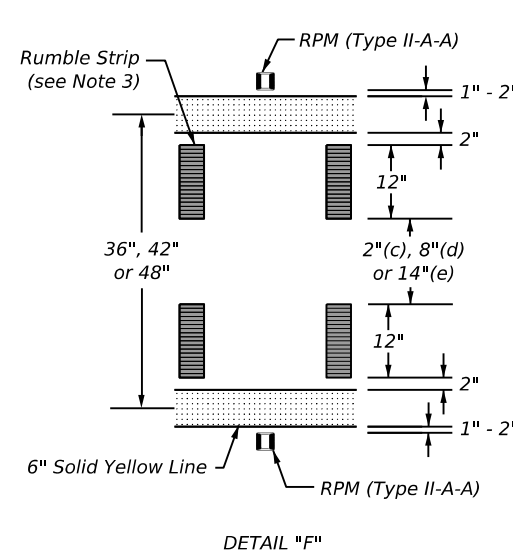
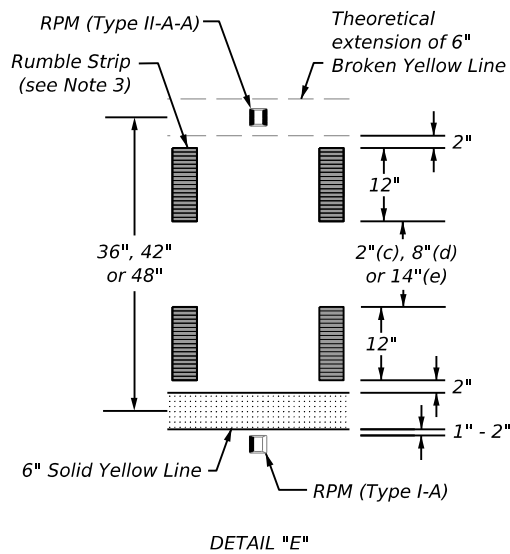
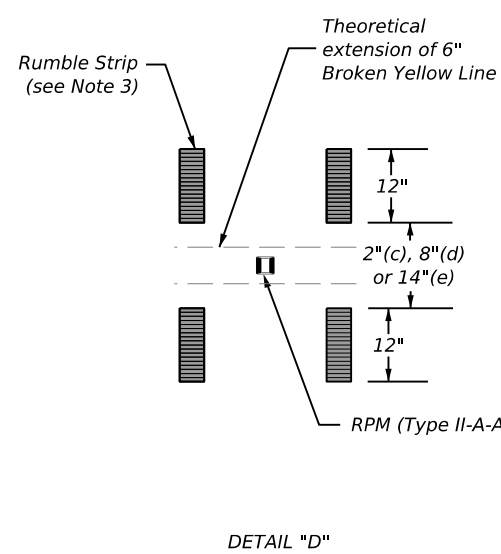
**CENTERLINE BUFFER FOR TWO-LANE UNDIVIDED ROADWAYS**

FOR BUFFER WIDTHS OF 24 INCHES(a) or 30 INCHES(b)



**WIDE CENTERLINE BUFFER FOR TWO-LANE UNDIVIDED ROADWAYS**

FOR BUFFER WIDTHS OF 36 INCHES(c), 42 INCHES(d) OR 48 INCHES(e)



MATERIAL SPECIFICATIONS	
Pavement Markers (ReflectORIZED)	DMS-4200
Epoxies and Adhesives	DMS-6100
Bituminous Adhesive for Pavement Markers	DMS-6130
Traffic Paint	DMS-8200
Hot Applied Thermoplastic	DMS-8220
Permanent Prefabricated Pavement Markings	DMS-8240

All pavement marking materials shall meet the required Departmental Material Specifications.



**CENTERLINE BUFFER  
TWO-LANE ROADWAYS**

**CLB(2)-23**

FILE: clb2-23.dgn	DN:	CK:	DW:	CK:
© TxDOT	September 2023	CONT	SECT	JOB
REVISIONS		DIST		COUNTY
				SHEET NO.