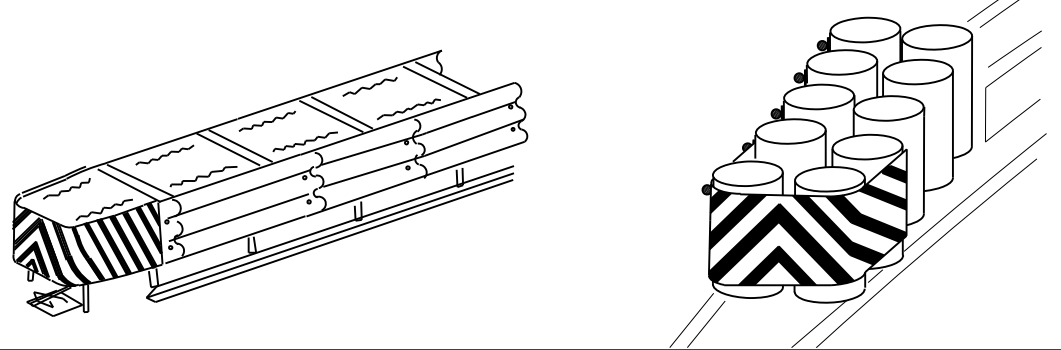
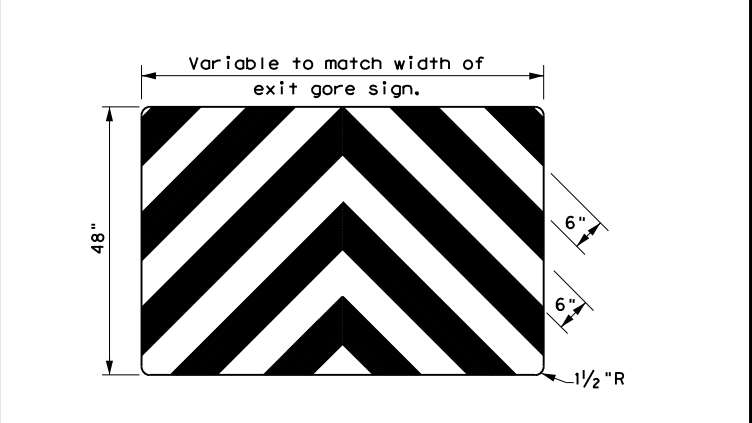
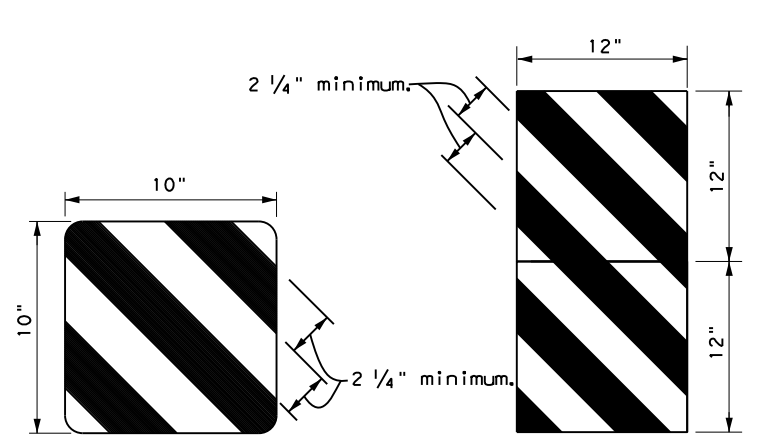
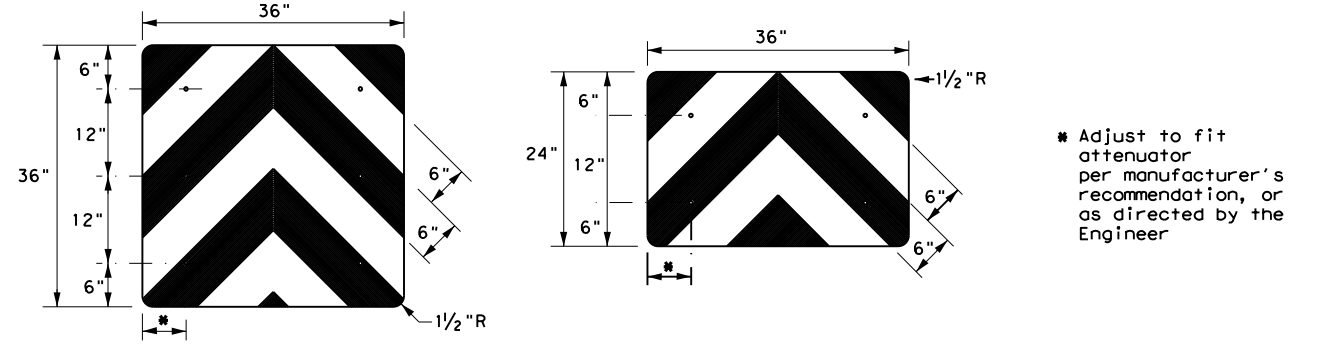
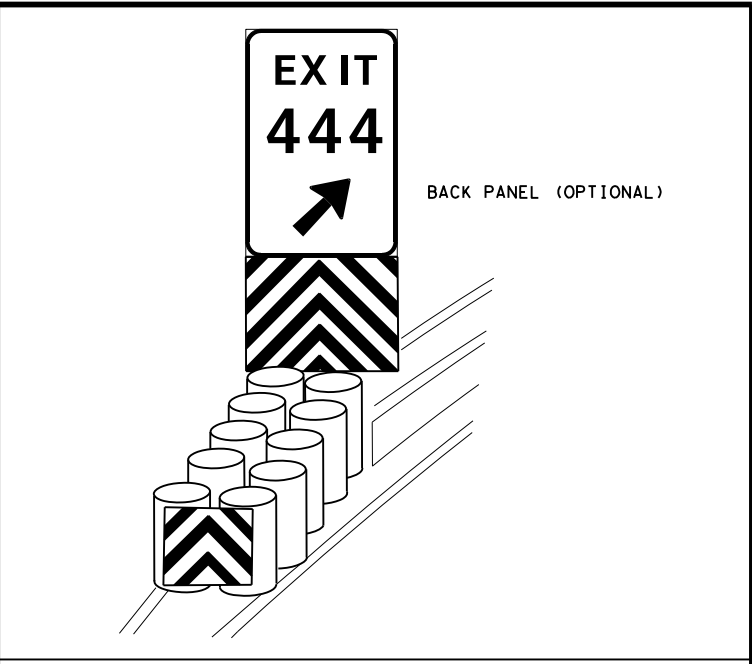
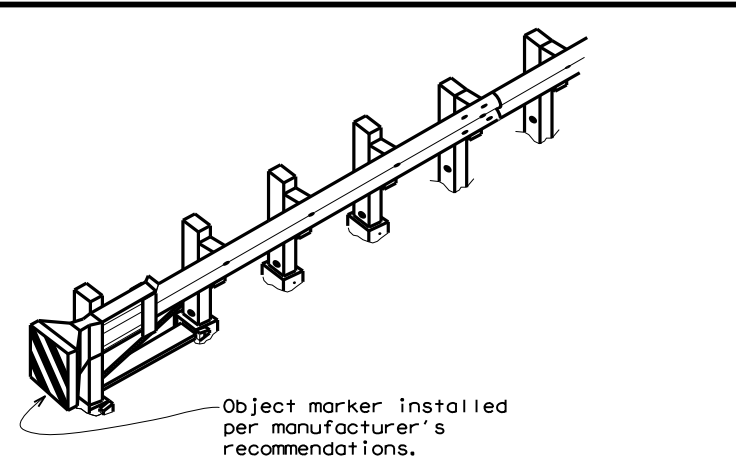
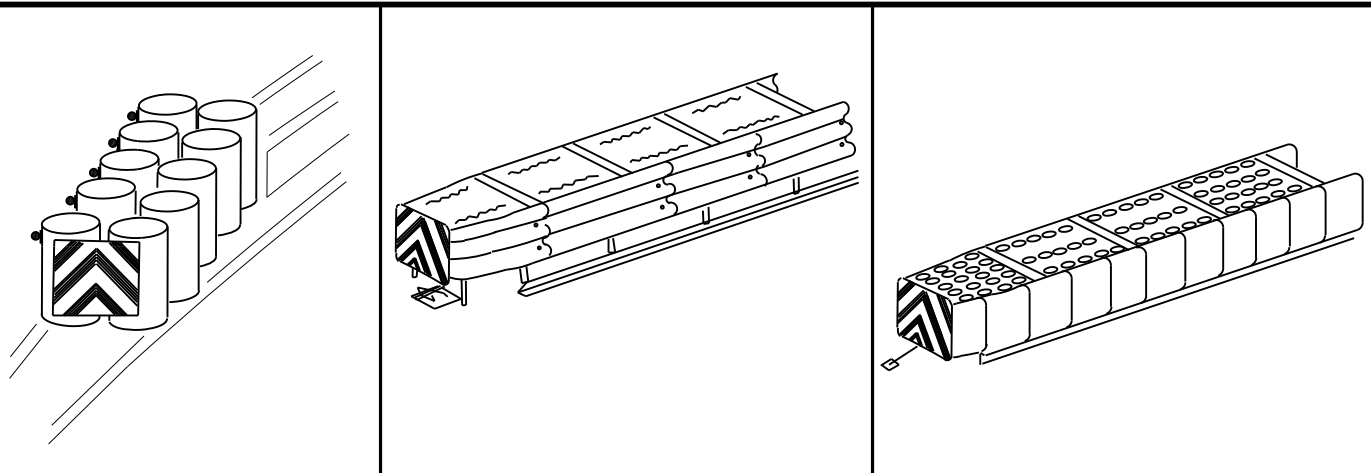
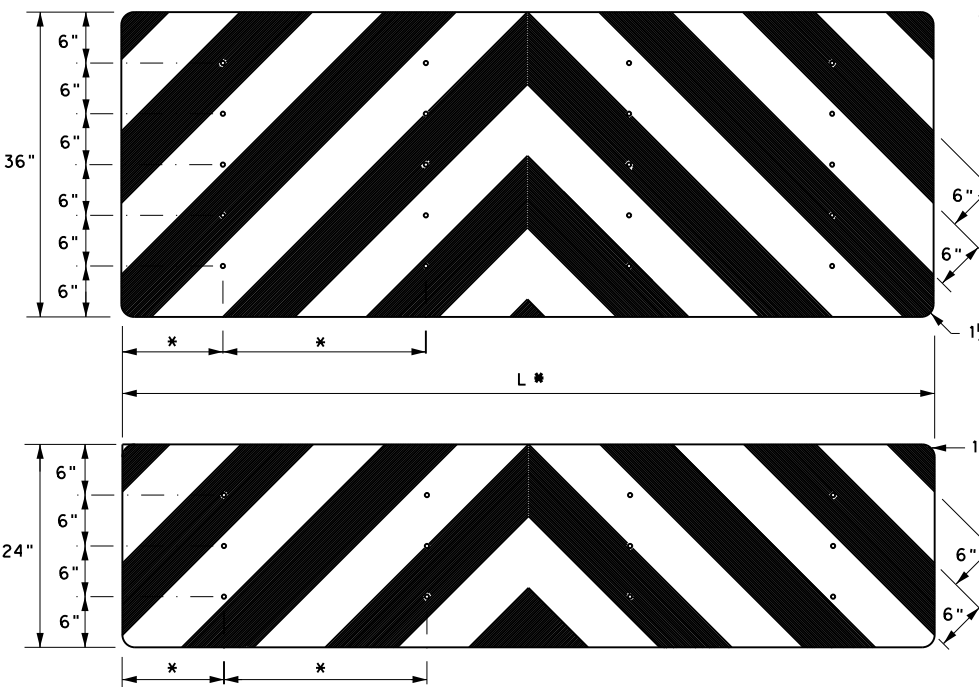


DISCLAIMER: The use of this standard is governed by the "Texas Engineering Practice Act". No warranty of any kind is made by TxDOT for any purpose whatsoever. TxDOT assumes no responsibility for the conversion of this standard to other formats or for incorrect results or damages resulting from its use.



OBJECT MARKERS SMALLER THAN 3 FT²

NOTES



- *1. Spacing should be adjusted to attach through centerline of drum, per attenuator manufacturers recommendation, or as directed by the Engineer.
- 2. Mounting should be flush with top of attenuator. Minimum size 96" x 24".

NOTES

1. Object Markers shall conform to the Texas MUTCD and meet the color and reflectivity requirement of Department Material Specification DMS 8300. Background shall be yellow reflective sheeting (Type B or C) and Chevron shall be black.
2. Object Markers may be fabricated from adhesive backed reflective sheeting applied directly to guardrail end treatment, or applied directly to an "end cap" as per the manufacturer's recommendation. Direct applied sheeting shall provide a smooth surface and have no wrinkles, air bubbles, cuts or tears. A radius at the corners is not required for direct applied sheeting.
3. Object Marker size may be reduced to fit smaller devices. Width of alternating black and yellow stripes are typically 6". Object Markers smaller than 3ft may have reduced width stripes of a minimum of 2 1/4".
4. Pop rivets, screws, or nuts and bolts may be used to attach object markers and reflectors. Holes, slots or other openings may be cut or drilled through object markers to allow cable or other attachments.
5. Object Marker at nose of attenuator is subsidiary to the attenuator.
6. See D & OM (1-4) for required barrier reflectors.

<p>DELINEATOR & OBJECT MARKER FOR VEHICLE IMPACT ATTENUATORS</p> <p>D & OM(VIA) -20</p>			
FILE: domvia20.dgn	DN: TXDOT	CK: TXDOT	DW: TXDOT
© TXDOT December 1989	CONT	SECT	JOB
REVISIONS			
4-92 8-04			
8-95 3-15			
4-98 7-20			
DIST	COUNTY	SHEET NO.	
20G			

DATE:
FILE: