

DISCLAIMER: The use of this standard is governed by the "Texas Engineering Practice Act". No warranty of any kind is made by TxDOT for any purpose whatsoever. TxDOT assumes no responsibility for the conversion of this standard to other formats or for incorrect results or damages resulting from its use.

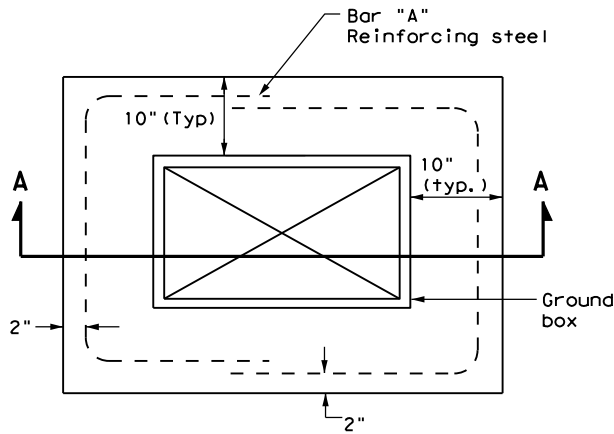
BATTERY BOX GROUND BOXES NOTES

A. MATERIALS

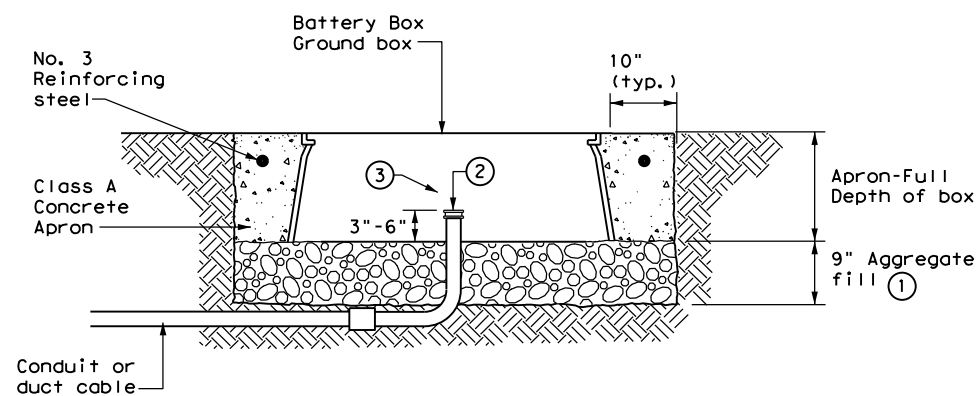
1. Provide polymer concrete or fiberglass reinforced plastic (FRP) battery box ground box and cover in accordance with Departmental Material Specification (DMS) 11071 "Battery Box Ground Boxes." Battery box will accommodate up to 4 batteries, each measuring 8 in. x 13.5 in. x 10 in. (W x L x D). Label battery box ground box cover in accordance with DMS 11071.
2. Supply a marine grade batteries with covers. Secure the marine grade batteries with covers to the stainless steel rack in the bottom of the ground box with tie down straps.

B. CONSTRUCTION METHODS

1. Ensure conduit entry will not interfere with placement of the batteries in the battery box ground box.
2. Remove all gravel and dirt from conduit. Cap all conduits prior to placing aggregate and setting battery box ground box. Provide Grade 3 or 4 coarse aggregate as shown on Table 2 of Item 302 "Aggregates for Surface Treatments." Ensure the aggregate bed is in place and is a minimum of 9 in. deep prior to setting the box. Install battery box ground box on top of aggregate.
3. Cast battery box aprons in place. Reinforcing steel may be field bent. Ensure the depth of concrete for the apron extends from finished grade to the top of the aggregate bed under the box. Battery box ground box aprons, including concrete and reinforcing steel, are subsidiary to battery box ground boxes when called for by descriptive code.
4. Bolt covers down when not working in battery box ground boxes. Keep bolt holes in the box clear of dirt.



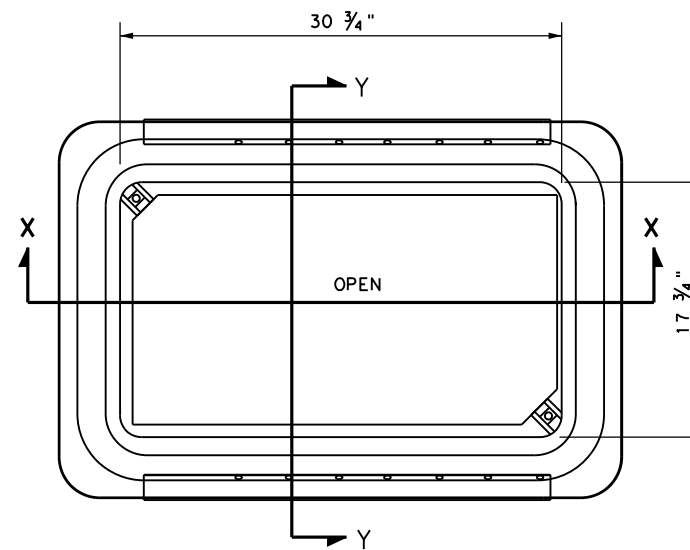
PLAN VIEW



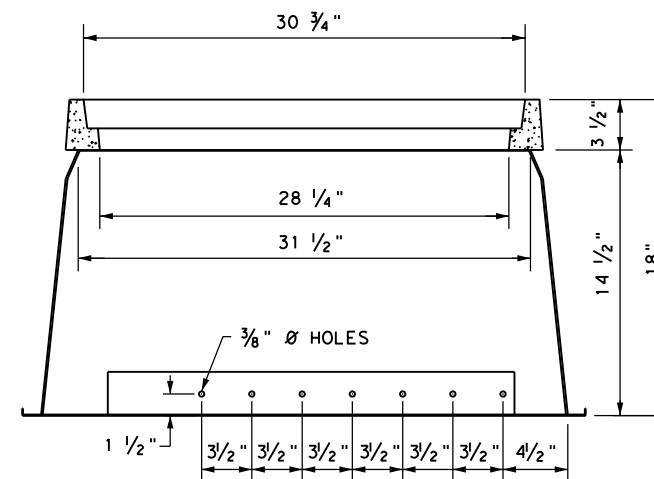
SECTION A - A

APRON FOR BATTERY BOX GROUND BOXES

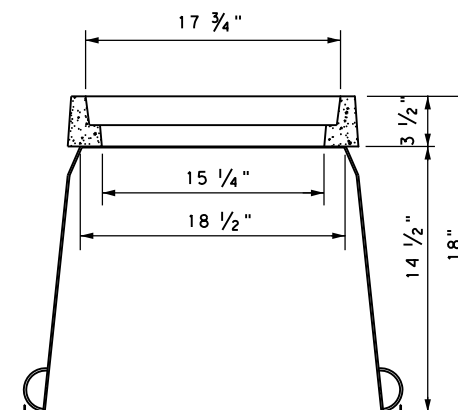
- ① Place aggregate under the box and not in the box. Aggregate should not encroach on the interior volume of the box.
- ② Install bushing or bell end fitting on the upper end of all ells.
- ③ Install all conduits in a neat and workmanlike manner.



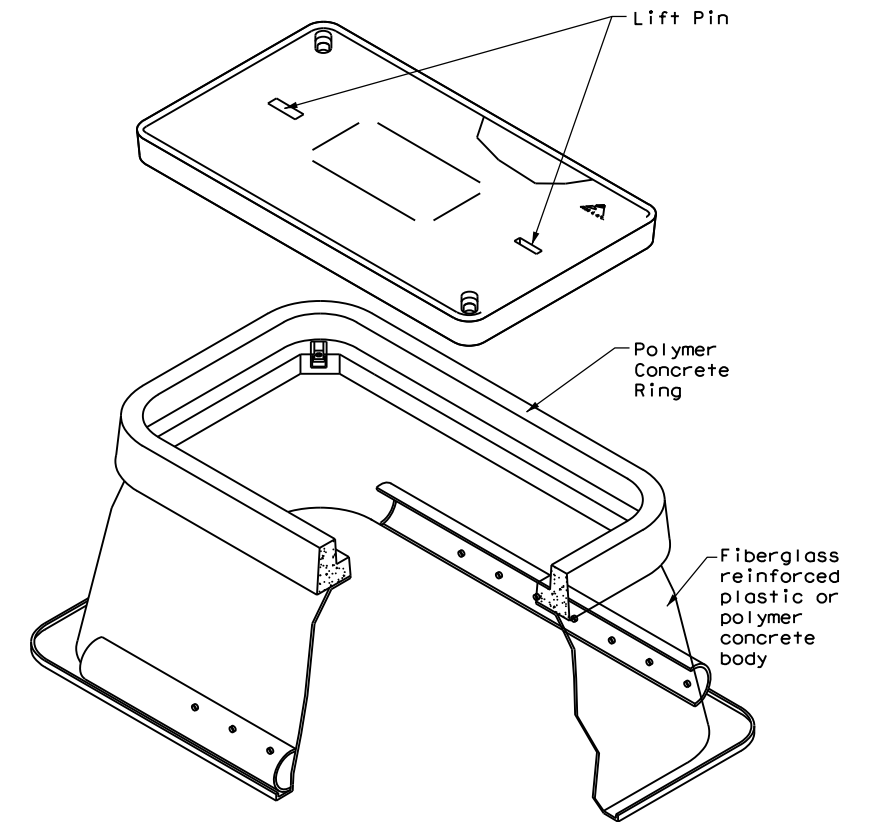
BATTERY BOX TOP VIEW



SECTION X-X



SECTION Y-Y



		Traffic Operations Division Standard	
<h2>ELECTRICAL DETAILS BATTERY BOX GROUND BOXES</h2>			
<h3>ED(12)-14</h3>			
FILE: ed12-14.dgn	DN: TxDOT	CK: TxDOT	DW: TxDOT
© TxDOT October 2014	CONT	SECT	JOB
REVISIONS		DIST	COUNTY
		SHEET NO.	

DATE: FILE: