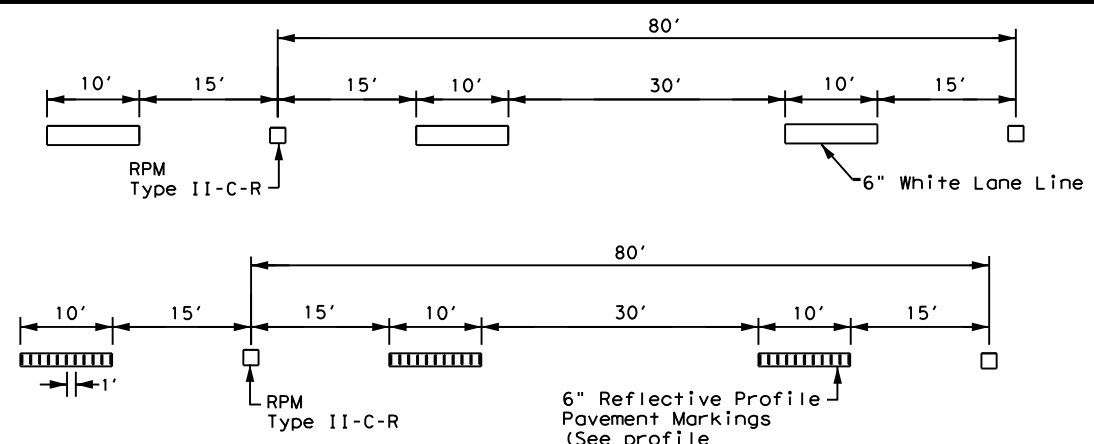
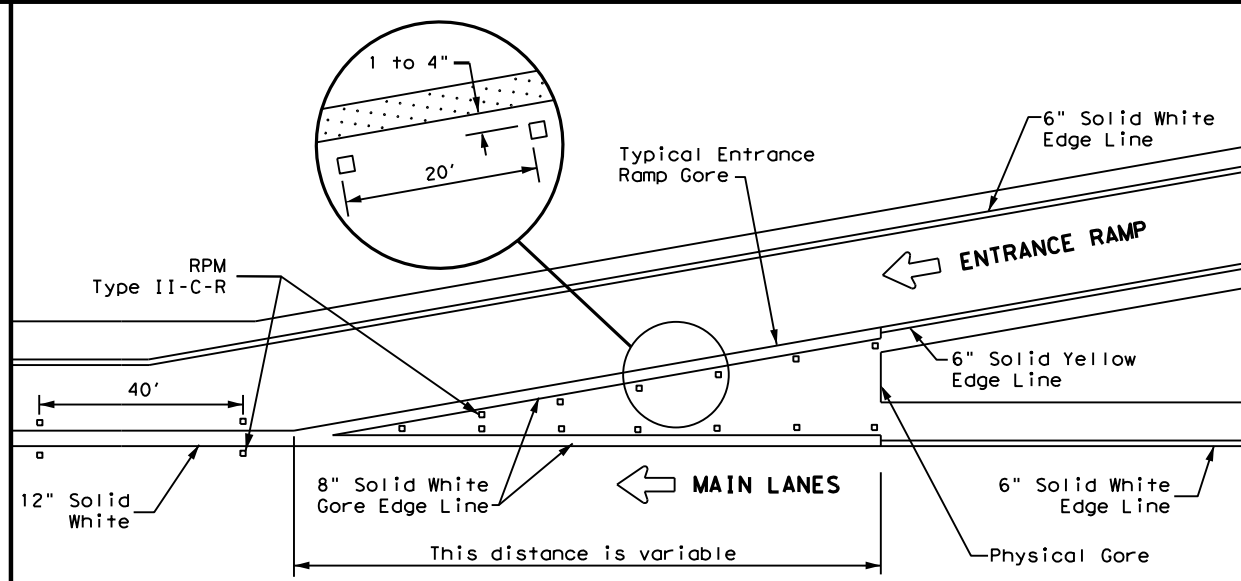


DISCLAIMER: The use of this standard is governed by the "Texas Engineering Practice Act". No warranty of any kind is made by TxDOT for any purpose whatsoever. TxDOT assumes no responsibility for the conversion of this standard to other formats or for incorrect results or damages resulting from its use.



NOTE
 ReflectORIZED raised pavement markers Type II-C-R shall be spaced on 80' centers with the clear face toward normal traffic and the red face toward wrong way traffic. All raised pavement markers placed along broken lines shall be placed in line with and midway between the stripes.

TRAFFIC LANE LINES PAVEMENT MARKING



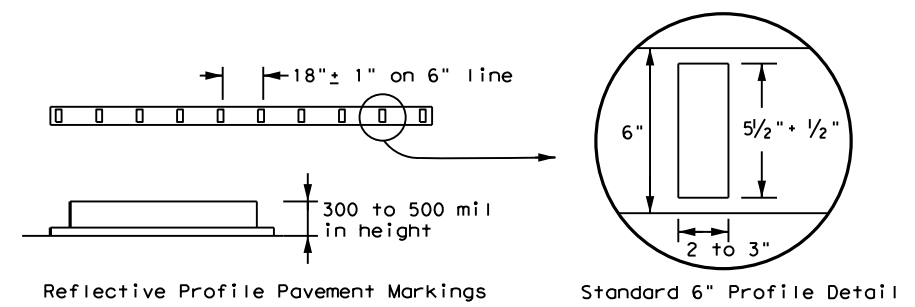
TYPICAL ENTRANCE RAMP GORE MARKING

MATERIAL SPECIFICATIONS	
PAVEMENT MARKERS (REFLECTORIZED)	DMS-4200
EPOXY AND ADHESIVES	DMS-6100
BITUMINOUS ADHESIVE FOR PAVEMENT MARKERS	DMS-6130
TRAFFIC PAINT	DMS-8200
HOT APPLIED THERMOPLASTIC	DMS-8220
PERMANENT PREFABRICATED PAVEMENT MARKINGS	DMS-8240

All pavement marking materials shall meet the required Departmental Material Specifications as specified by the plans.

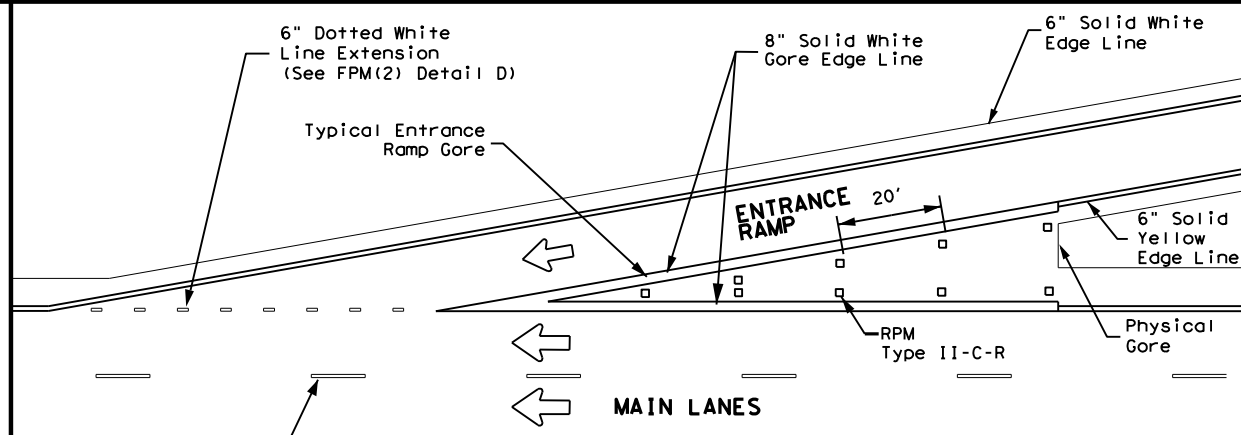
LEGEND	
	Traffic flow
	Pavement marking arrows (white)
	ReflectORIZED Raised Markers (RPM) Type II-C-R

GENERAL NOTE
 On concrete pavements the raised pavement markers shall be placed to one side of the longitudinal joints.



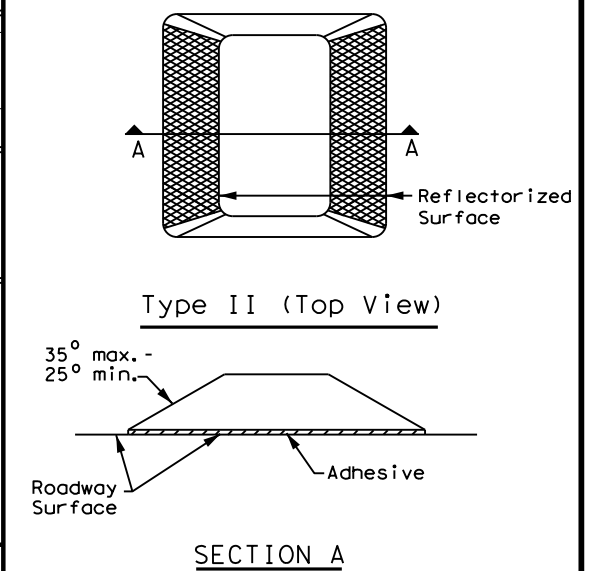
NOTE
 Edge lines should typically be 6" wide and the materials shall be as specified in the plans. See details above if reflective profile pavement markings are to be used.

EDGE LINE PAVEMENT MARKINGS

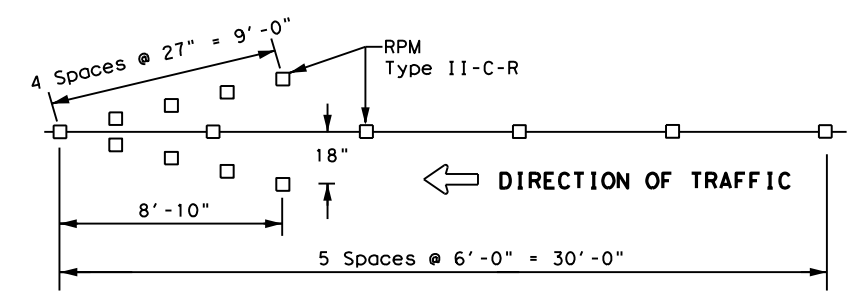


NOTE
 See the Roadway Design Manual Chapter 3 to determine if a tapered acceleration lane may be used.

TAPERED ACCELERATION LANE



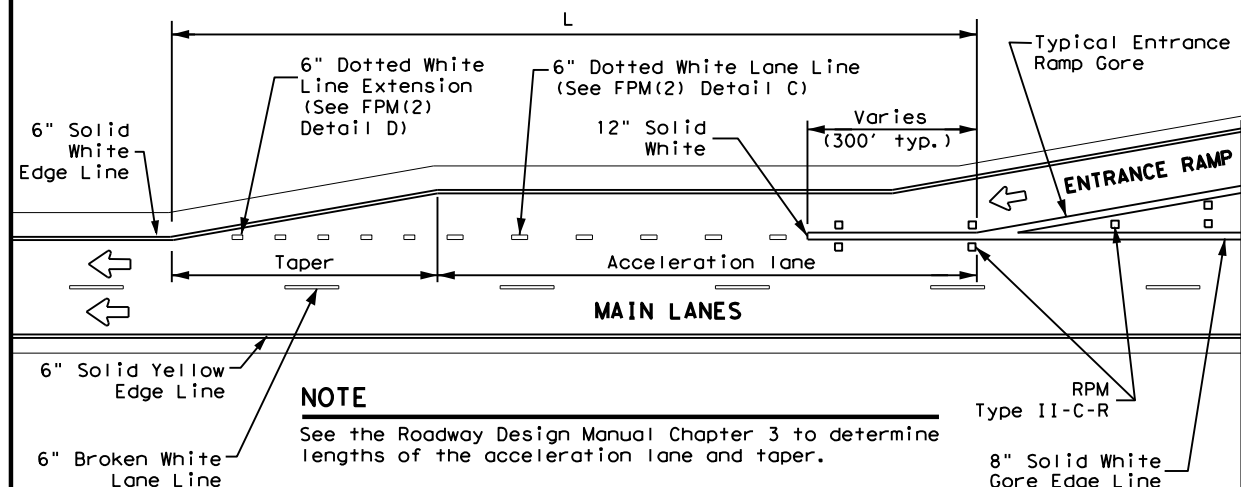
**SECTION A
 REFLECTORIZED RAISED PAVEMENT MARKER (RPM)**



NOTES

1. ReflectORIZED raised pavement markers Type-II-C-R in the wrong way arrow shall have the clear face toward normal traffic and the red face toward the wrong way traffic.
2. Red reflectORIZED wrong way arrows, not to exceed two, may be placed on exit ramps. Locations of the arrows shall be as shown in the plans or as directed by the engineer.

WRONG WAY ARROW



NOTE
 See the Roadway Design Manual Chapter 3 to determine lengths of the acceleration lane and taper.

PARALLEL ACCELERATION LANE

Texas Department of Transportation
 Traffic Safety Division Standard

TYPICAL STANDARD FREEWAY PAVEMENT MARKINGS WITH RAISED PAVEMENT MARKERS FPM(1)-22

FILE: fpm(1)-22.dgn	DN:	CK:	DW:	CK:
© TxDOT October 2022	CONT	SECT	JOB	HIGHWAY
REVISIONS				
5-74 8-00 2-12				
4-92 2-08 10-22				
5-00 2-10				
	DIST	COUNTY	SHEET NO.	

DATE:
 FILE: