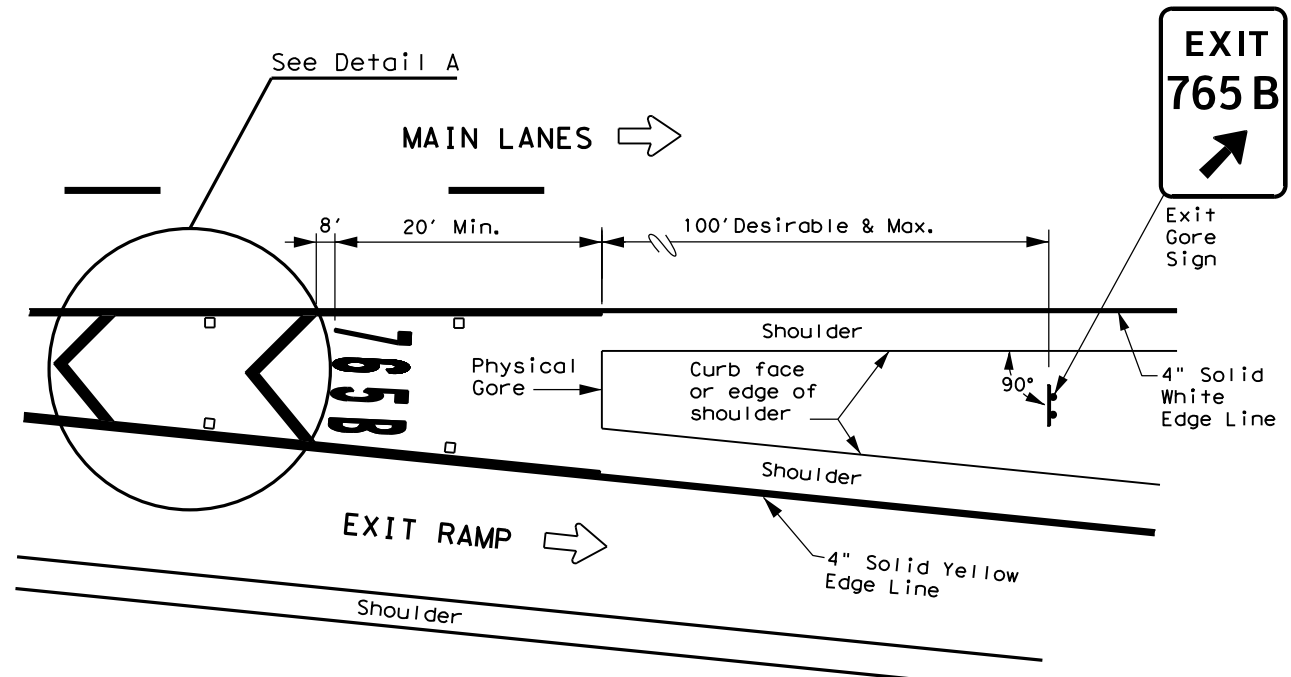


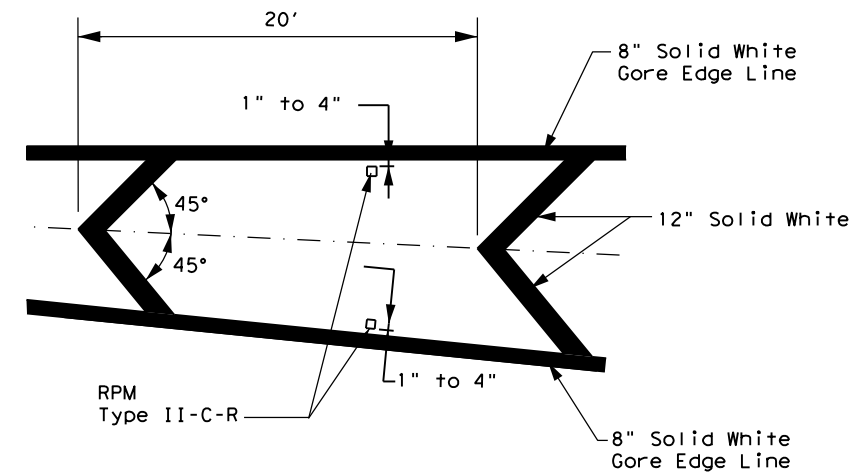
DISCLAIMER: The use of this standard is governed by the "Texas Engineering Practice Act". No warranty of any kind is made by TxDOT for any purpose whatsoever. TxDOT assumes no responsibility for the conversion of this standard to other formats or for incorrect results or damages resulting from its use.

EXIT NUMBER PAVEMENT MARKING NOTES

1. Minimum 8 foot white markings should be used, unless otherwise noted.
2. Spacing between letters and numbers should be approximately 4 inches.
3. Pavement markings are to be located as specified elsewhere in the plans.
4. All pavement marking materials shall meet the required Departmental Material Specifications or as specified in these plans.
5. Numbers and Letters details can be found in the Standard Highway Design for Texas (SHSD) Chapter 12 at <http://www.txdot.gov>



MARKINGS WITH EXIT NUMBER



NOTES

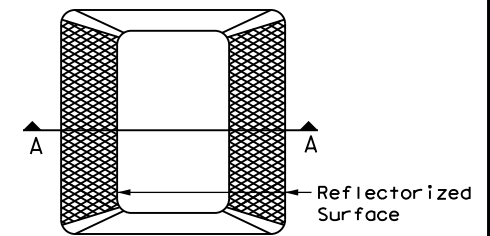
1. Raised pavement markers shall be centered between chevron or gore lines.
2. For more information, see ReflectORIZED Raised Pavement Marker Detail.

DETAIL A

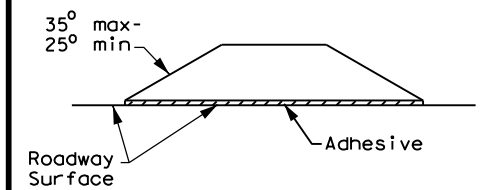
MATERIAL SPECIFICATIONS	
PAVEMENT MARKERS (REFLECTORIZED)	DMS-4200
EPOXY AND ADHESIVES	DMS-6100
BITUMINOUS ADHESIVE FOR PAVEMENT MARKERS	DMS-6130
TRAFFIC PAINT	DMS-8200
HOT APPLIED THERMOPLASTIC	DMS-8220
PERMANENT PREFABRICATED PAVEMENT MARKINGS	DMS-8240

All pavement marking materials shall meet the required Departmental Material Specifications as specified by the plans.

LEGEND	
←	Traffic flow
□	ReflectORIZED Raised Markers (RPM) Type II-C-R



Type II (Top View)



SECTION A

REFLECTORIZED RAISED PAVEMENT MARKER (RPM)

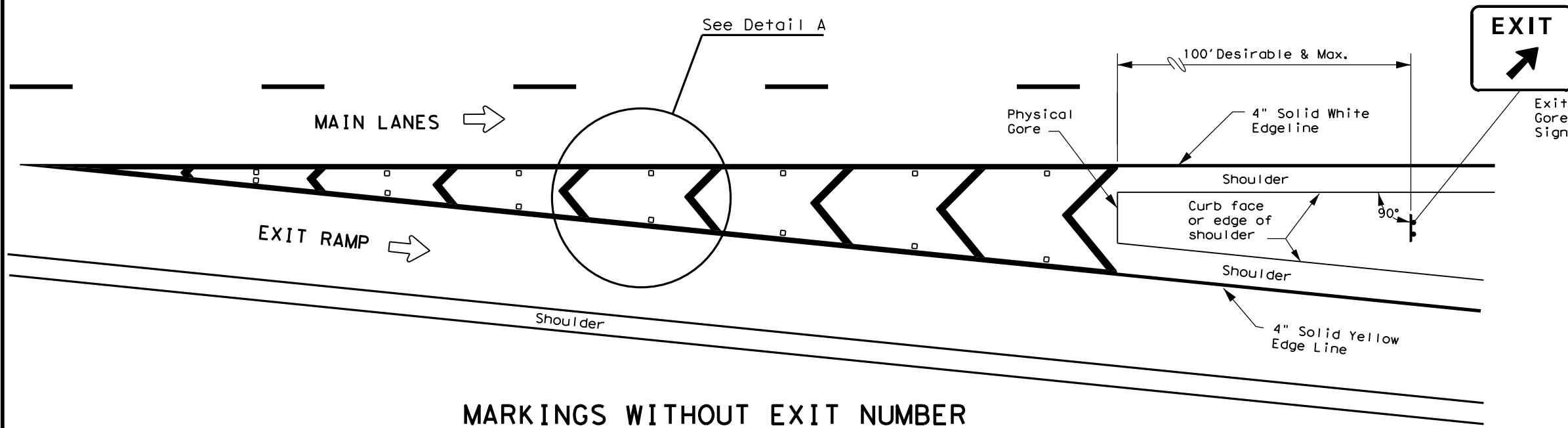


EXIT GORE PAVEMENT MARKINGS

FPM(5) - 19

FILE: fpm(5)-19.dgn	DN:	CK:	DW:	CK:
© TxDOT September 2019	CONT	SECT	JOB	HIGHWAY
REVISIONS	DIST	COUNTY	SHEET NO.	

MARKINGS WITHOUT EXIT NUMBER



DATE:
FILE: