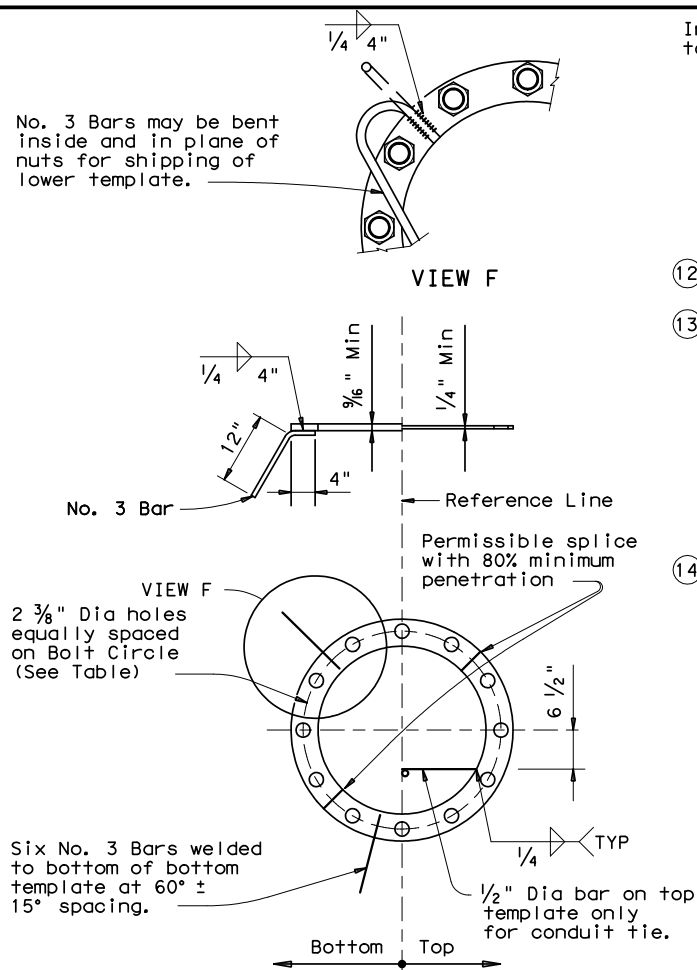
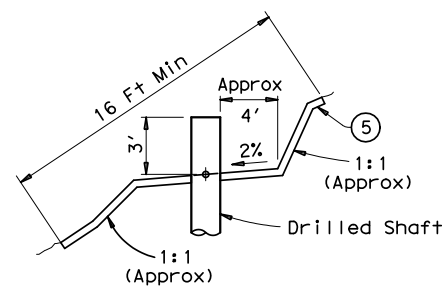


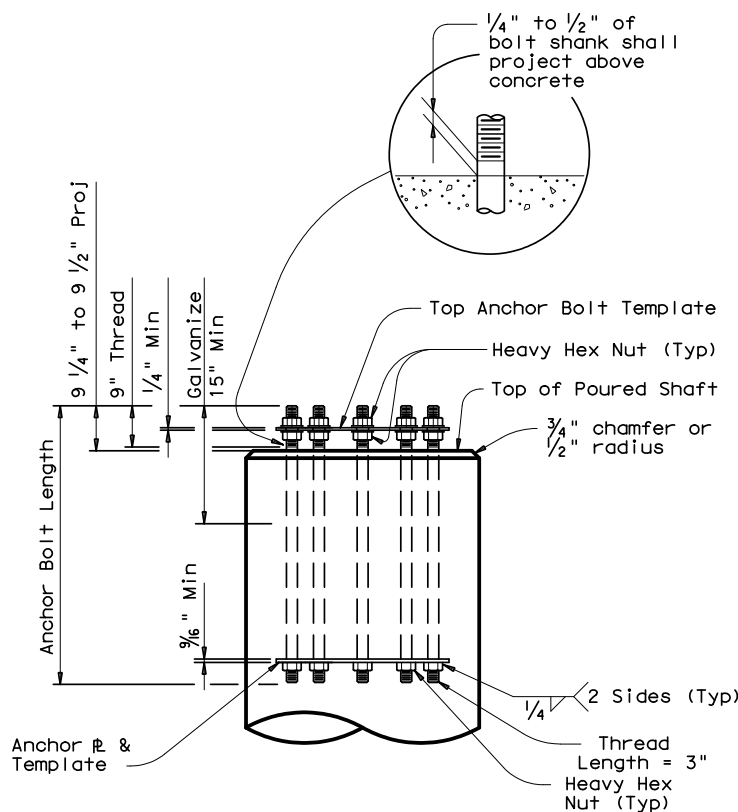
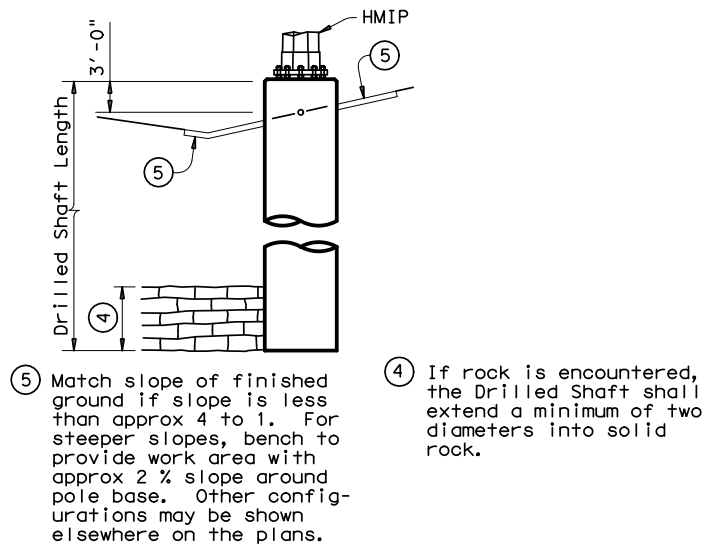
DISCLAIMER: The use of this standard is governed by the "Texas Engineering Practice Act". No warranty of any kind is made by TxDOT for any purpose whatsoever. TxDOT assumes no responsibility for the conversion of this standard to other formats or for incorrect results or damages resulting from its use.



ANCHOR BOLT TEMPLATES

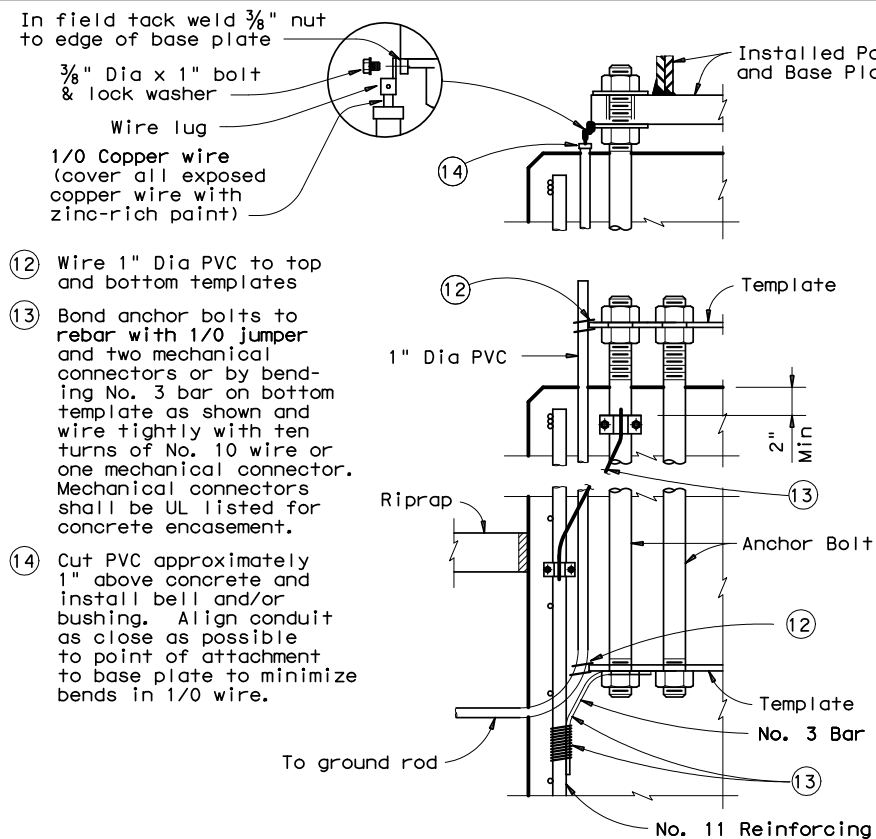


RIPRAP ON SLOPES



ANCHOR BOLT ASSEMBLY

(See Anchor Bolt Table for number of bolts required)



LIGHTNING PROTECTION SYSTEM

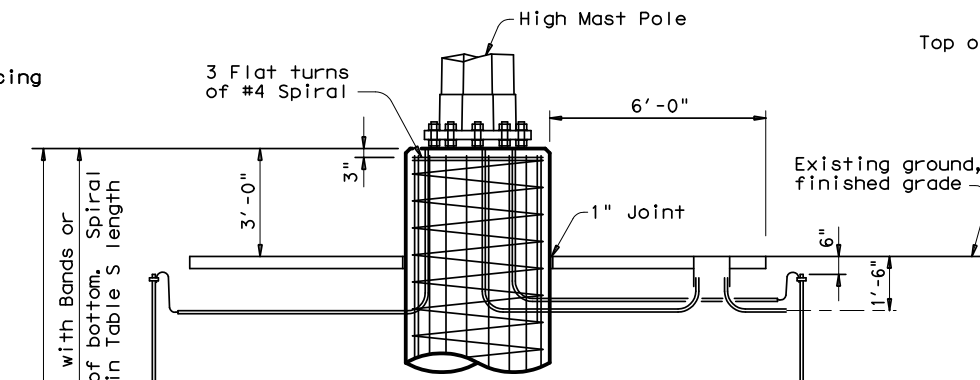
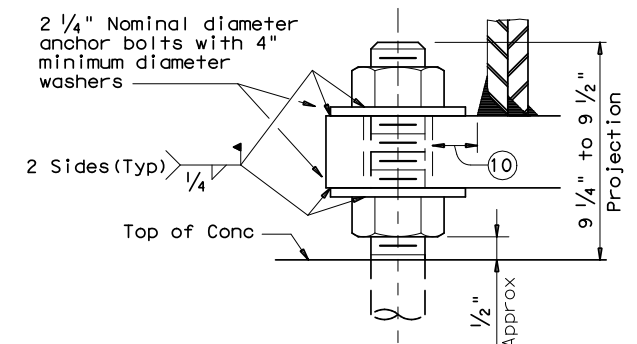
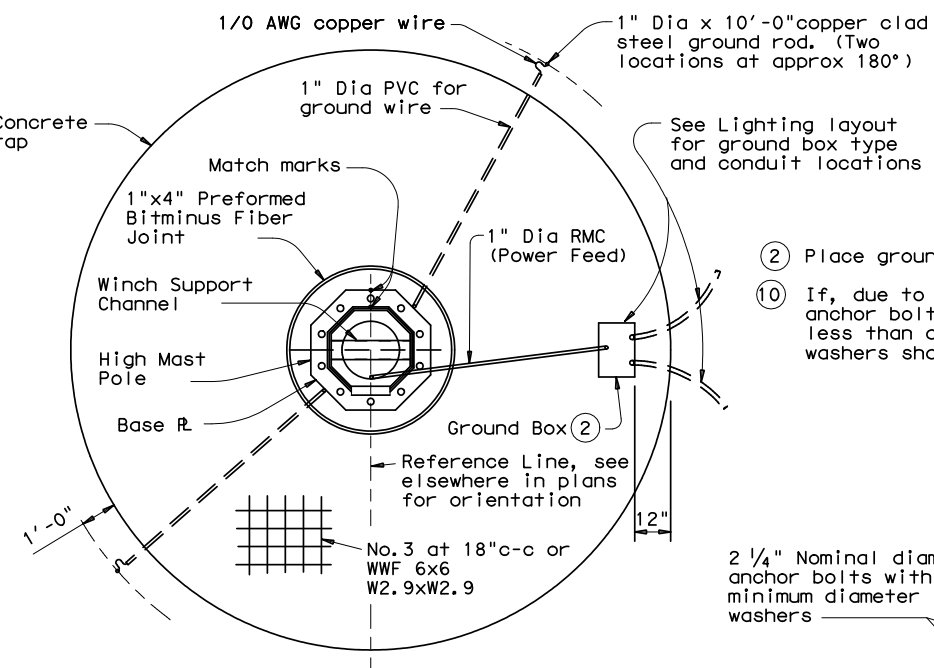


TABLE S	
Shaft Dia (inches)	Min Spiral Length (feet)
48	19
54	21
60	23
66	26

Drilled Shaft Length (See Chart)

Equally spaced Bands at 4'-0" Max spacing or Spiral at 9" pitch

Spiral (see Table S) with Bands or Spiral to within 1 ft of bottom. Spiral not to be welded within Table S length

Vertical bars may be supported on bottom of drilled hole if material is firm enough to do so when concrete is placed

DRILLED SHAFT FOUNDATION DETAIL

Texas Department of Transportation
Traffic Operations Division

HIGH MAST ILLUMINATION POLE FOUNDATIONS

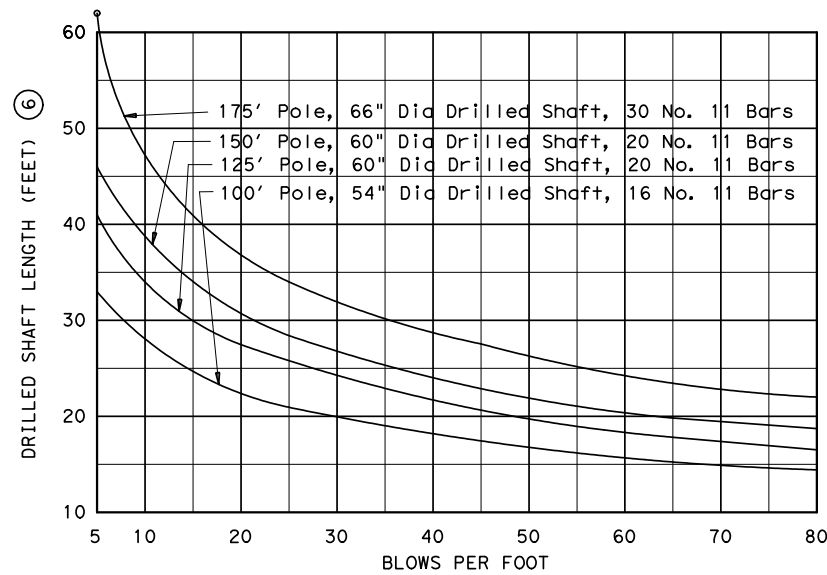
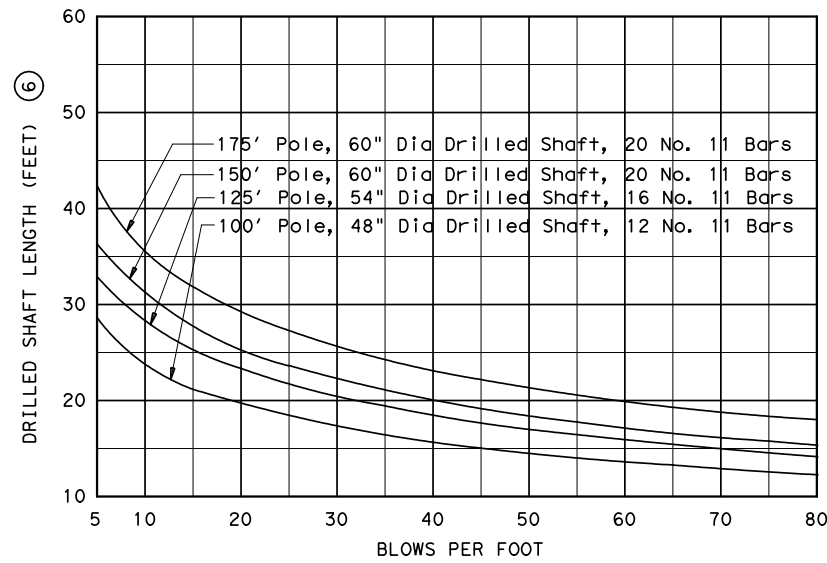
SHEET 1 OF 2

HMIF (1) - 98

© TxDOT August 1995		DN: TxDOT	CK: TxDOT	DW: TxDOT	CK: TxDOT
11-97	REVISIONS	CONT	SECT	JOB	HIGHWAY
5-98 ~ Anchor Bolt Circle Dia		DIST	COUNTY		SHEET NO.

DISCLAIMER: The use of this standard is governed by the "Texas Engineering Practice Act". No warranty of any kind is made by TxDOT for any purpose whatsoever. TxDOT assumes no responsibility for the conversion of this standard to other formats or for incorrect results or damages resulting from its use.

(6) Includes normal 3 Ft exposure.
 Shafts with more than 3 Ft exposure
 must have additional length.



TEXAS CONE PENETROMETER TEST TABLES

NOTE: Use average "N" value over the top third of the embedded shaft. Ignore the top 2' of soil.

ANCHOR BOLT TABLE						
Pole Height (feet)	Bolt Diameter (inches)	Bolt Length (feet)	Bolt Templates		No. of Bolts ~	Bolt Cir Dia (inches)
			O D (inches)	I D (inches)		
8 SIDED POLE						
175	2.25	4.83	45.5	36.5	16	41
150	2.25	4.83	42.5	33.5	12	38
125	2.25	4.83	39.5	30.5	8	35
100	2.25	4.83	35.5	26.5	6	31
12 SIDED POLE						
175	2.25	4.83	48.5	39.5	12	44
150	2.25	4.83	45.5	36.5	10	41
125	2.25	4.83	40.5	31.5	8	36
100	2.25	4.83	36.5	27.5	6	32
8 SIDED POLE						
175	2.25	4.83	50.5	41.5	20	46
150	2.25	4.83	47.5	38.5	16	43
125	2.25	4.83	43.5	34.5	12	39
100	2.25	4.83	38.5	29.5	10	34
12 SIDED POLE						
175	2.25	4.83	50.5	41.5	16	46
150	2.25	4.83	48.5	39.5	12	44
125	2.25	4.83	44.5	35.5	10	40
100	2.25	4.83	40.5	31.5	6	36

MISCELLANEOUS QUANTITIES - ONE HMIF			
Shaft Diameter (in) (7)	48	54	60
Concrete Riprap (CY)	2.33	2.44	2.56
Reinforcing (Lbs) (8)	94	99	103
Ground Box (ea)	1	1	1
R O W Marker (ea) (9)	1	1	1

- (7) See elsewhere on plans for length of Drilled Shaft required.
- (8) For Contractors information only.
- (9) Designated elsewhere on plans if required.

GENERAL NOTES:

Unless otherwise noted, the welded steel bands may be replaced with spiral as shown on the foundation details.
 Anchor bolts shall be placed in foundation so there are always two bolts on reference line.
 Drilled shaft lengths as determined from the foundation design chart or other acceptable methods are to be as shown elsewhere on the plans.
 ODSR may not be used for HMIF drilled shafts.
 Concrete for drilled shafts shall be Class C.
 Repair welded areas with zinc-rich paint.
 All Anchor Bolts, Nuts and Washers shall be galvanized in accordance with Item 445, "Galvanizing".



HIGH MAST ILLUMINATION POLE FOUNDATIONS

SHEET 2 OF 2 HMIF (2) - 98

© TxDOT August 1995		DN: TxDOT	CK: TxDOT	DW: TxDOT	CK: TxDOT
5-98 ~ Anchor Bolt	REVISIONS	CONT	SECT	JOB	HIGHWAY
Circle Dia					
		DIST	COUNTY		SHEET NO.