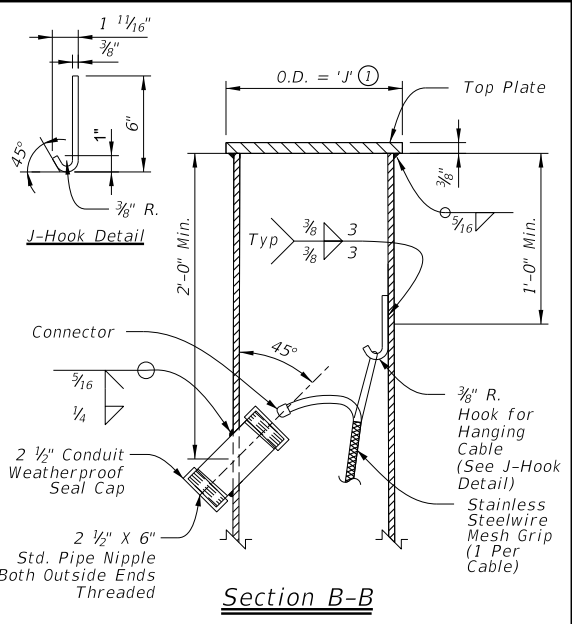
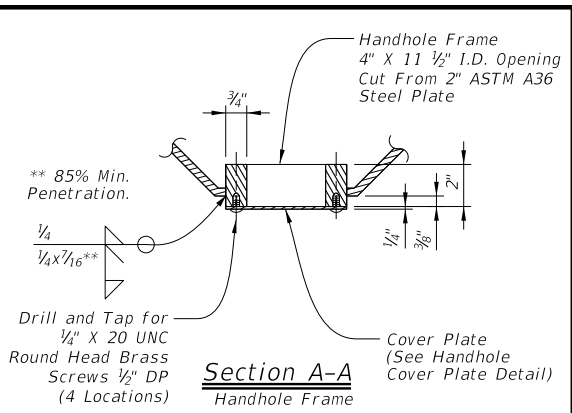
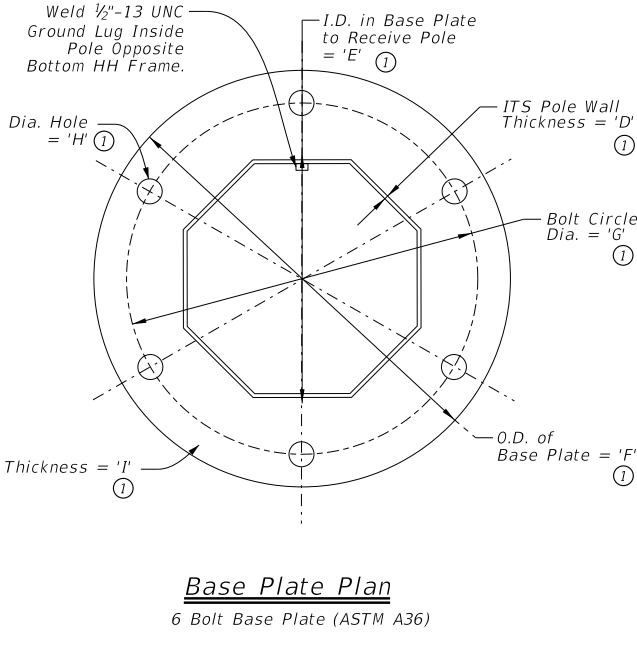
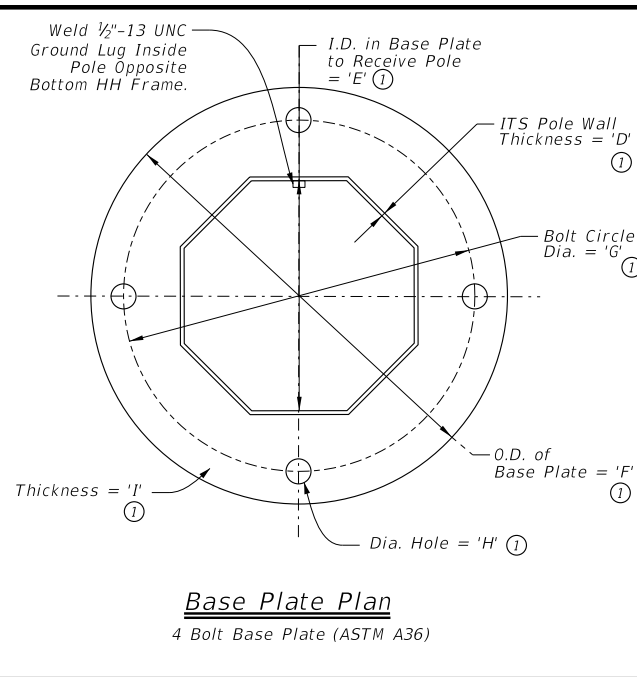
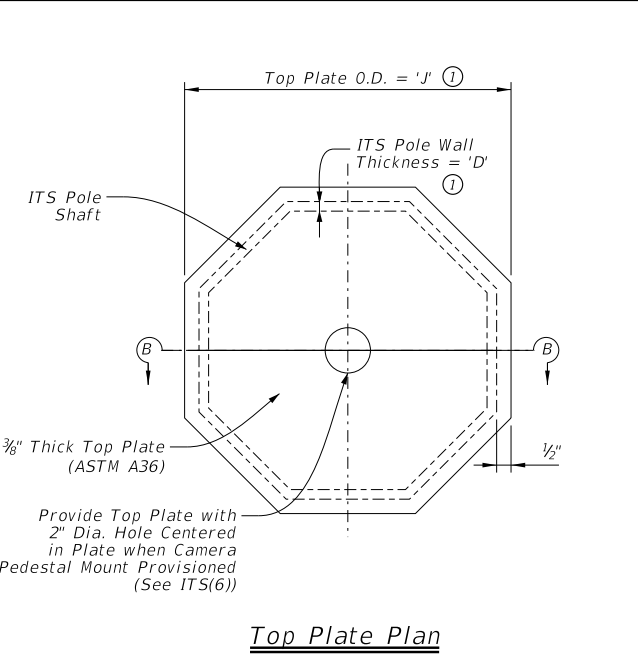
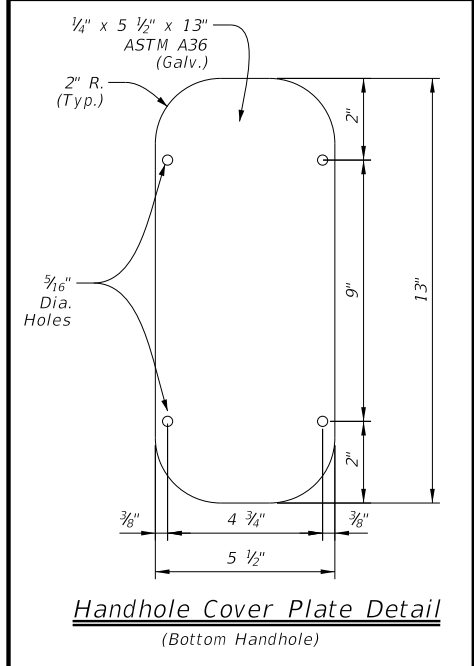
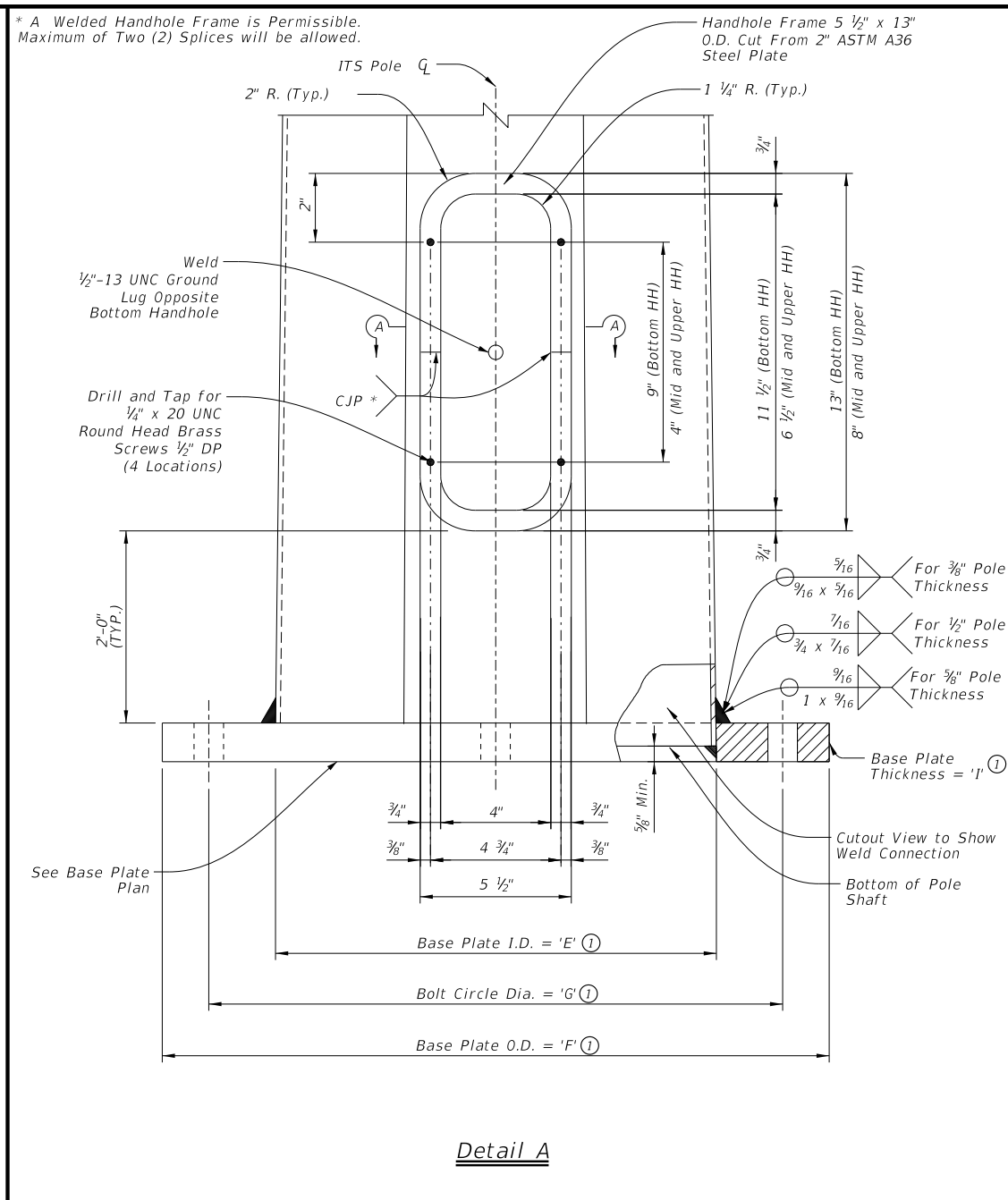
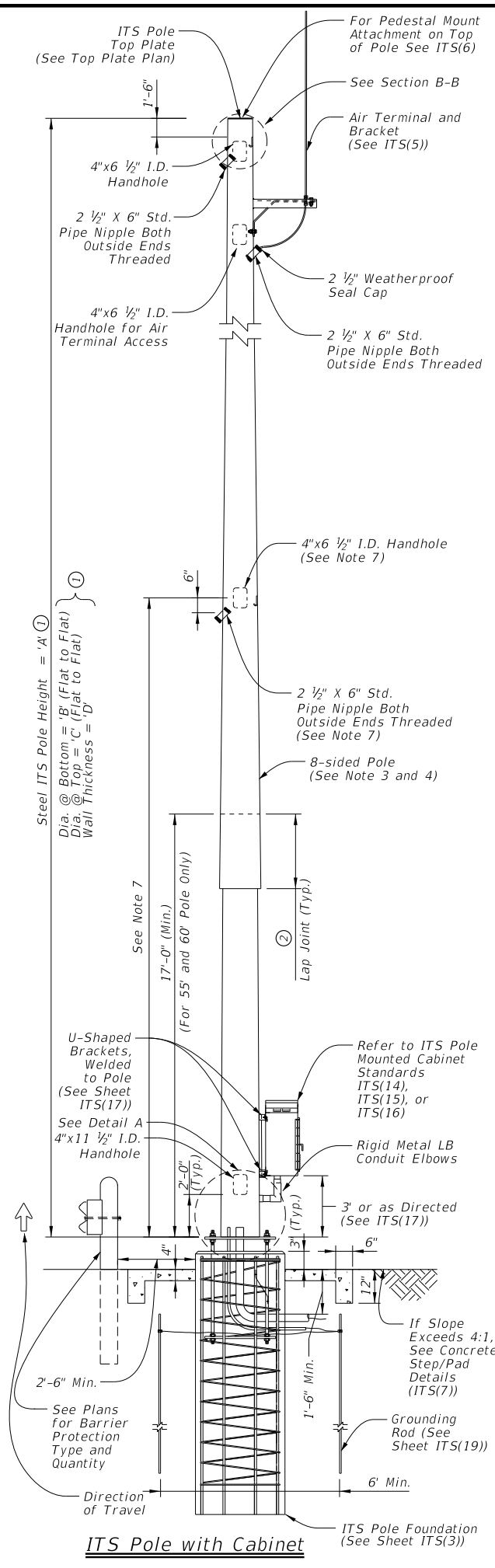


DISCLAIMER: The use of this standard is governed by the "Texas Engineering Practice Act". No warranty of any kind is made by TxDOT for any purpose whatsoever. TxDOT assumes no responsibility for the conversion of this standard to other formats or for incorrect results or damages resulting from its use.

DATE: FILE:



- General Notes**
- Designed according to Sixth Edition 2013 AASHTO Standard Specifications for Structural Supports for Highway Signs, Luminaires, and Traffic Signals and Interim Specifications.
  - Unless otherwise noted, all parts shall be galvanized after fabrication in accordance with Item 445, "Galvanizing."
  - Deviation from the design criteria, values, and dimensions shown herein and on ITS(4), constitutes an alternative design and will require submission of shop drawings and calculations for approval, sealed by a Texas Professional Engineer.
  - Direct substitution of twelve sided or round poles, matching the design criteria, values, and dimensions shown herein, require submission of shop drawings for approval to confirm design criteria and values on ITS(4) is met.
  - Locate handholes opposite of the direction of travel.
  - Appropriate number of anchor bolts for base plate determined by height of pole. See 'L' on sheet ITS(4).
  - Location for ITS equipment mount may vary by device. Locate mid span handhole and pipe nipple to accommodate location for ITS equipment as identified in the plans or per manufacturer recommendations. Identify location for mid span handhole and pipe nipple on shop drawings for approval.
- Reference Notes:**
- See tables on Sheet ITS(4) for values of dimension variables.
  - See lap joint note for 55' and 60' pole heights on ITS(4) at the bottom of each table.

Texas Department of Transportation Traffic Operations Division Standard

**ITS(1)-15**

FILE: its(1)-15.dgn	DN: TxDOT	CK: TxDOT	DW: TxDOT	CK: TxDOT
© TxDOT June 2015	CONT	SECT	JOB	HIGHWAY
REVISIONS				
	DIST	COUNTY		SHEET NO.