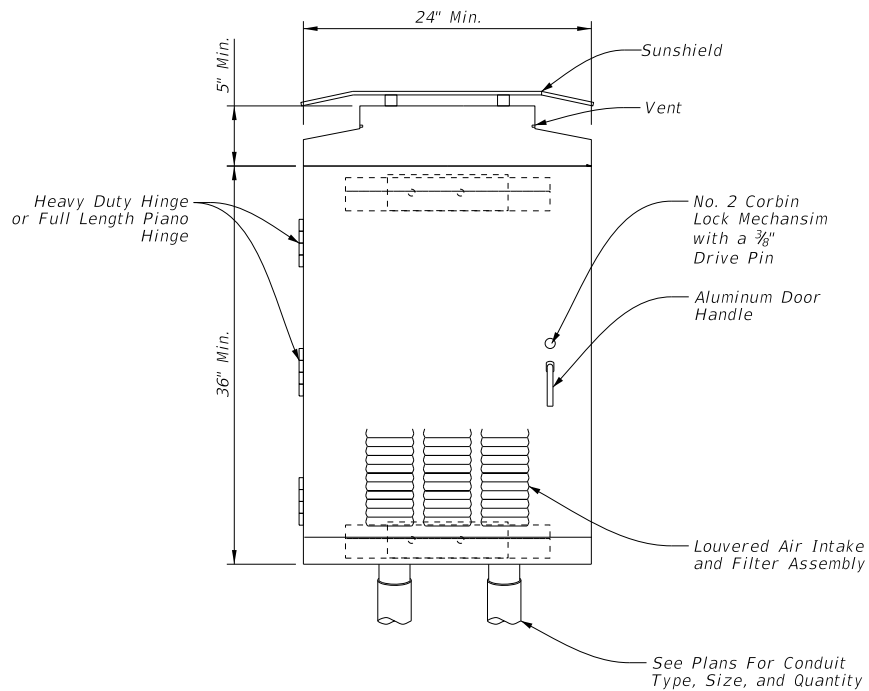
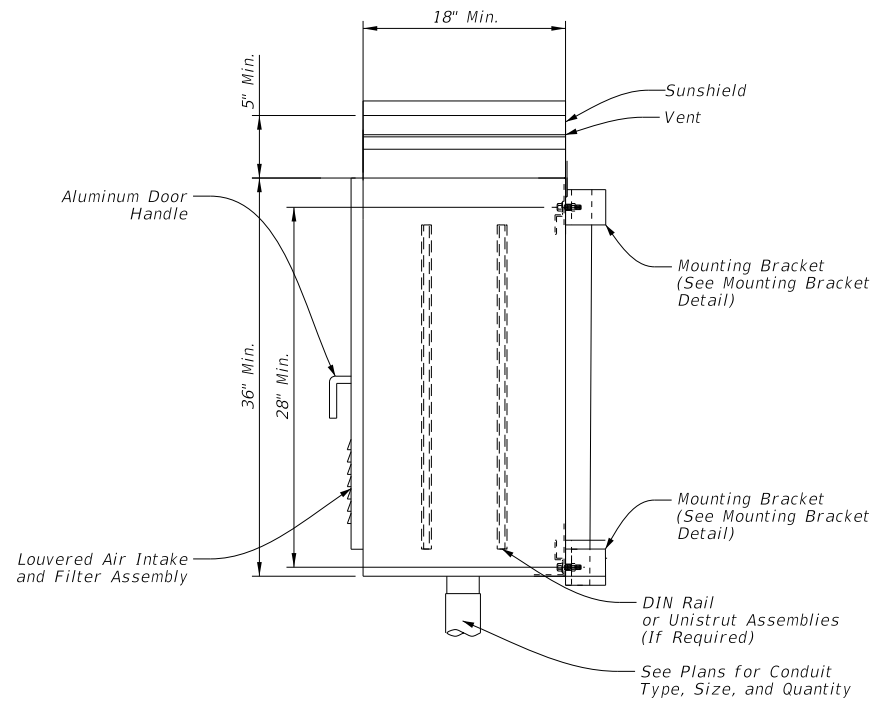


DISCLAIMER: The use of this standard is governed by the "Texas Engineering Practice Act". No warranty of any kind is made by TxDOT for any purpose whatsoever. TxDOT assumes no responsibility for the conversion of this standard to other formats or for incorrect results or damages resulting from its use.



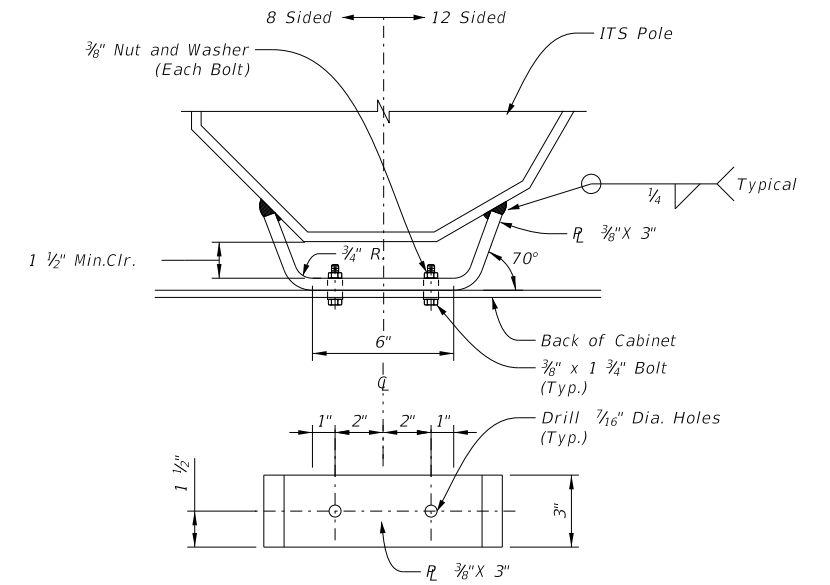
Pole Mounted Cabinet - Type 2 Front View

Not to Scale



Pole Mounted Cabinet - Type 2 Side View

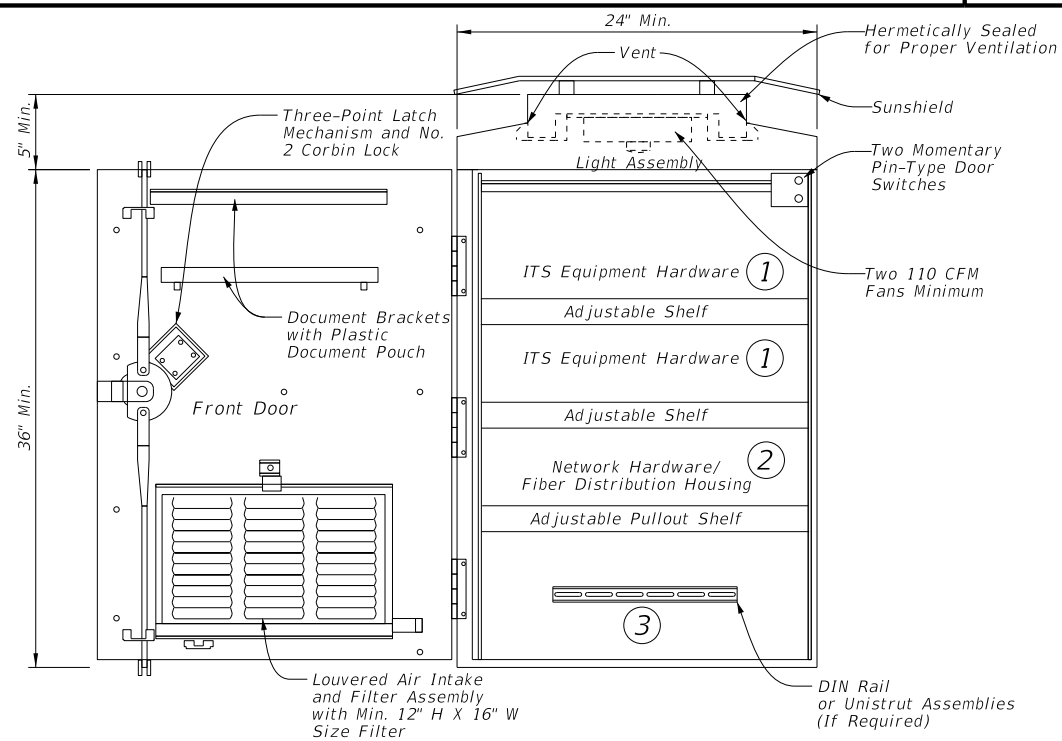
Not to Scale



Note: ITS Pole May be Round, Octagonal (8 Sided), or Dodecahedron (12 Sided). See ITS(1), and ITS(2) for Details.

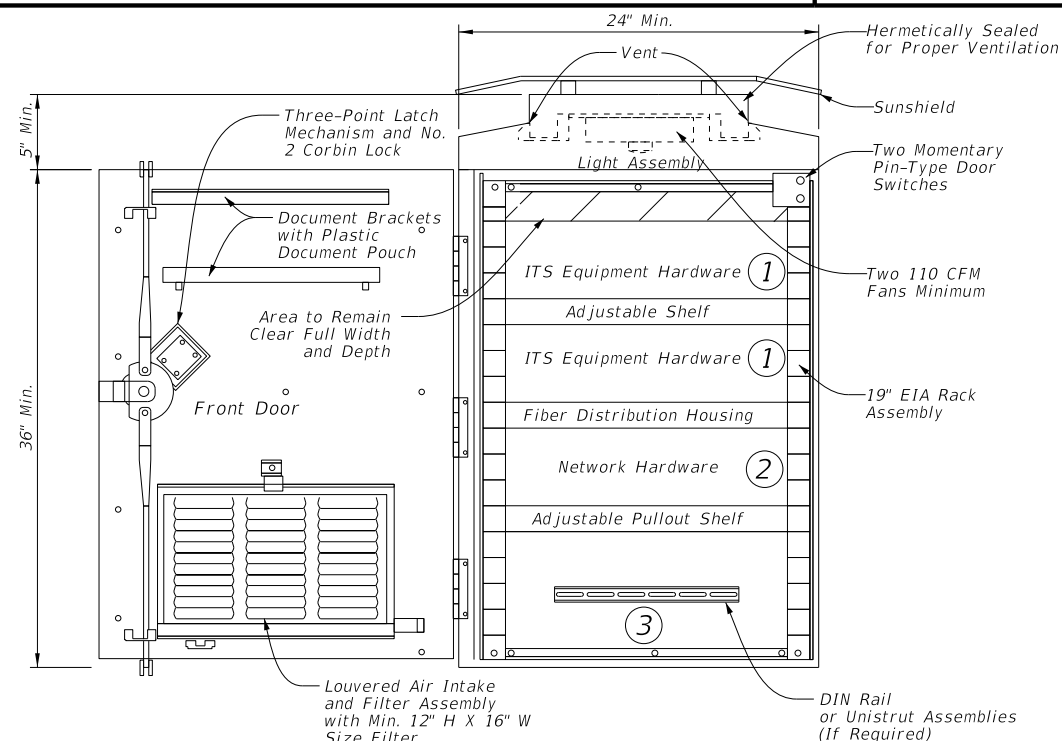
Mounting Bracket Detail

Not to Scale



Interior - Type 2 Without 19" EIA Rack - Front View

Not to Scale



Interior - Type 2 With 19" EIA Rack - Front View

Not to Scale

Typical Equipment Layout Legend	
Example Equipment	
①	CCTV Interface Panel, Radar Vehicle Sensing Device (RVSD) Equipment, DMS/LCS Controller, Environmental Sensor Station (ESS) Equipment, Bluetooth Equipment, or ITS Radio Equipment (See General Note 1)
②	Ethernet Switch, Video Encoder, Terminal Server, Fiber Optic Transceivers, or Media Conversion Equipment (See General Note 1)
③	Power Distribution Assembly, Service Entrance Breakers, Primary AC Power, Auxiliary Power Strip, Ground Bus Bar, Surge Protection Equipment

General Notes:

- Layout of hardware equipment and configuration shown is diagrammatic in nature and intended to represent a preferred Type 2 pole mounted cabinet setup. Hardware needed for each Type 2 cabinet varies and not all cabinet equipment may be shown. The contractor will be responsible for configuring cabinets with all appropriate ITS hardware and power supplies in accordance with the plans and specifications. The contractor may alter the cabinet configuration shown to maximize space and ensure easy access for maintenance.
- Mount cabinet as detailed on ITS(15) or ITS(17). Orientation of cabinet on ITS pole may vary depending on field conditions. Mount the pole mounted cabinet to the backside of the ITS pole, to allow maintenance personnel to access the cabinet while being able to view oncoming traffic.
- For ITS pole sites located on slopes greater than 4H:1V, mount the cabinet to the backside of the ITS pole as detailed on ITS(7). Mounting height to accommodate maintenance pad for easy access.
- All dimensions are approximate and represent minimum cabinet dimensions.
- Provide conduit entrances at the bottom of the cabinet.
- Paid under Special Specification "ITS Pole with Cabinet" (Configuration 1) without 19" EIA rack.
Paid under Special Specification "ITS Pole with Cabinet" (Configuration 2) with 19" EIA rack.

DATE: FILE:



Orientation of Type 2 Cabinet on ITS Pole (Typical)

Not to Scale

		Traffic Operations Division Standard	
<h2>ITS POLE MOUNTED CABINET TYPE 2 DETAILS</h2> <h3>ITS(15)-15</h3>			
FILE: its(15)-15.dgn	DN: TxDOT	CK: TxDOT	DW: TxDOT
© TxDOT June 2015	CONT	SECT	JOB
REVISIONS		HIGHWAY	
DIST	COUNTY	SHEET NO.	