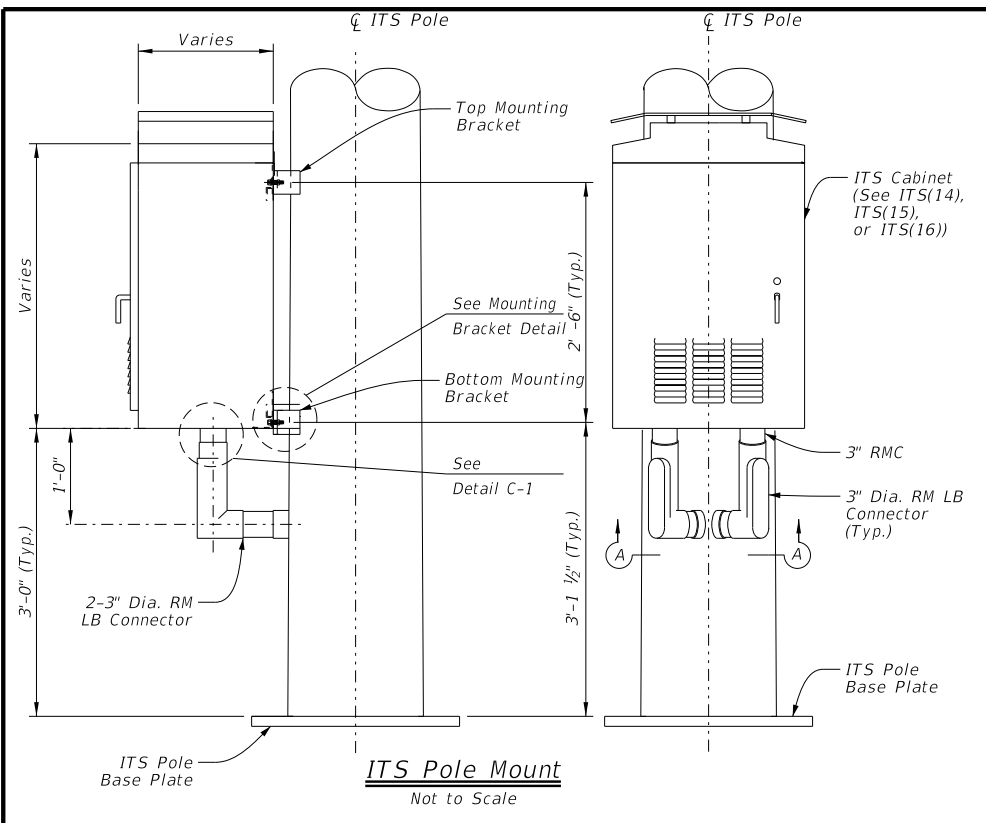
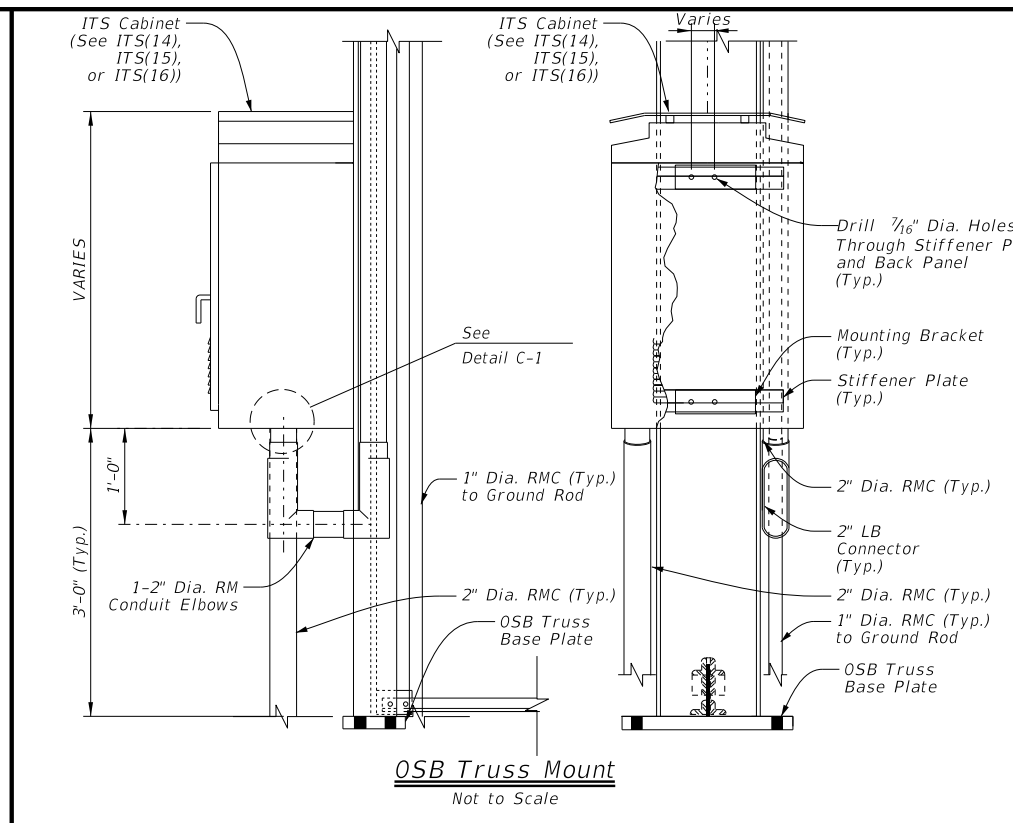


DISCLAIMER: The use of this standard is governed by the "Texas Engineering Practice Act". No warranty of any kind is made by TxDOT for any purpose whatsoever. TxDOT assumes no responsibility for the conversion of this standard to other formats or for incorrect results or damages resulting from its use.

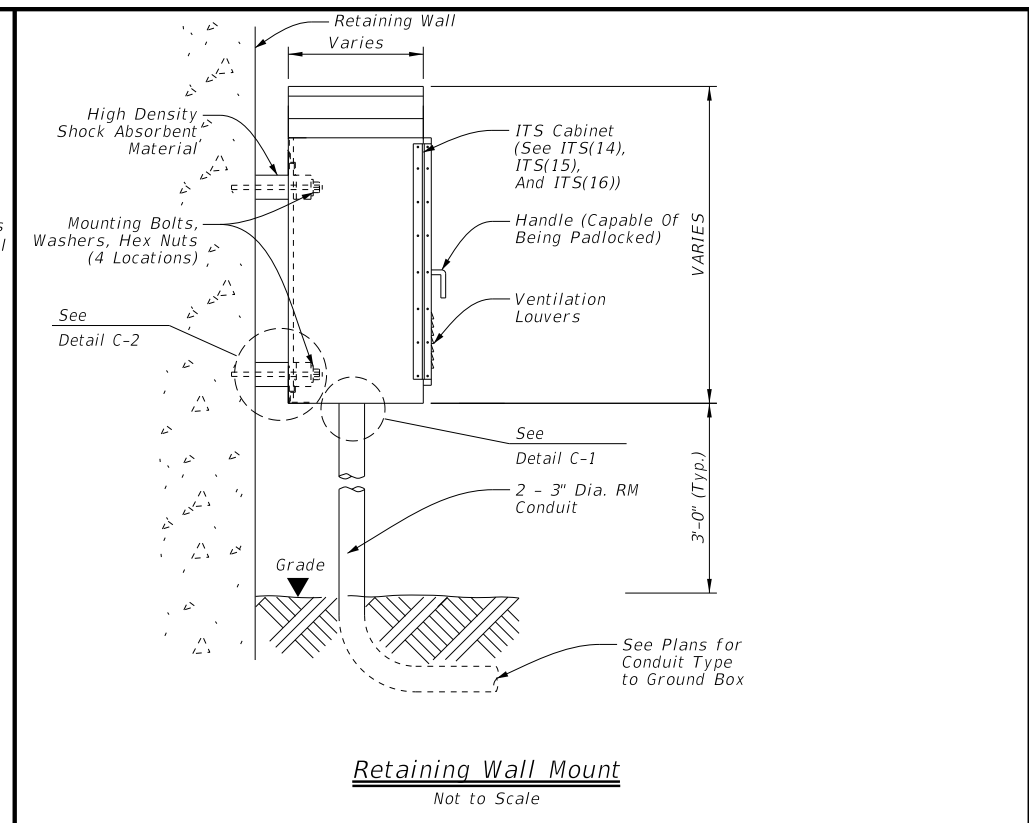
DATE:
FILE:



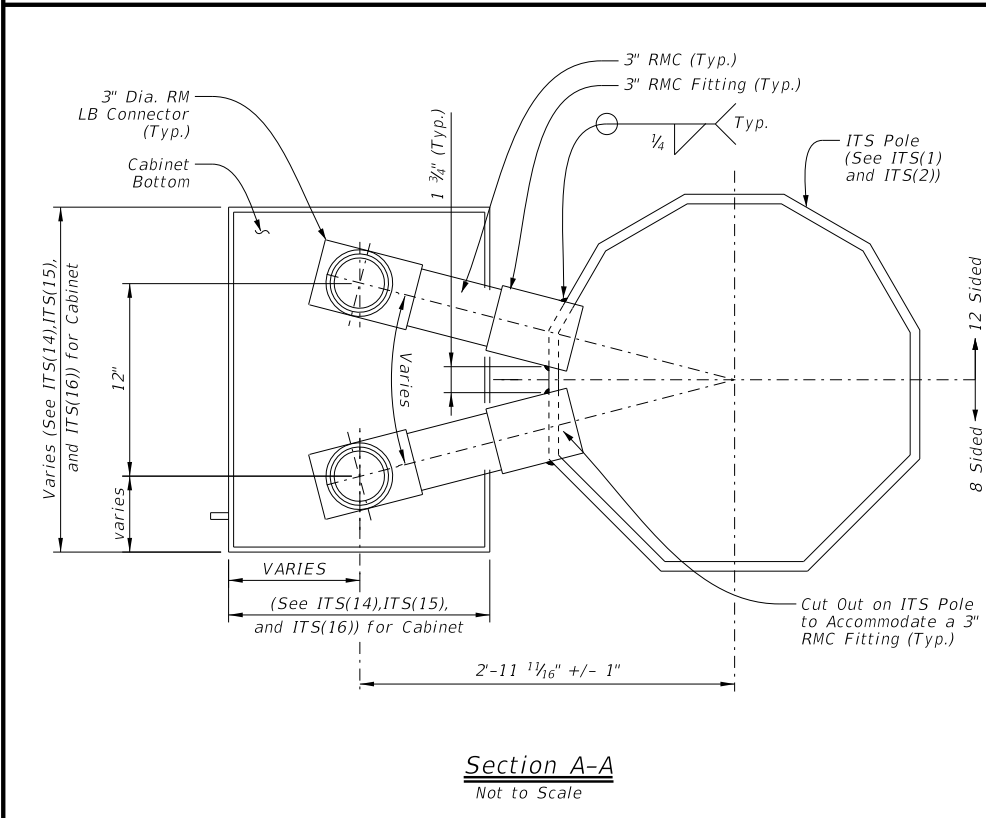
ITS Pole Mount
Not to Scale



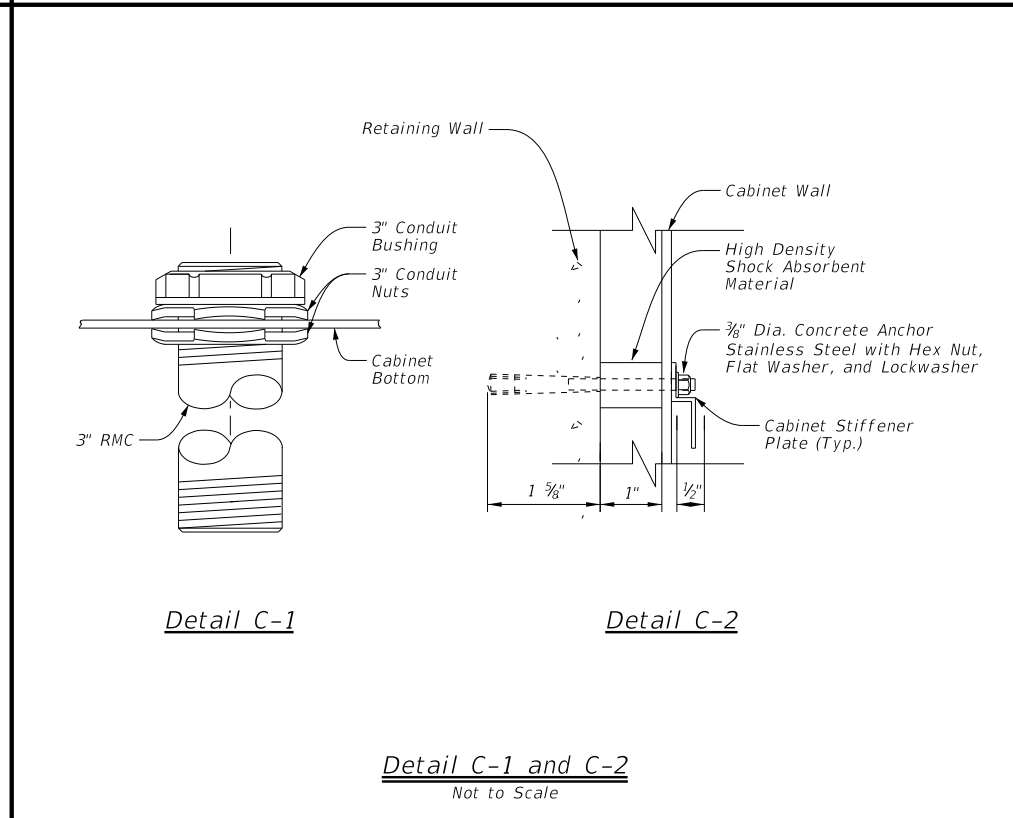
OSB Truss Mount
Not to Scale



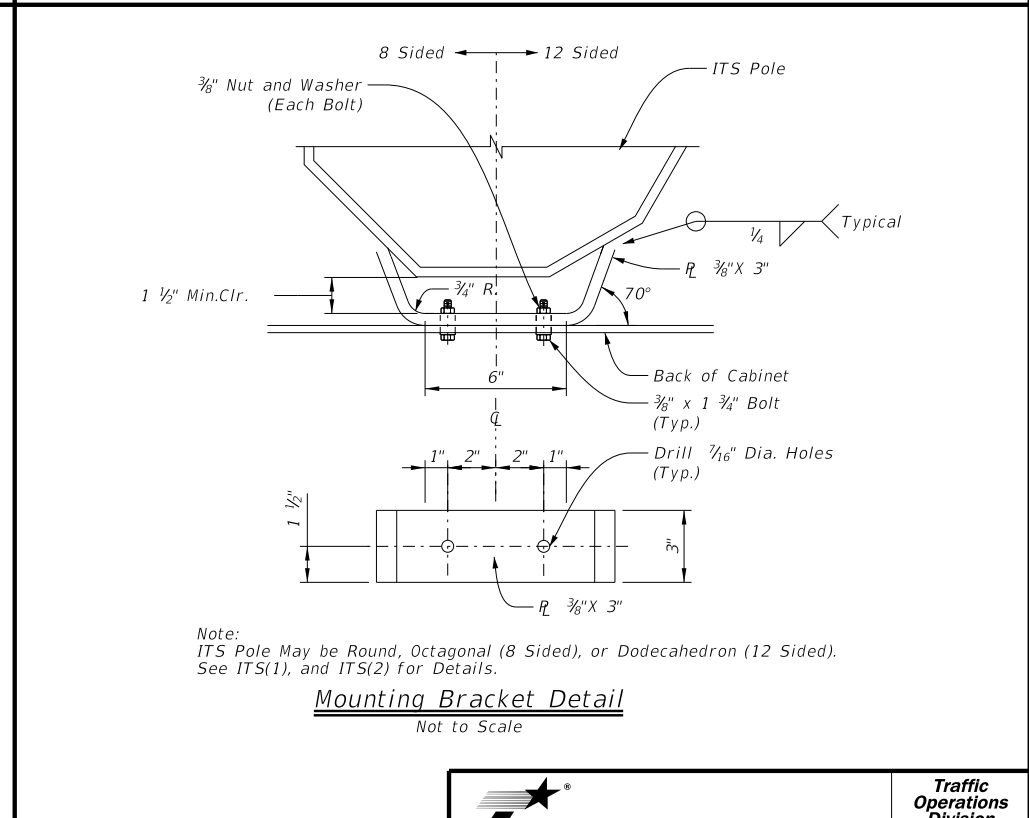
Retaining Wall Mount
Not to Scale



Section A-A
Not to Scale



Detail C-1 and C-2
Not to Scale



Mounting Bracket Detail
Not to Scale

General Notes:

1. Mount cabinet as detailed on ITS(14), ITS(15), ITS(16), or ITS(17). Orientation of cabinet on ITS pole may vary depending on field conditions. Mount the pole mounted cabinet to the backside of the ITS pole, to allow maintenance personnel to access the cabinet while being able to view oncoming traffic.
2. For ITS pole sites located on slopes greater than 4V:1H, mount the cabinet to the backside of the ITS pole as detailed on ITS(7). Mounting height to accommodate maintenance pad for easy access.
3. All dimensions are approximate and represent minimum dimensions.
4. Provide conduit entrances at the bottom of the cabinet.

		Traffic Operations Division Standard	
<h2>ITS POLE MOUNTED CABINET MISC. MOUNTING DETAILS</h2> <h3>ITS(17)-15</h3>			
FILE: its(17)-15.dgn	DN: TxDOT	CK: TxDOT	DW: TxDOT
© TxDOT June 2015	CONT	SECT	JOB
REVISIONS		HIGHWAY	
DIST	COUNTY	SHEET NO.	