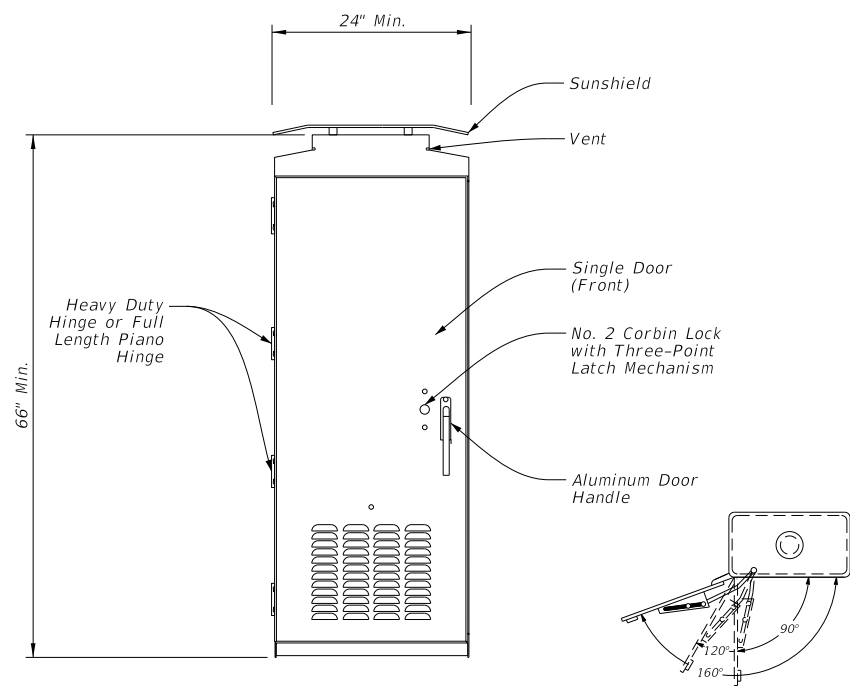


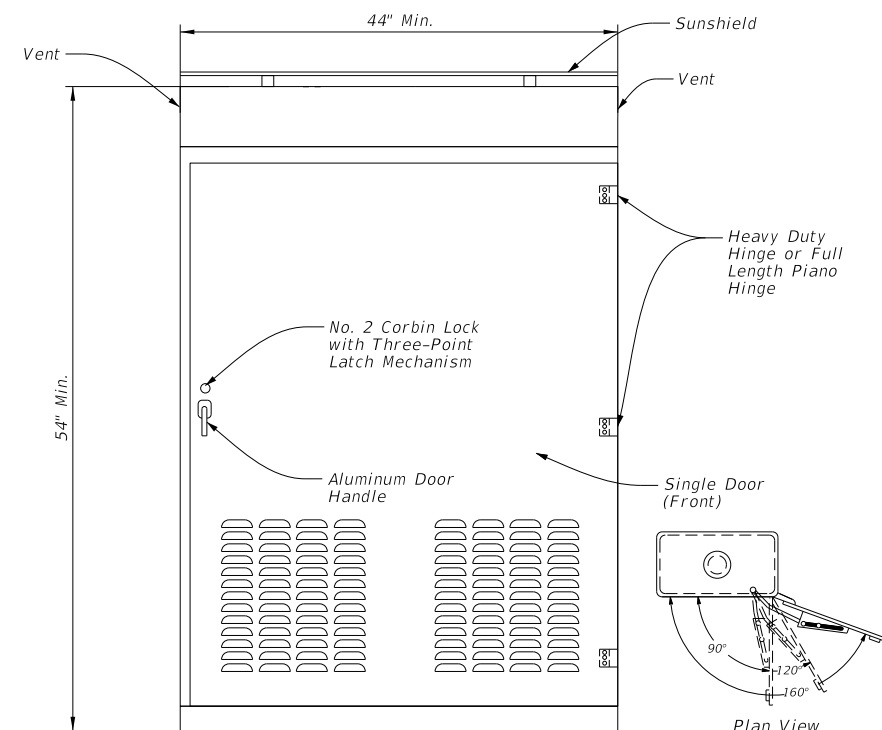
DISCLAIMER: The use of this standard is governed by the "Texas Engineering Practice Act". No warranty of any kind is made by TxDOT for any purpose whatsoever. TxDOT assumes no responsibility for the conversion of this standard to other formats or for incorrect results or damages resulting from its use.

DATE: FILE:



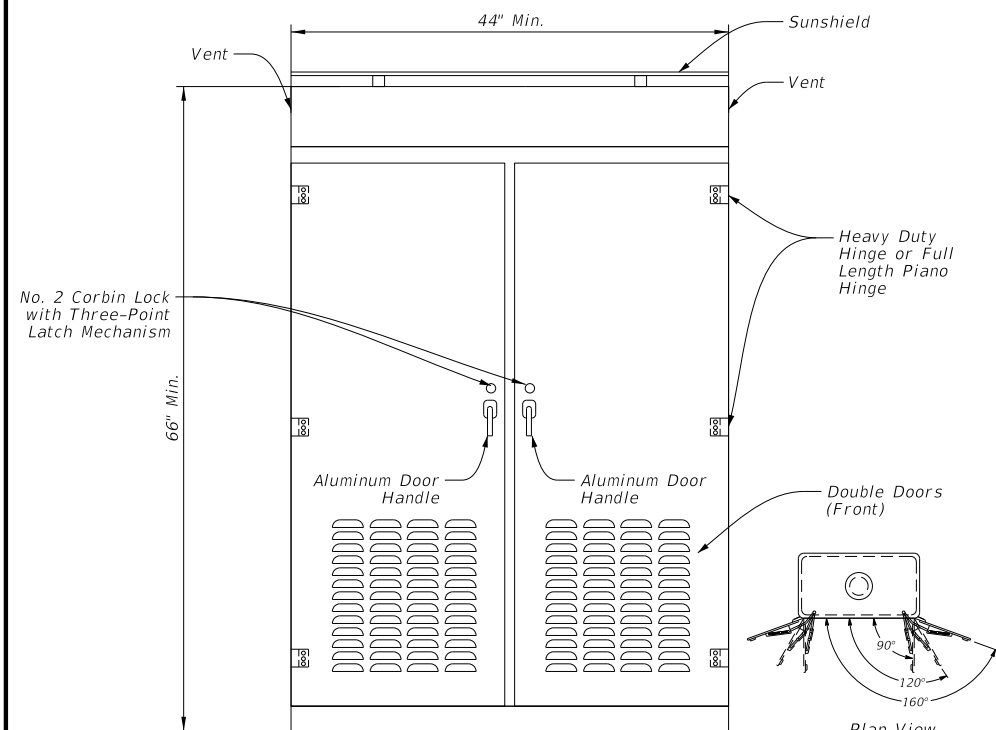
Type 4 (Small) Cabinet
Front View

Plan View
Door Stop Detail
(3 Positions)



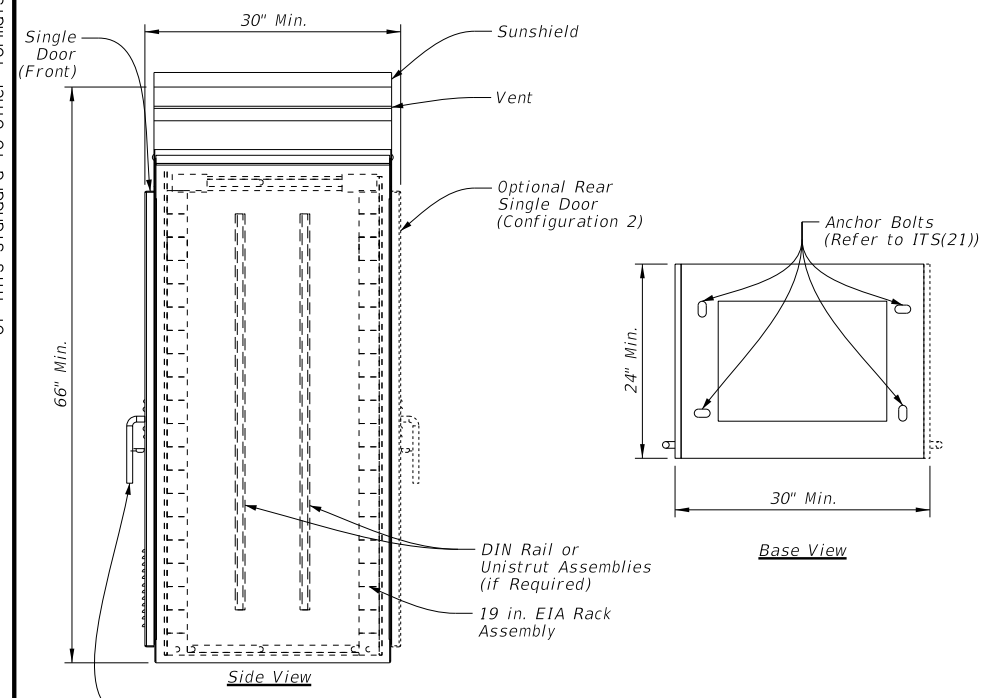
Type 5 (Medium) Cabinet
Front View

Plan View
Door Stop Detail
(3 Positions)



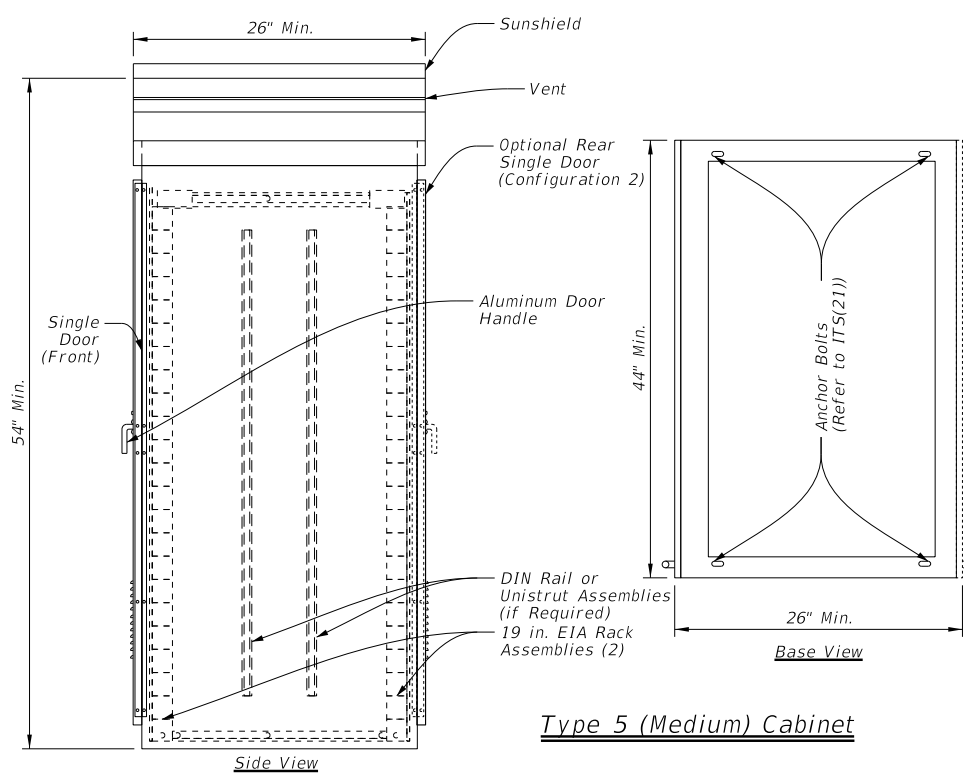
Type 6 (Large) Cabinet
Front View

Plan View
Door Stop Detail
(3 Positions)



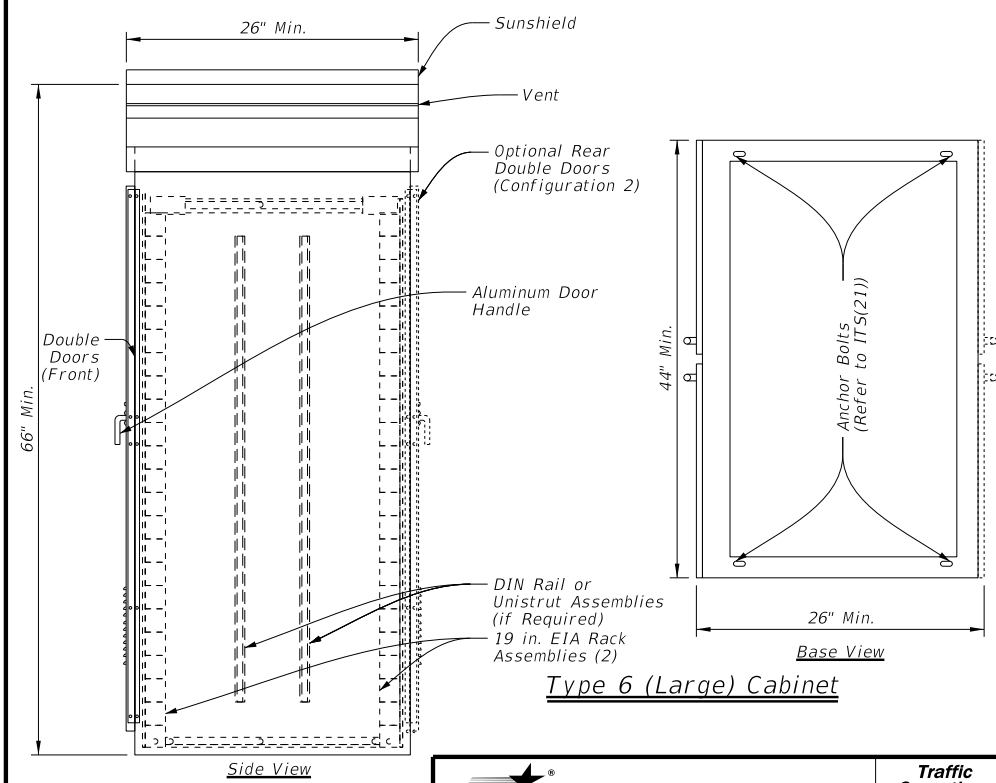
Type 4 (Small) Cabinet

Base View



Type 5 (Medium) Cabinet

Base View



Type 6 (Large) Cabinet

Base View

General Notes:

1. Cabinet hardware equipment and door configuration shown is diagrammatic in nature and intended to represent a preferred ground mounted cabinet setup. Door orientation may vary and will be noted in the plans. The contractor will be responsible for configuring cabinets with all appropriate ITS hardware and power supplies in accordance with the plans and specifications. The contractor may alter the cabinet configuration shown to maximize space and ensure easy access for maintenance.
2. All dimensions are approximate and represent minimum dimensions.
3. Provide conduit entrances at the bottom of the cabinet.
4. Paid under Special Specification "ITS Ground Mounted Cabinet" (Configuration 1) with single door.
Paid under Special Specification "ITS Ground Mounted Cabinet" (Configuration 2) for rear door option.
5. Sunshield to be mounted to cabinet using nuts, bolts, and spacers.
Water proof sealant to be used at cabinet surface/bolt contact points.



**ITS GROUND MOUNTED
CABINET ELEVATION
DETAILS**

ITS(20)-15

FILE: its(20)-15.dgn	DN: TxDOT	CK: TxDOT	DW: TxDOT	CK: TxDOT
© TxDOT June 2015	CONT	SECT	JOB	HIGHWAY
REVISIONS				
DIST	COUNTY			SHEET NO.