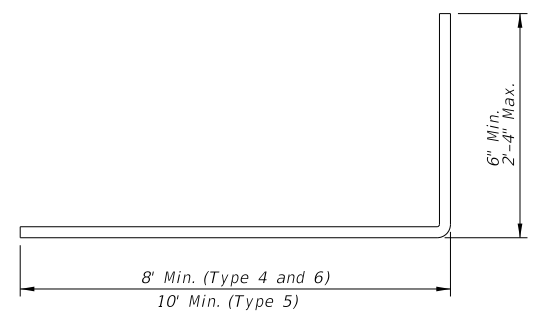
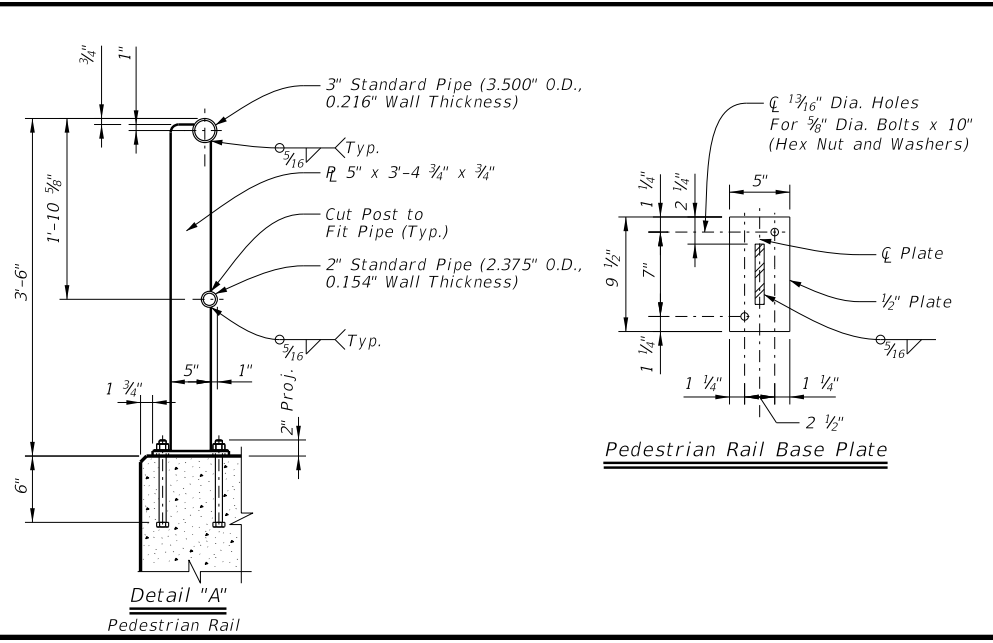
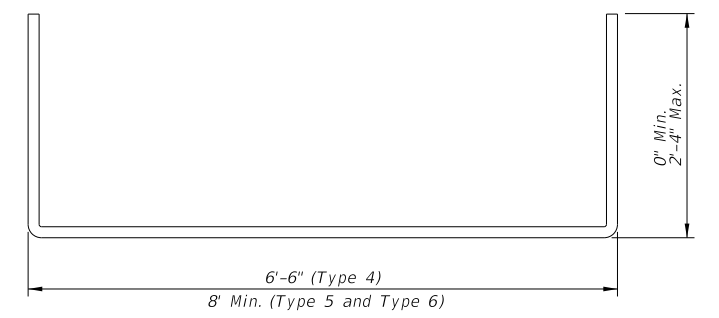


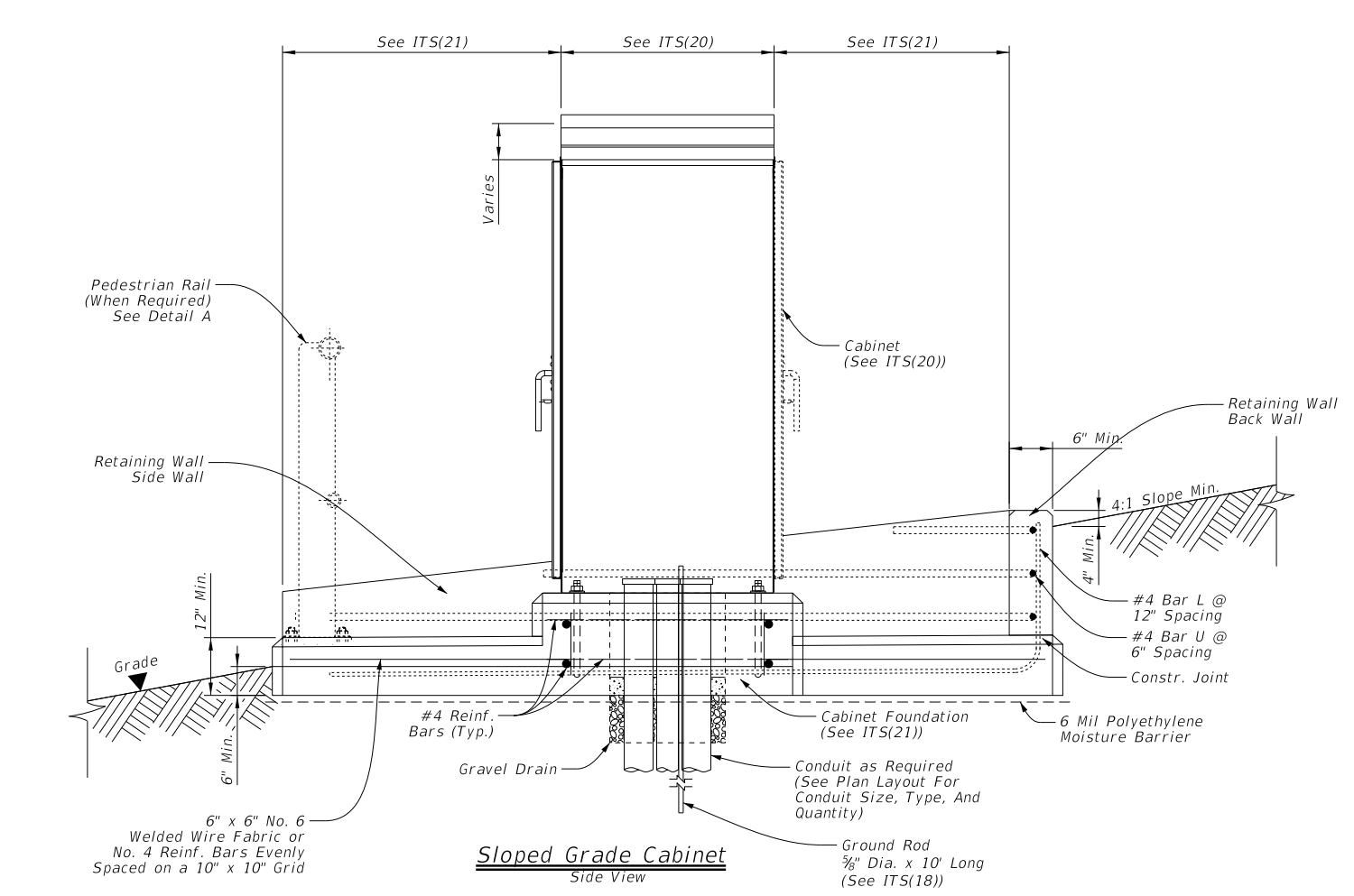
DISCLAIMER: The use of this standard is governed by the "Texas Engineering Practice Act". No warranty of any kind is made by TxDOT for any purpose whatsoever. TxDOT assumes no responsibility for the conversion of this standard to other formats or for incorrect results or damages resulting from its use.



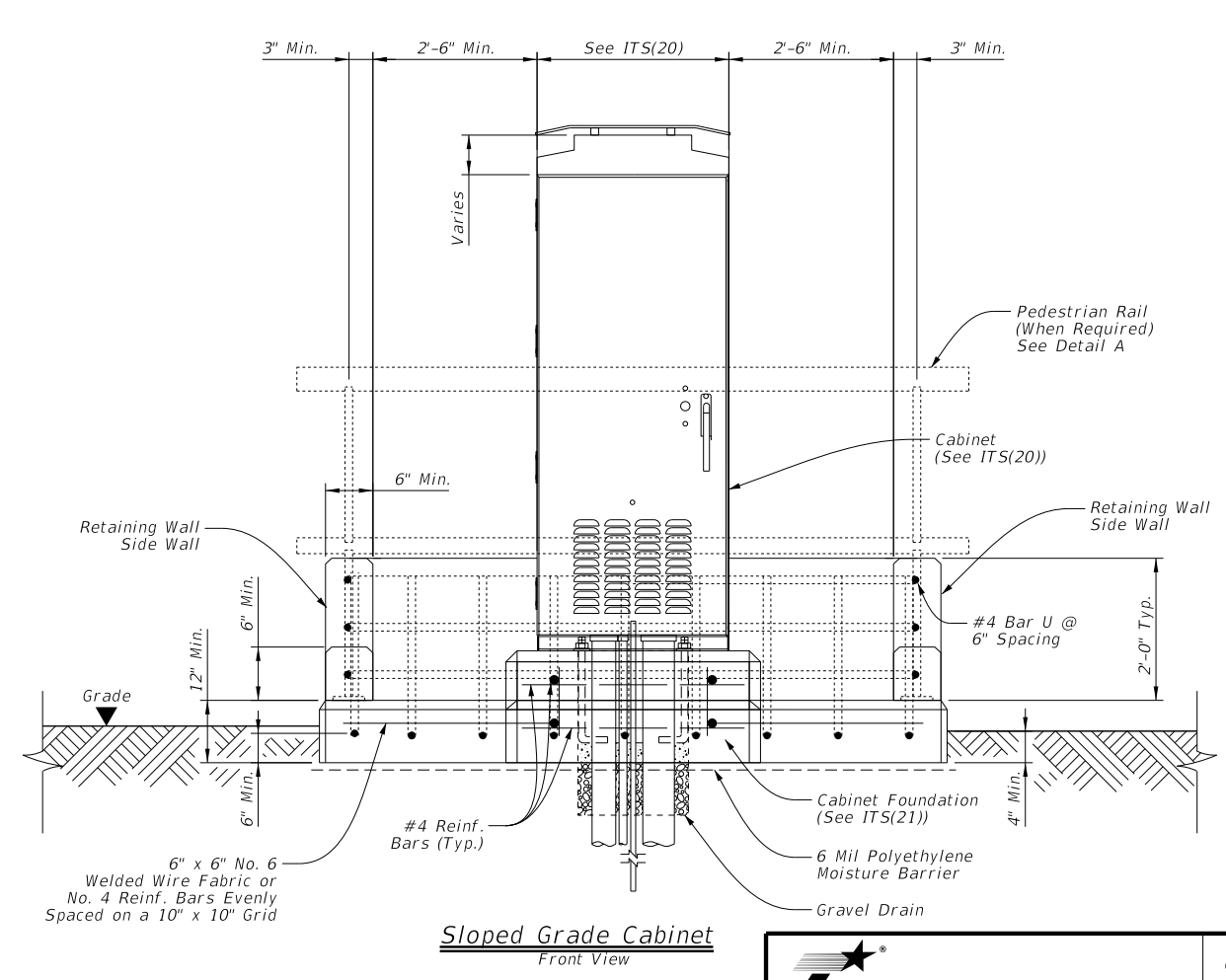
Reinforcement Bar L
#4 Bar @ 12" Spacing



Reinforcement Bar U
#4 Bar @ 6" Spacing



Sloped Grade Cabinet
Side View



Sloped Grade Cabinet
Front View

General Notes:

1. Details of anchor bolt location to be furnished by the cabinet manufacturer. See ITS(21) for size and type of anchor bolts. May vary by manufacturer.
2. Modify concrete base dimensions to fit required cabinet type.
3. Ensure conduit area has gravel drain, 12" depth, coarse aggregate, Grade No. 1.
4. All concrete to be Class "A" in accordance with Item 421.
5. Set the cabinet foundation level with the pavement surface, in unpaved area. The foundation shall be a minimum of 6" above surrounding grade, or as approved by the Engineer.
6. Furnish any additional concrete which may be necessary to stabilize foundation at unusual locations.

7. Foundation will be considered subsidiary to Special Specification "ITS Ground Mounted Cabinet."
8. Ground cabinet as required in cabinet specifications and as per National Electric Code (NEC).
9. Treat cabinet foundation with moisture sealant.
10. Type 5 cabinet foundation will have a slightly larger foundation than Type 6. See foundation notes on details.
11. Drain pipe shall be screened for drainage portion below foundation in gravel.
12. Pipe for pipe rail must conform to ASTM A53 GR B, or A500 GR B. Posts and plates must be ASTM A36. All steel components to be galvanized unless otherwise shown in plans.

13. Pedestrian rail anchor bolts must be 3/8" diameter ASTM A307 Grade A bolts (or A36 threaded rods with one tack welded hex nut each) with one hex nut and one hardened steel washer at each bolt. Threaded rods may be 0.557" minimum diameter with rolled threads. Nuts must conform to A563 requirements.
14. Exposed edges of pipe rail and pipe rail posts must be rounded or chamfered to approximately 1/16" by grinding. Provide an end cap at either end of pipe railing.
15. Welded wire mesh not required in maintenance pad area when retaining wall rebar is integrated into maintenance pad.



ITS GROUND MOUNTED CABINET FOUNDATION ON SLOPE DETAILS

ITS(22)-15

FILE: its(22)-15.dgn	DN: TxDOT	CK: TxDOT	DW: TxDOT	CK: TxDOT
© TxDOT June 2015	CONT	SECT	JOB	HIGHWAY
REVISIONS				
	DIST	COUNTY		SHEET NO.

DATE:
FILE: