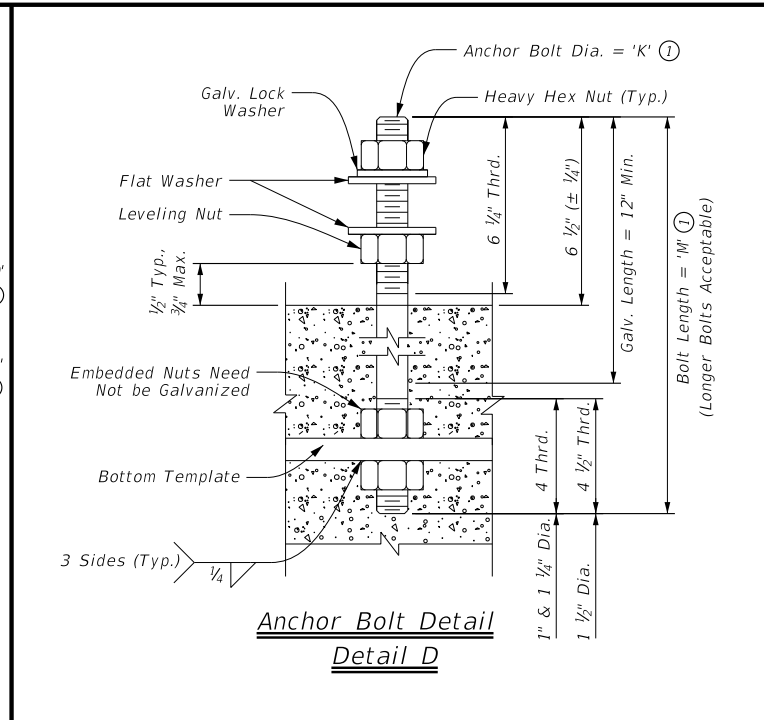
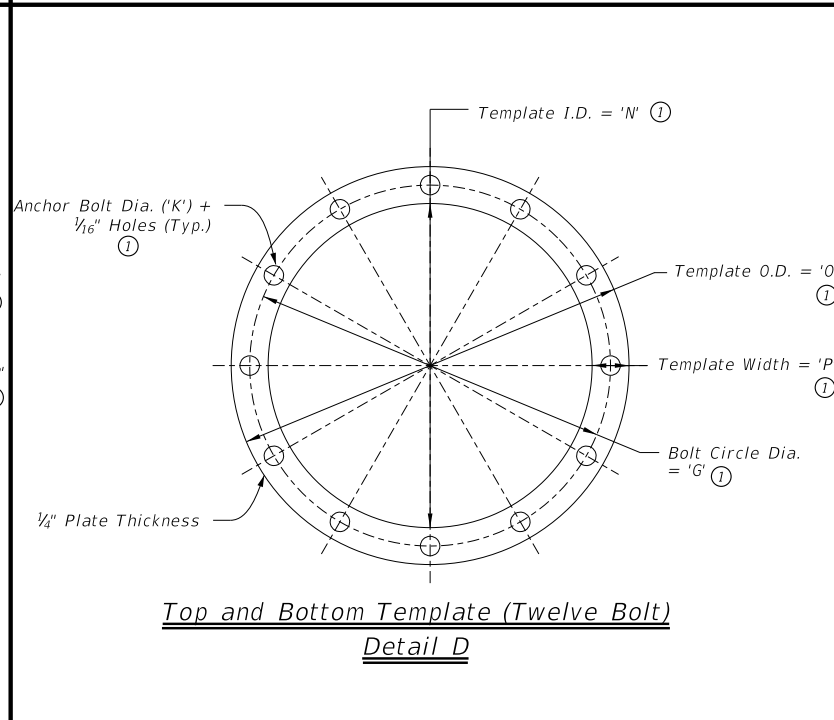
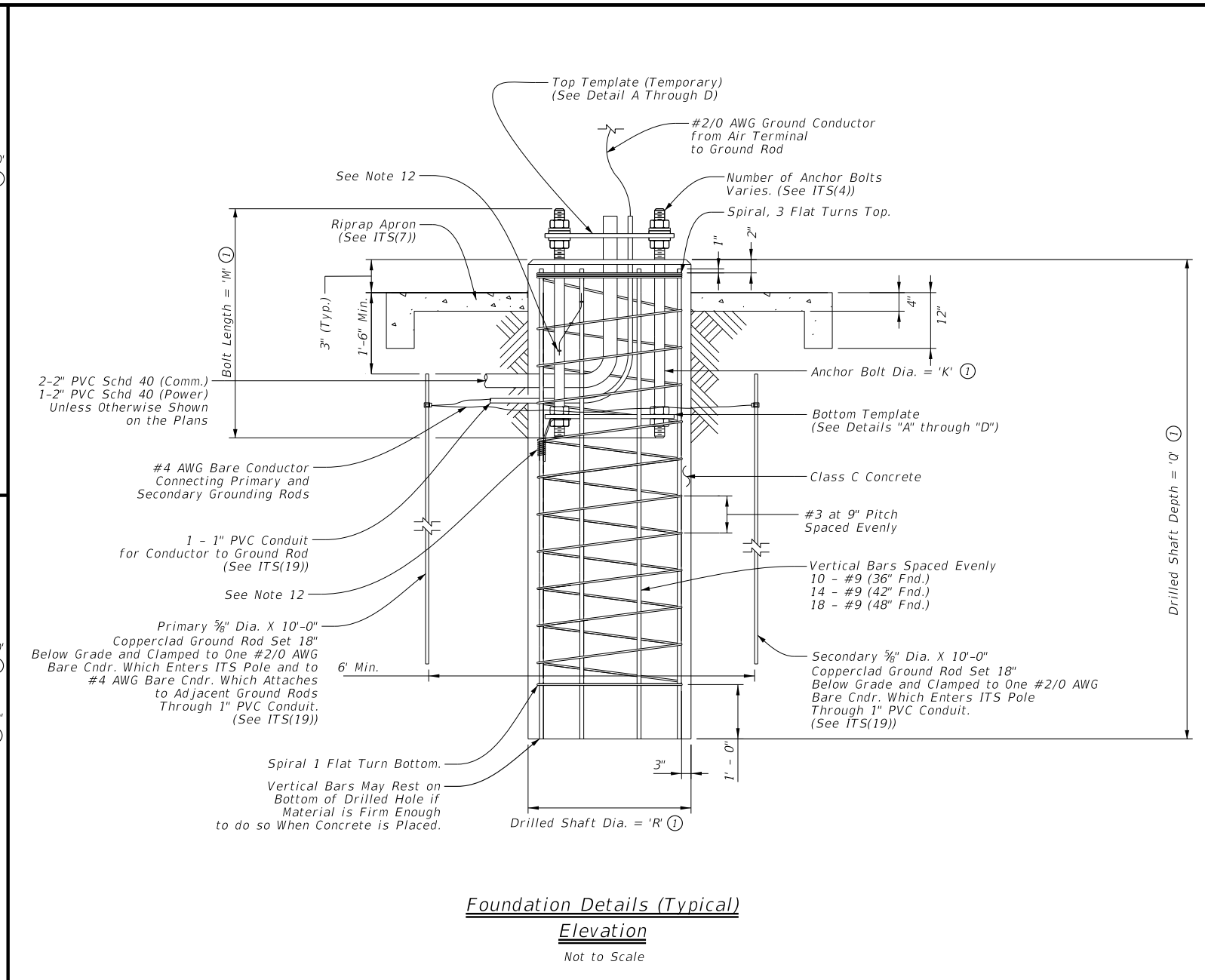
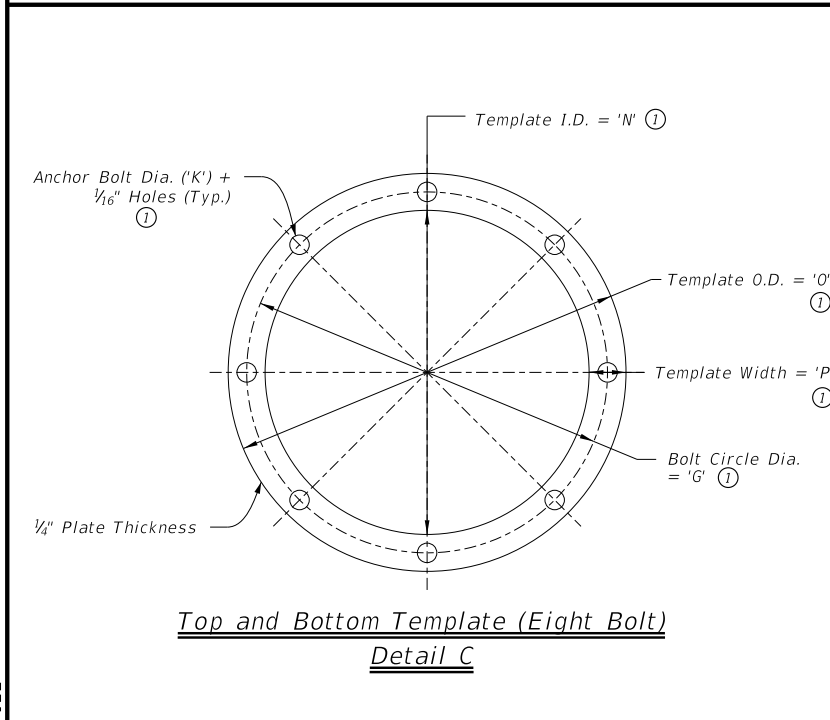
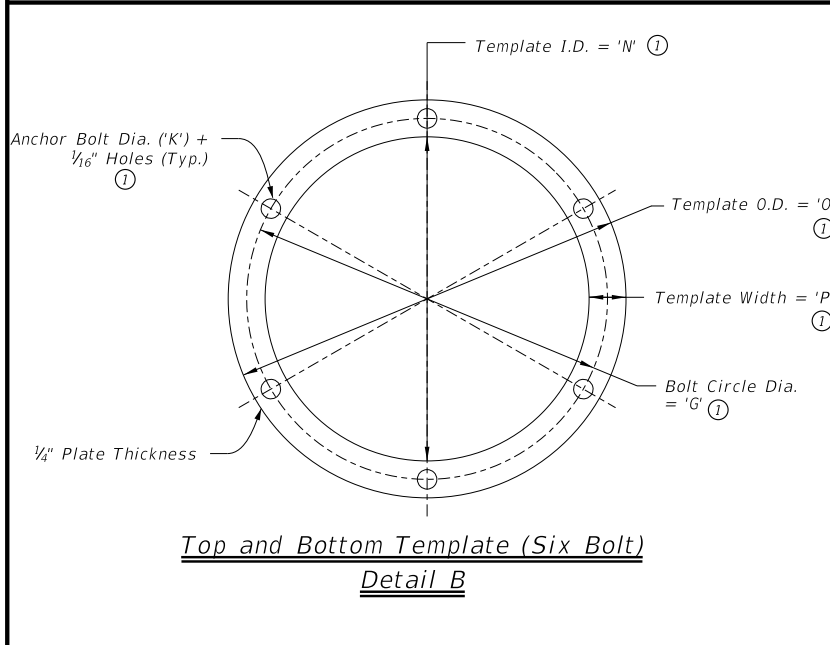
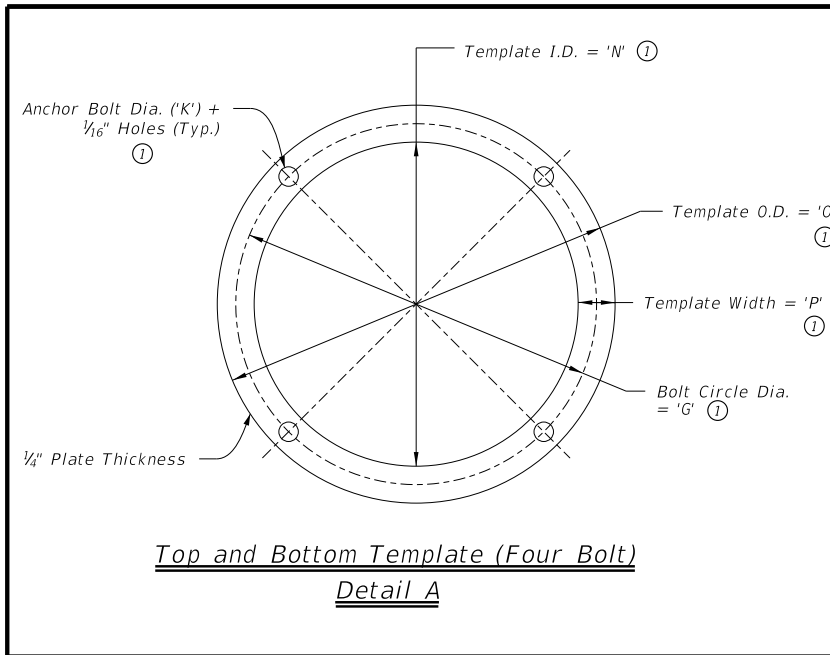


DISCLAIMER: The use of this standard is governed by the "Texas Engineering Practice Act". No warranty of any kind is made by TxDOT for any purpose whatsoever. TxDOT assumes no responsibility for the conversion of this standard to other formats or for incorrect results or damages resulting from its use.

DATE: FILE:



- General Notes:**
1. Drilled shaft concrete shall be Class "C" ( $f'c = 3,600$  PSI) in accordance with Item 416, "Drilled Shaft Foundations."
  2. Reinforcing bars shall be Grade 60 ( $F_y = 60$  KSI) and conform to ASTM A-615. All reinforcing shall conform to Item 440, "Reinforcing Steel."
  3. Provide ASTM A-36 steel for templates. Top and bottom templates need not be galvanized.
  4. Anchor bolts shall be rigidly held in position during concrete placement using steel templates at the top and bottom. Top templates shall remain in place until the concrete has cured in place beyond initial set time.
  5. Lubricate and tighten anchor bolts, when erecting pole, in accordance with Item 449, "Anchor Bolts."
  6. Anchor bolts shall conform to ASTM F1554 Grade 55, or ASTM A193 B7 with ASTM A194 Grade 2H or A563 heavy hex nuts with F436 washers. Galvanize a minimum of the top end thread length plus 6 inches for all anchor bolts unless otherwise noted. Exposed washers and exposed nuts shall be galvanized. All galvanizing shall be in accordance with Item 445, "Galvanizing."
  7. All vertical reinforcement shall be carried to the bottom of the drilled shaft.
  8. Place three flat turns of the spiral bar at the top and one flat turn at the bottom of the drilled shaft.
  9. Drilled shaft shall be measured by the linear foot and paid under Item 416, "Drill Shaft Foundations."
  10. If rock is encountered, the drilled shaft to extend a minimum of two diameters into solid rock.
  11. Location for conduit entering foundation may vary. Orient conduit entering foundation to coincide with location of ground boxes and primary ground rod.
  12. Bond anchor bolts to rebar with #2/0 AWG jumper and two mechanical connectors or by bending No. 3 bar on bottom template as shown and wire tightly with ten turns of No. 10 wire or one mechanical connector. Mechanical connectors shall be UL Listed for concrete encasement.

**Reference Notes:**

① See tables on Sheet ITS(4) for values of dimension variables.

**Texas Department of Transportation**  
Traffic Operations Division Standard

**ITS POLE FOUNDATION DETAILS**

**ITS(3) - 16**

FILE: its(3)-16.dgn	DN: TxDOT	CK: TxDOT	DW: TxDOT	CK: TxDOT
© TxDOT June 2015	CONT	SECT	JOB	HIGHWAY
April 2016	REVISIONS			
DIST	COUNTY	SHEET NO.		