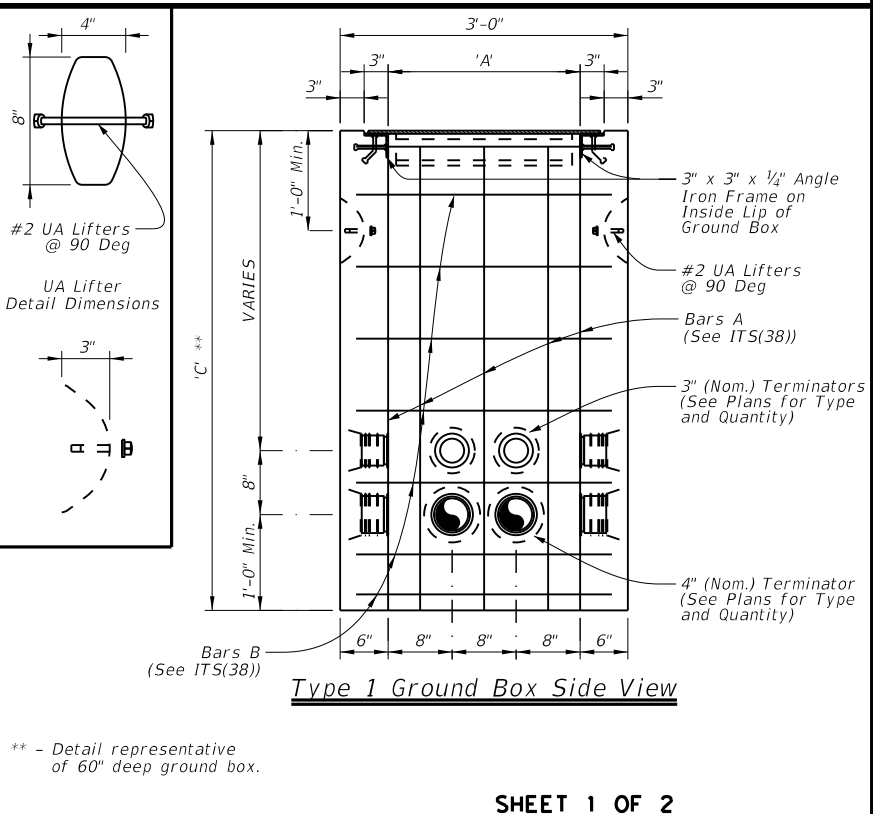
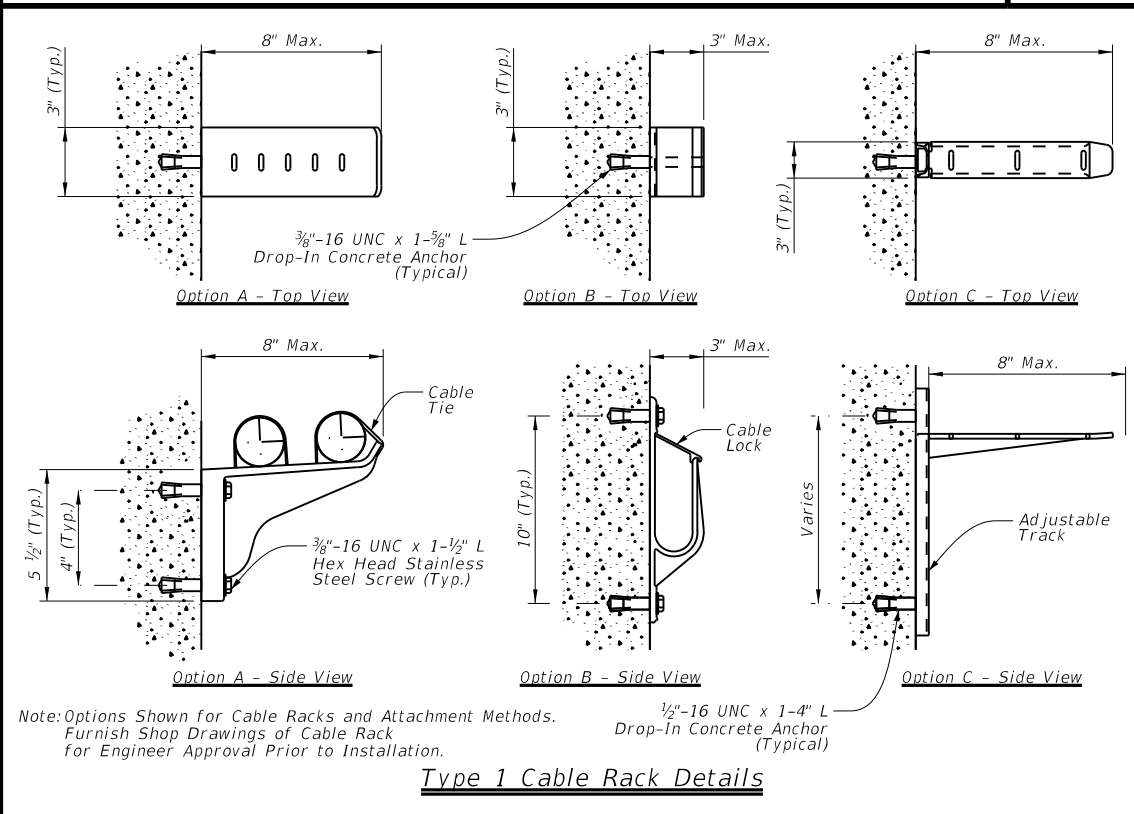
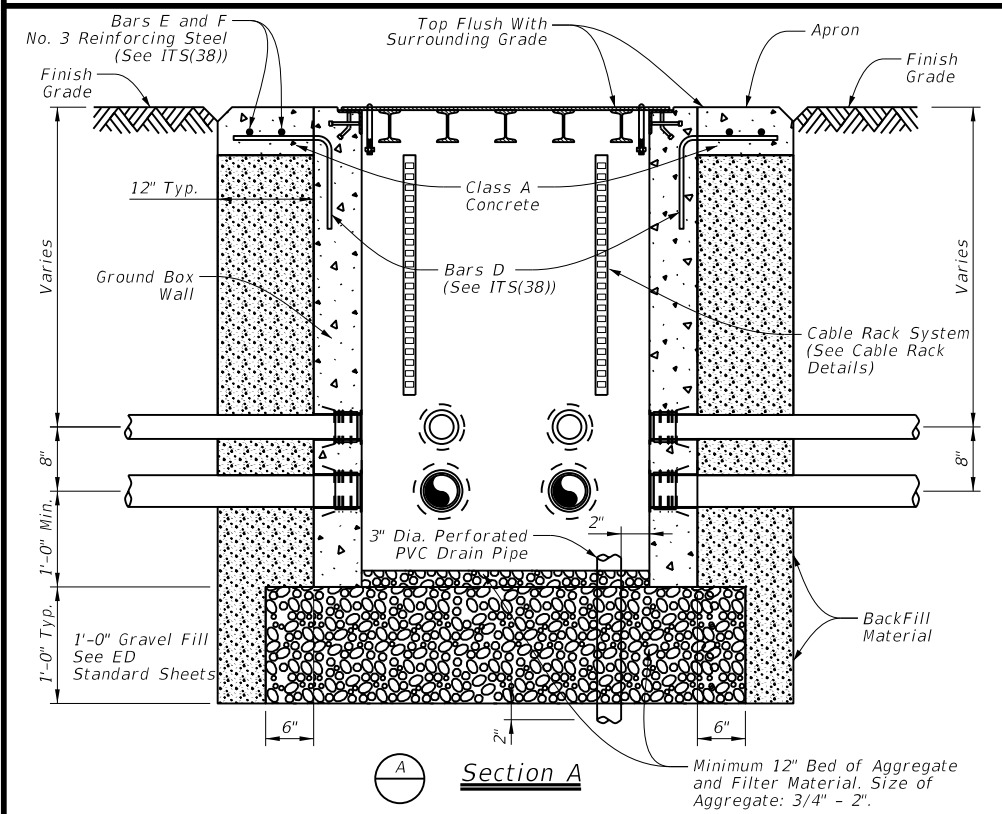
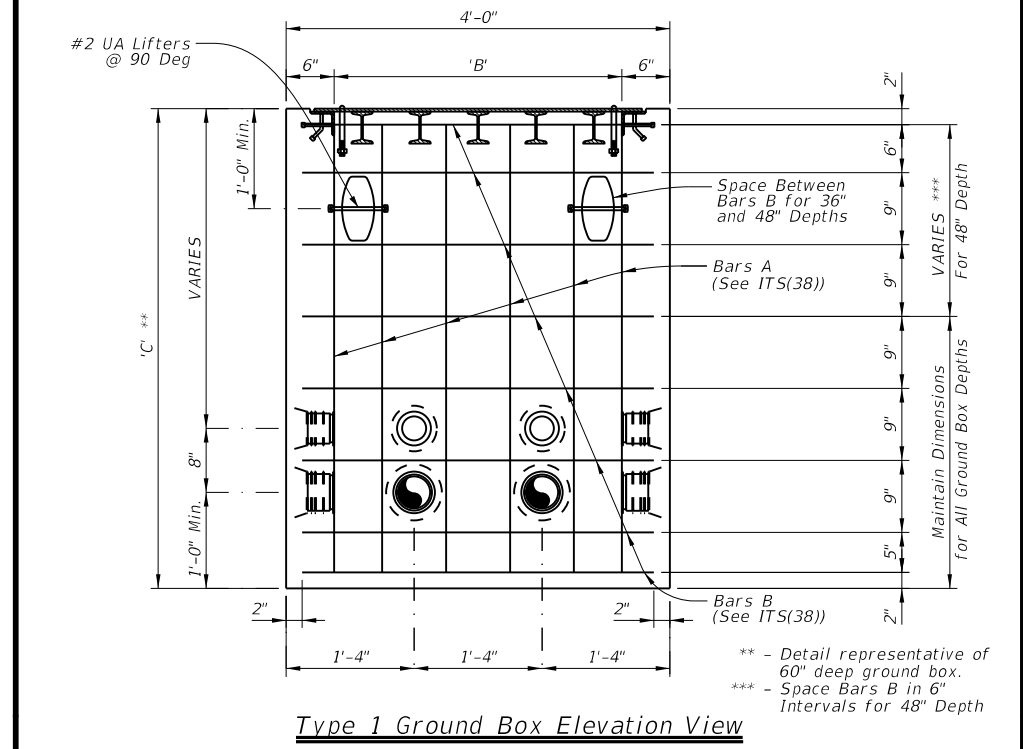
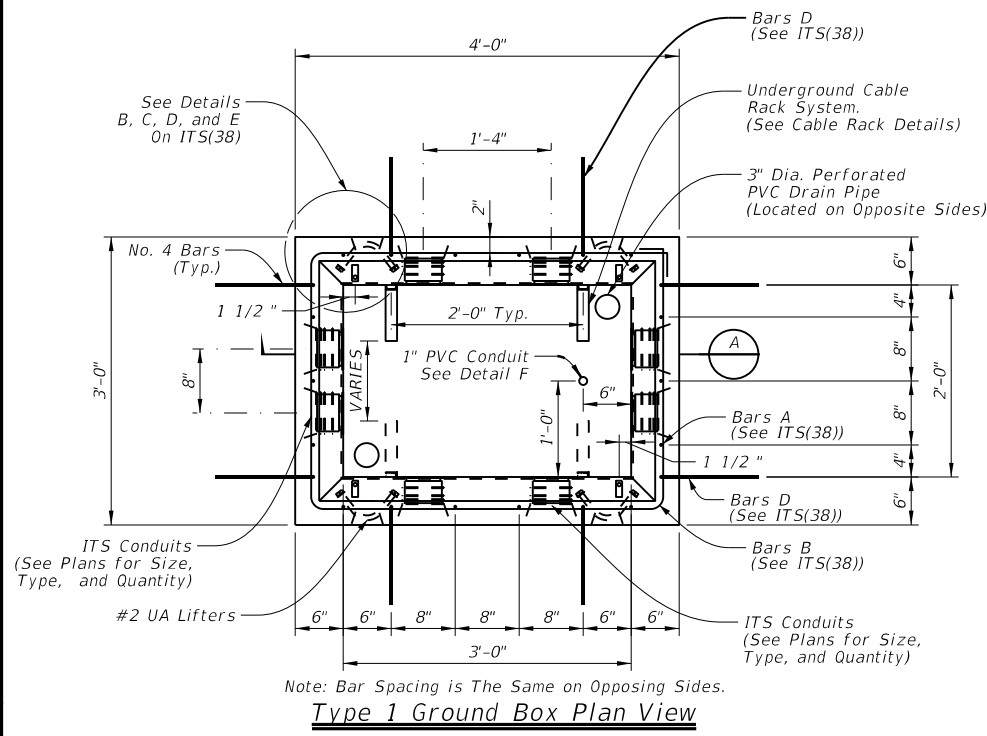
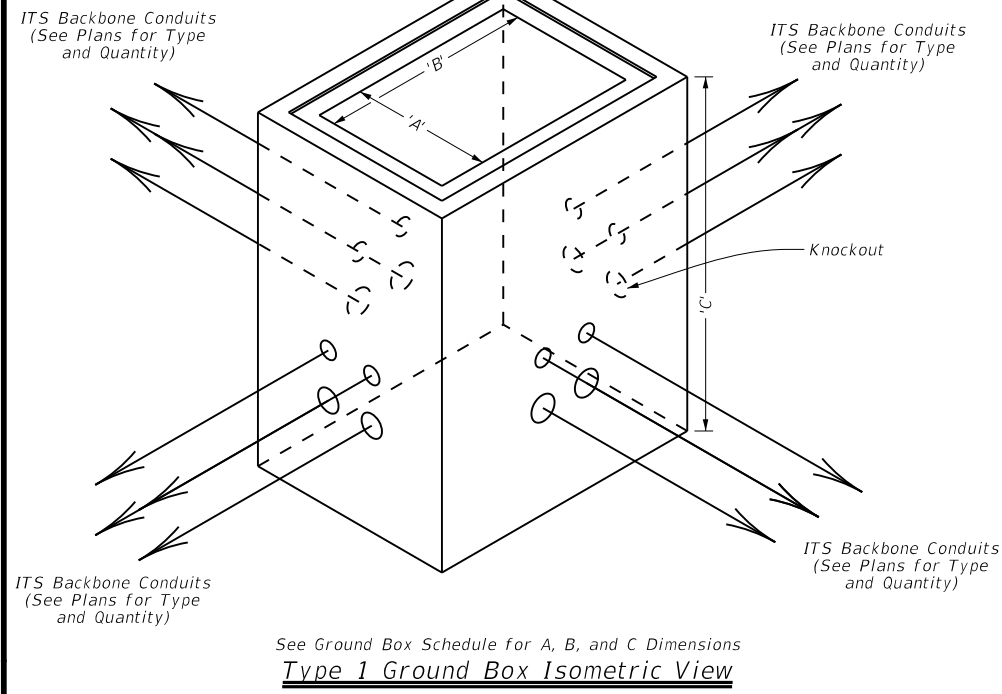


DISCLAIMER: The use of this standard is governed by the "Texas Engineering Practice Act". No warranty of any kind is made by TxDOT for any purpose whatsoever. TxDOT assumes no responsibility for the conversion of this standard to other formats or for incorrect results or damages resulting from its use.



- General Notes:**
1. Conduit entry points shown represent the standard configuration for backbone conduit as detailed on ITS(27). Additional conduits may be required as shown on the plans.
 2. Provide Class A concrete for Type "1" ground boxes.
 3. Provide terminators for the PVC conduit cast in the walls and placed symmetrically about the centerline of the box at the depths shown, unless otherwise noted, for the number of conduits identified on the plans to enter the box.
 4. Provide terminators appropriately sized for the conduits indicated on the plans. Provide terminators with an air tight and water tight connection.
 5. Closed bottom Type "1" ground boxes are acceptable in lieu of open bottom boxes. Provide two 3" Dia. perforated PVC drain pipes on opposite corners to optimize water drainage. Provide 12-inch bed of aggregate that extends 6 inches in all directions from the perimeter of the box for closed bottom boxes. Aggregate bed will be subsidiary to Special Specification, "ITS Ground Box."
 6. Install all open bottom Type "1" ground boxes on a 12-inch bed of aggregate that extends 6 inches in all directions from the perimeter of the box. Aggregate bed will be subsidiary to Special Specification, "ITS Ground Box."

7. Cap and seal terminators that do not have conduits attached.
8. When additional conduit entry points are needed to accommodate existing conduit, core drill conduit knockouts in the field of the appropriate number and size of conduit at each location, as directed by the Engineer.
9. Provide a bell fitting on the end of each conduit to ensure a flush fit inside the ground box.
10. Concrete grout around the knockout (inside and out) and around the conduit and bell fitting to ensure a neat watertight fit after the conduit and bell fitting have been placed in a knockout. Ensure all openings in the ground box are sealed prior to grouting operations.
11. Install a nylon string and plug all unused conduits with tug-plugs sized for the particular conduits. Provide split innerduct plugs in conduits or innerducts with cables to seal the innerduct around the cables to prevent water and dirt from entering.
12. Provide steel (ASTM A-153), glass reinforced nylon, or equivalent cable rack assemblies designed to support the amount of cable storage slack identified in the plans. Locate cable rack system on one side only (longer length side) to allow access to the inside of the ground box. Cable racks may be installed at the factory or in the field. When mounting cable racks in the field, seal all penetrations to the concrete side wall to prevent moisture penetration. Ground metallic cable rack systems inside ground box in accordance with the National Electrical Code.

Ground Box Schedule			
Ground Box Type	'A' Width Inside (Inches)	'B' Length Inside (Inches)	'C' Depth Inside (Inches)
Type 1	24	36	36, 48, 60

Sheet Details
Not to Scale

TEXAS Department of Transportation Traffic Safety Division Standard

ITS GROUND BOX DETAILS TYPE "1" WITH STEEL COVER

ITS(37)-22

FILE: its(37)-22.dgn DWN: TxDOT CK: TxDOT DW: TxDOT CK: TxDOT

© TxDOT October 2022 CONT SECT JOB HIGHWAY

REVISIONS

02-16			
10-22			

DIST COUNTY SHEET NO.

DATE: FILE: