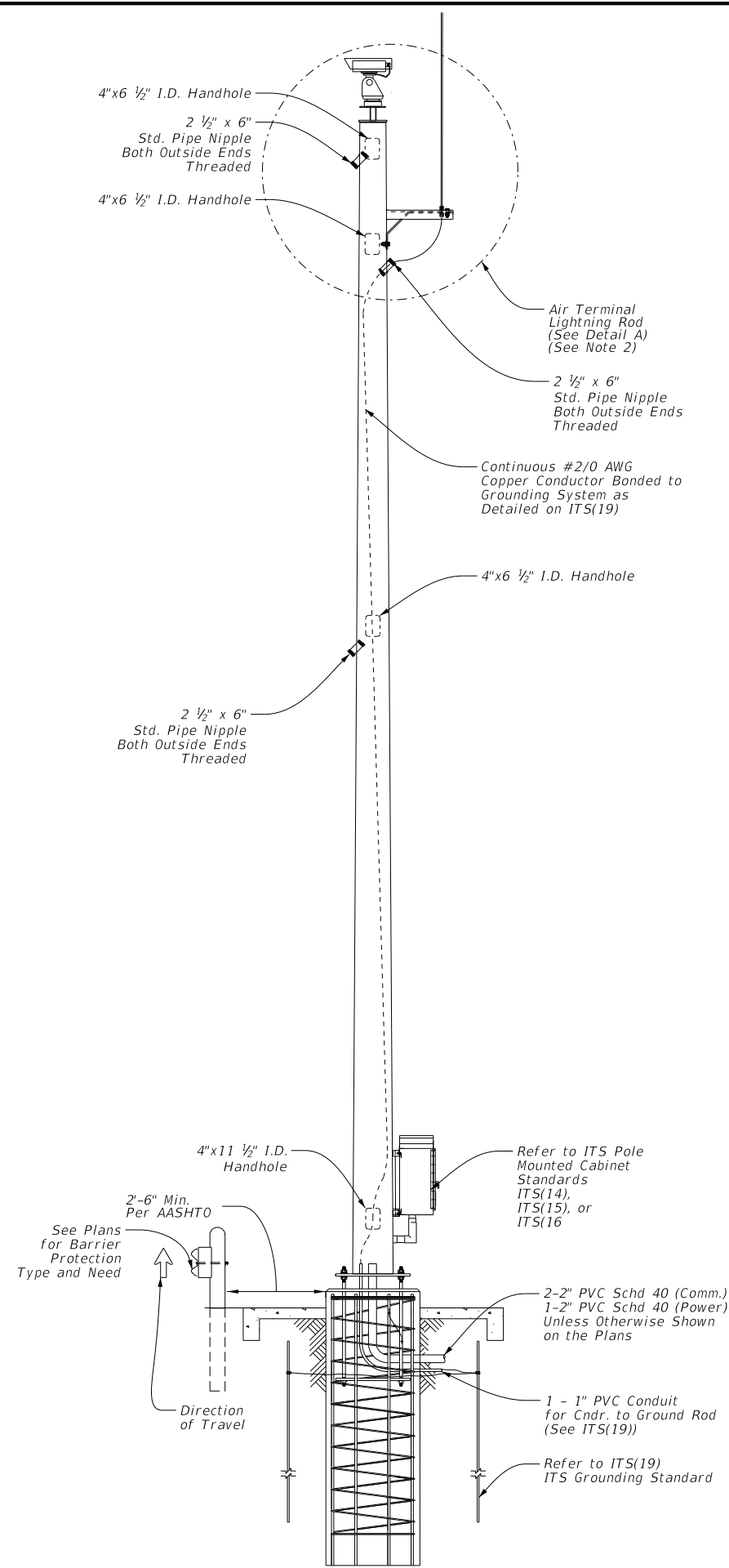
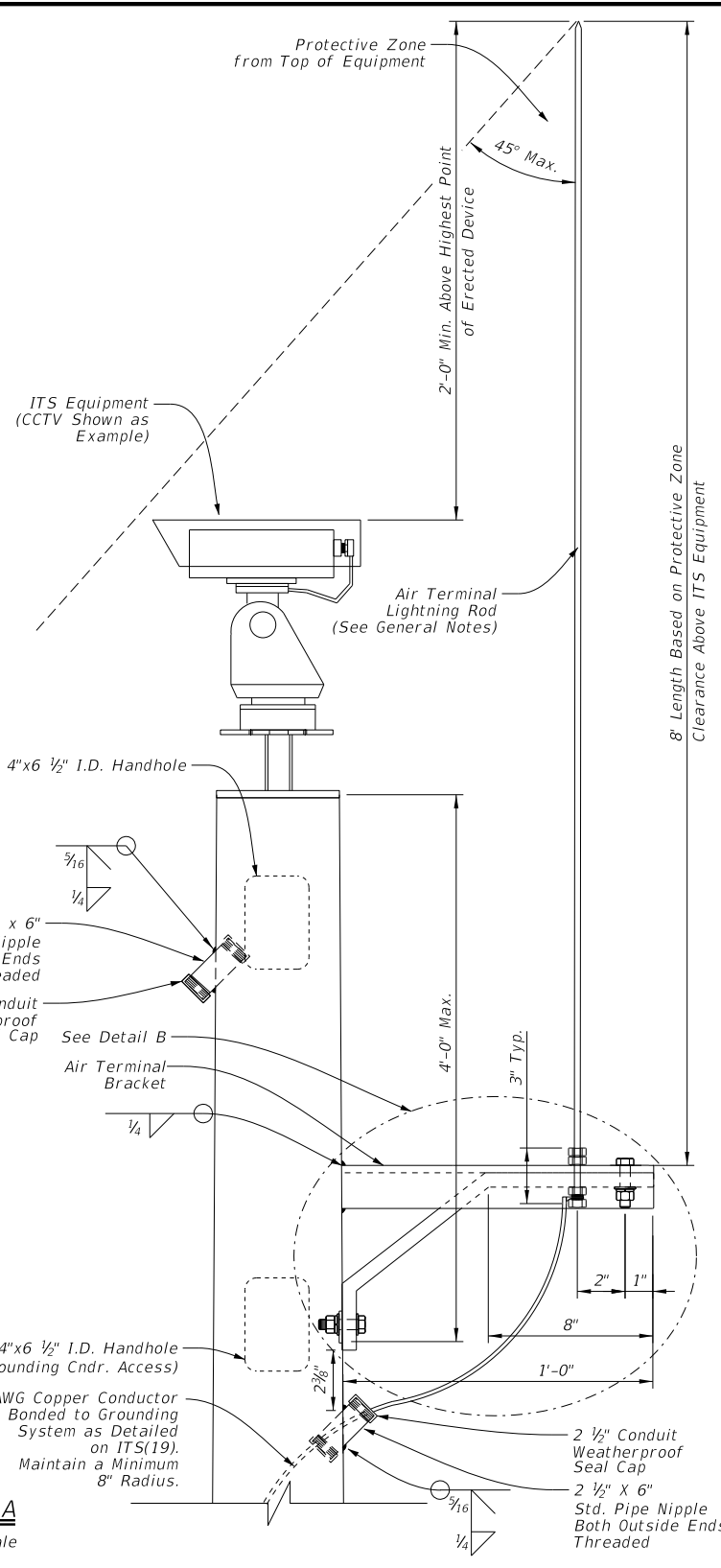


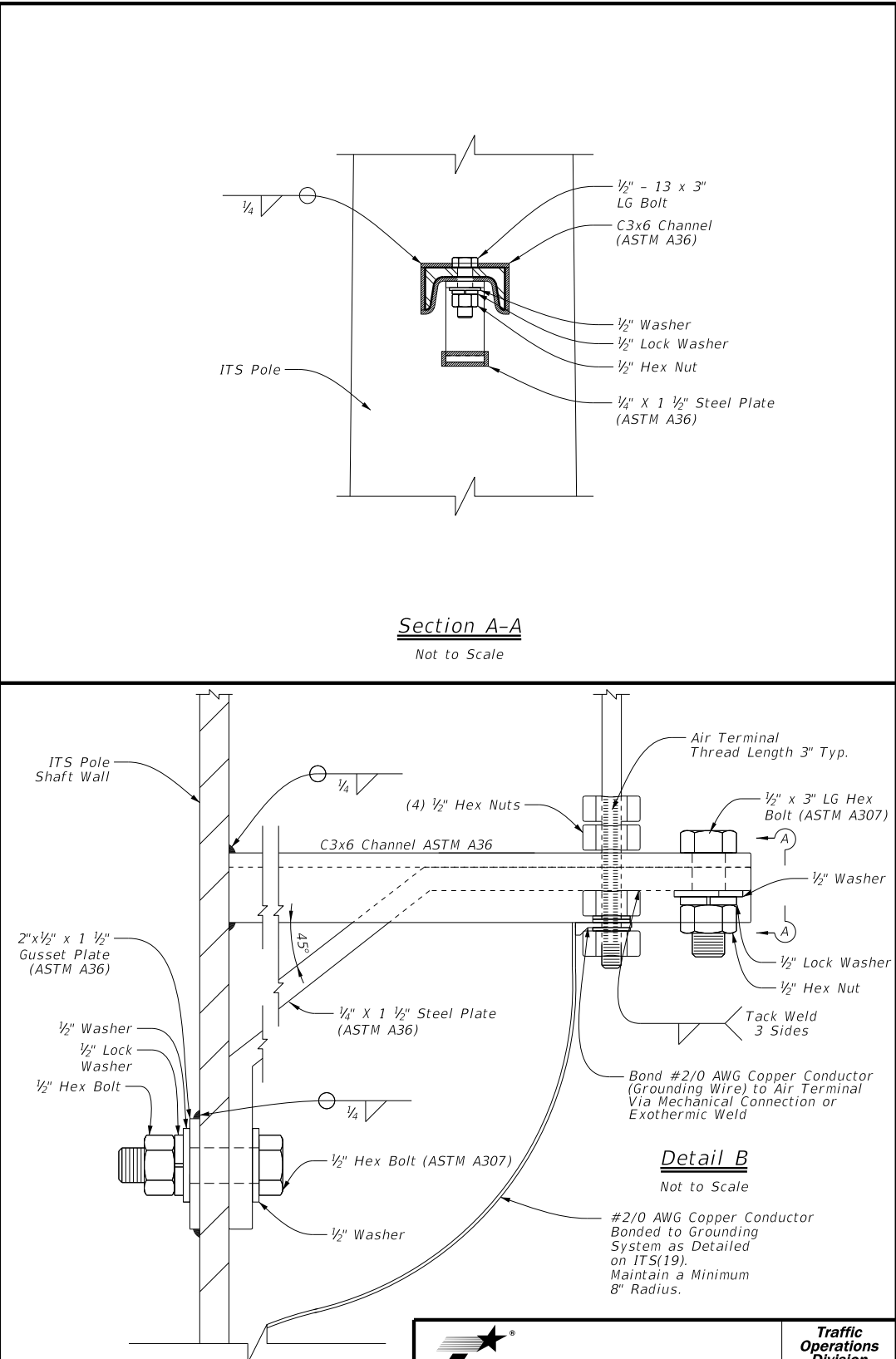
DISCLAIMER: The use of this standard is governed by the "Texas Engineering Practice Act". No warranty of any kind is made by TxDOT for any purpose whatsoever. TxDOT assumes no responsibility for the conversion of this standard to other formats or for incorrect results or damages resulting from its use.



ITS Pole with Cabinet



Detail A
Not to Scale



General Notes:

- Provide lightning protection using air terminals on structures utilizing the rolling sphere method. Provide lightning protection system consisting of air terminals, down conductor, and grounding system installed in accordance with NFPA 780 and tested in accordance with IEEE 142. Meet the following requirements:
 - A. Position - in center of least utilized field of view.
 - B. Height - camera equipment to be within 45 degree protective zone of air terminal.
 - C. Material - 1/2" ETP alloy 110 copper air terminal (Class II)
 - D. Clearance - 24" minimum height above highest point of ITS equipment.
 - E. Bonding - attach air terminal to bracket by exothermic weld or with approved clamping.
 - F. Structure wind rating in accordance with TxDOT WV & IZ (LTS2013).
 - G. Galvanize air terminal bracket in accordance with Item 445, "Galvanizing."
- Alternative orientation for air terminal and pole mounted cabinet due to project specific needs to be indicated on the plans and detailed in shop drawing submittal for approval.
- Weld air terminal bracket to ITS pole in accordance with Item 448 "Structural Field Welding." Bracket may be welded by the fabricator in the shop prior to delivery. A bolted connection for the air terminal bracket is acceptable in lieu of a welded connection with approval by the Engineer and detailed in the shop drawings.

ITS POLE
AIR TERMINAL DETAILS

ITS(5) - 15

FILE: its(5)-15.dgn	DN: TxDOT	CK: TxDOT	DW: TxDOT	CK: TxDOT
© TxDOT June 2015	CONT	SECT	JOB	HIGHWAY
REVISIONS				
DIST	COUNTY		SHEET NO.	