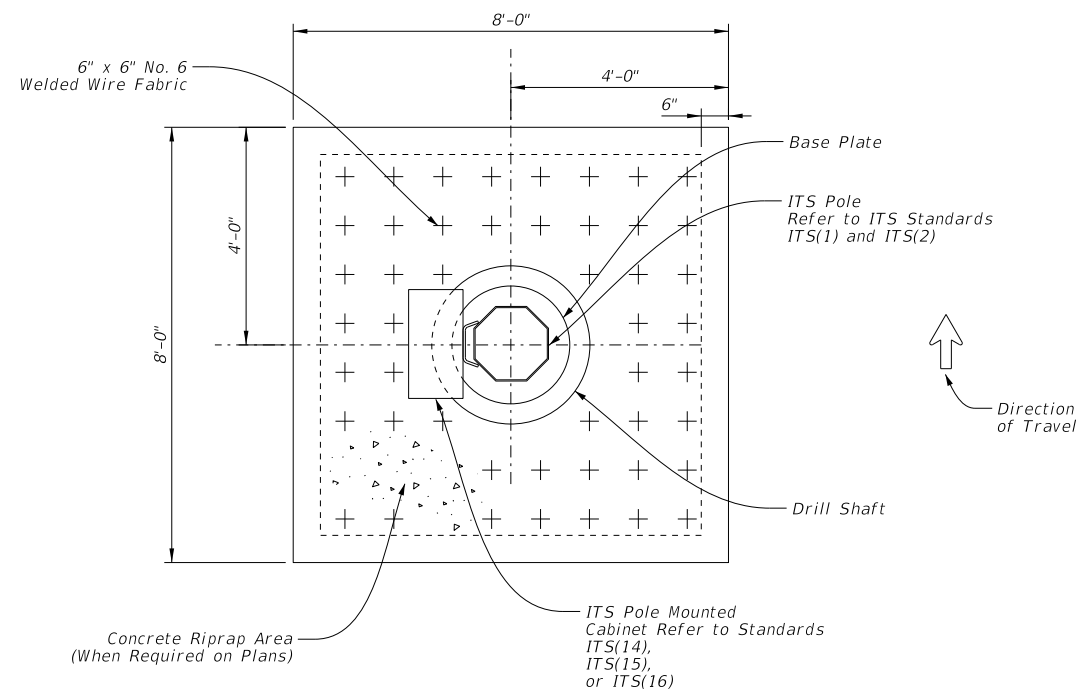
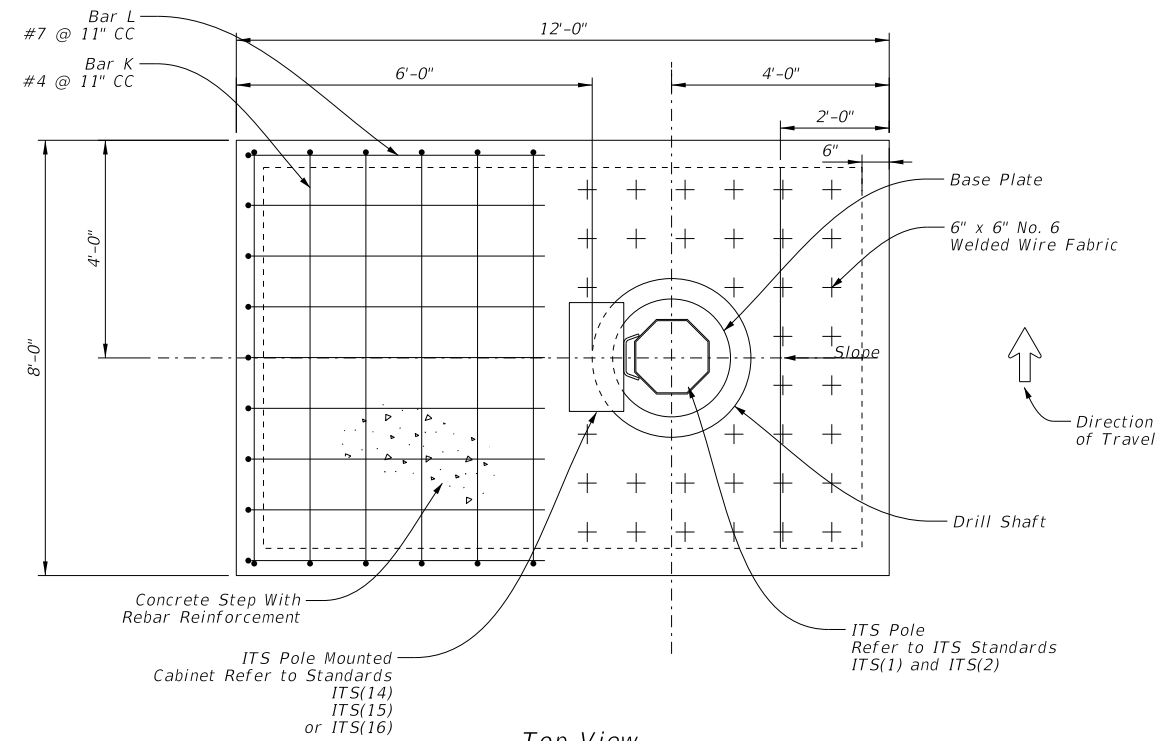


DISCLAIMER: The use of this standard is governed by the "Texas Engineering Practice Act". No warranty of any kind is made by TxDOT for any purpose whatsoever. TxDOT assumes no responsibility for the conversion of this standard to other formats or for incorrect results or damages resulting from its use.

DATE: FILE:



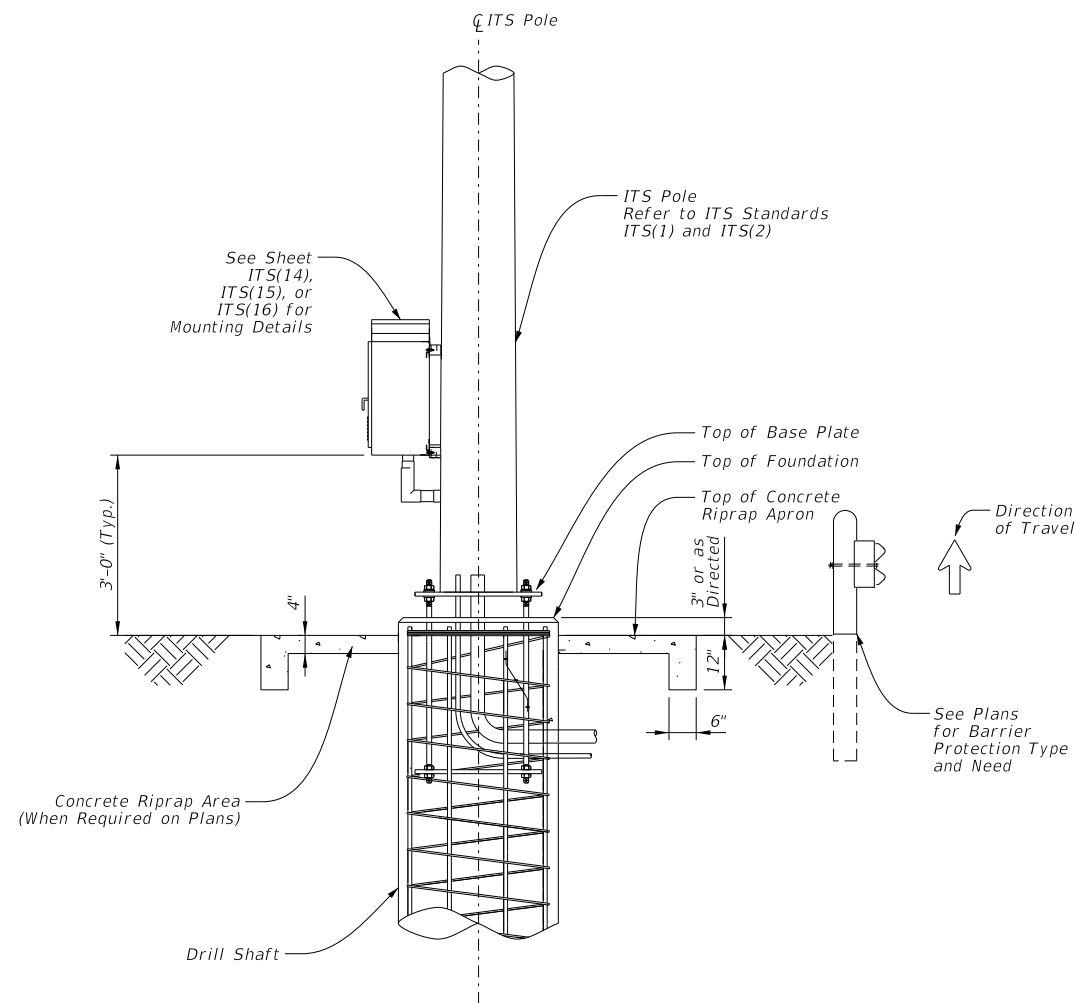
Top View
Riprap - Non-Sloped Conditions



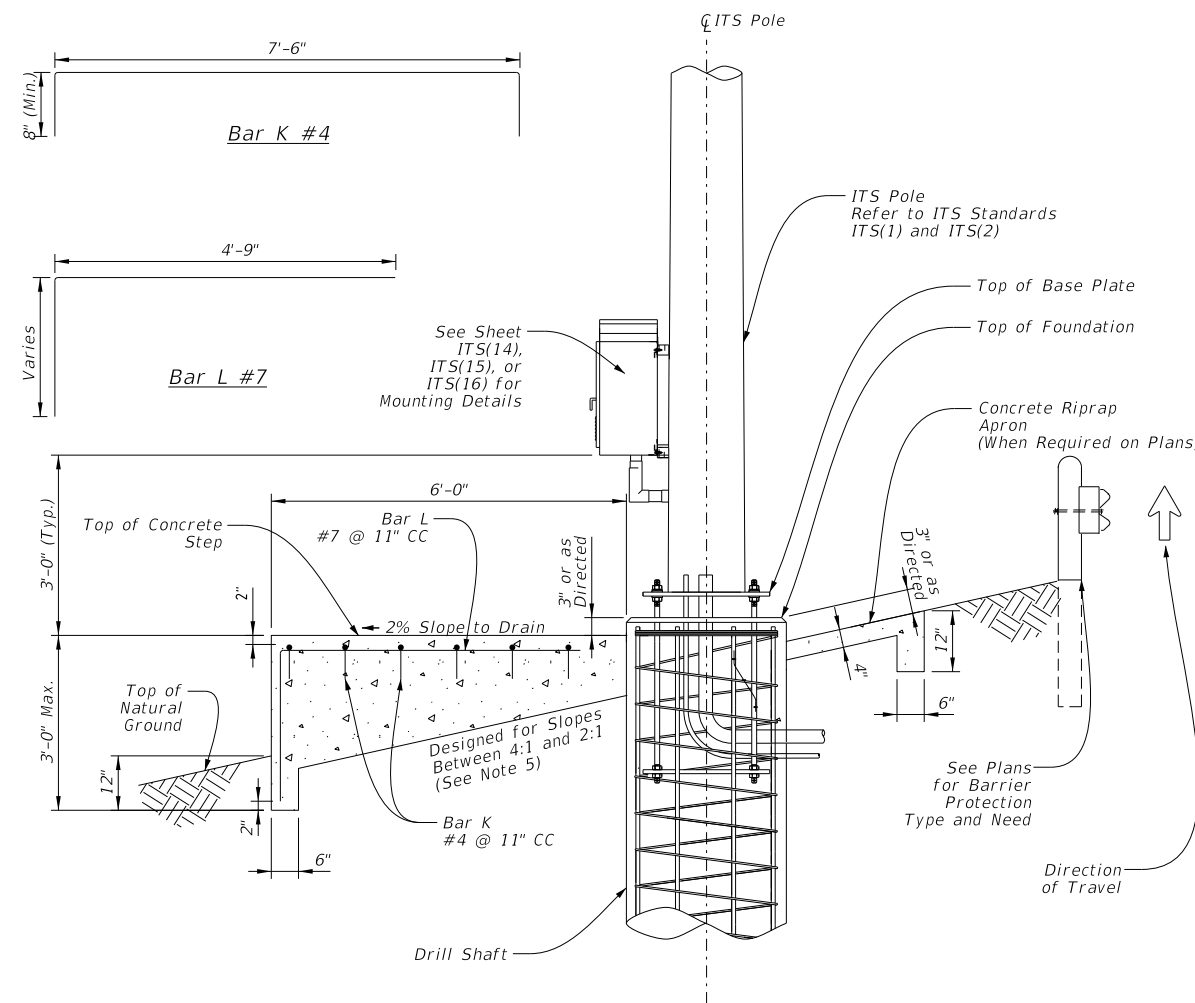
Top View
Step and Riprap - Sloped Conditions

General Notes:

1. For non-sloped grassy areas, an 8' x 8' concrete riprap apron shall be poured around ITS pole foundations (see detail on this sheet), estimated at 1.25 CY per site, paid for under Item 432 "Riprap."
2. For sloped grassy areas, a concrete "step" (for maintenance personnel to access cabinet) shall be poured as part of the riprap apron. The step shall vary in height depending on slope, but shall extend 6' horizontally from ITS pole drilled shaft foundation and be the same width as riprap apron (8'). Step shall be poured at same time as riprap apron (see detail on this sheet). Any additional concrete necessary to fabricate step (over and above the 1.25 CY) shall be considered subsidiary to the various bid items and no direct payment shall be made.
3. For sloped areas where riprap exists, a 6' (horizontal from drilled shaft foundation) x 4' wide step shall be installed (see detail this sheet). Concrete for step shall be considered subsidiary to the various bid items and no direct payment shall be made.
4. Cabinet orientation may vary depending on field conditions or project constraints. Accommodate configuration of platform according to cabinet orientation.
5. Slopes greater than a 2:1 or when 3'-0" Max. step wall height is exceeded, an alternative design with safety railing is required and shall be detailed in the shop drawings for approval.



Elevation View
Riprap Apron Detail - Non-Sloped Conditions



Elevation View
Riprap Apron/Step Detail - Sloped Conditions
(Slopes Exceeding 4:1)



**ITS POLE
RIPRAP DETAILS**

ITS(7) - 15

FILE: its(7)-15.dgn	DN: TxDOT	CK: TxDOT	DW: TxDOT	CK: TxDOT
© TxDOT June 2015	CONT	SECT	JOB	HIGHWAY
REVISIONS				
	DIST	COUNTY	SHEET NO.	