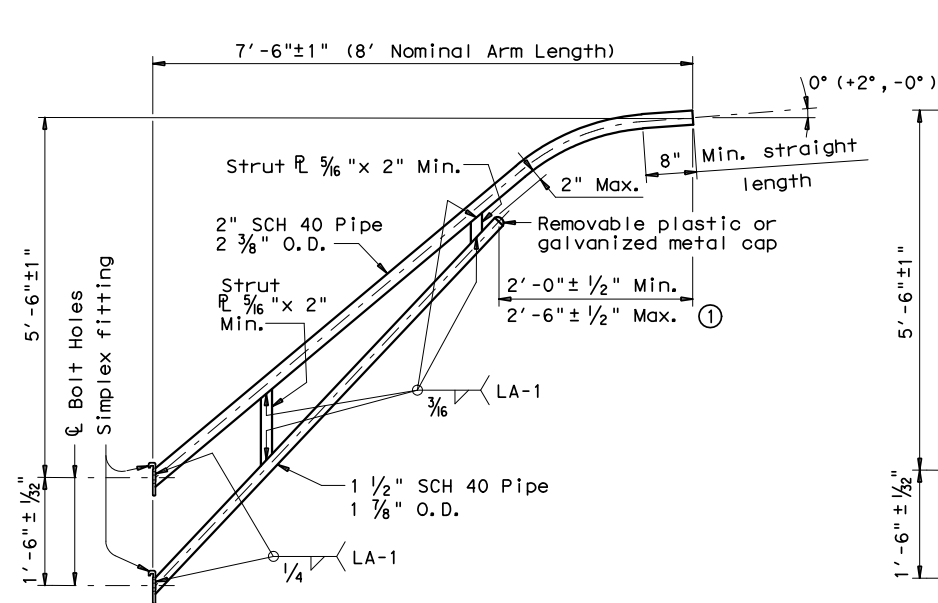
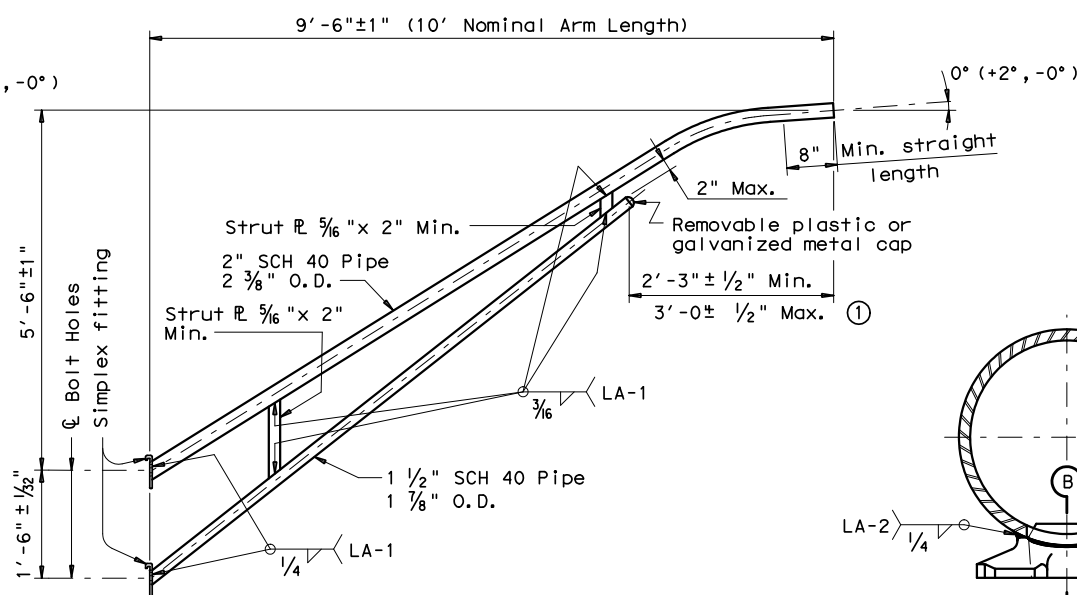


DISCLAIMER: The use of this standard is governed by the "Texas Engineering Practice Act". No warranty of any kind is made by TxDOT for any purpose whatsoever. TxDOT assumes no responsibility for the conversion of this standard to other formats or for incorrect results or damages resulting from its use.

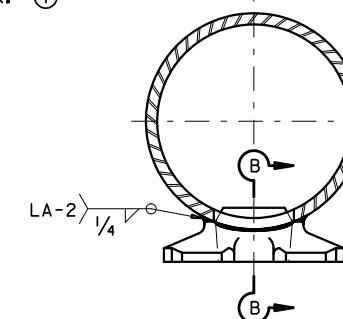
DATE:  
FILE:



8-FOOT LUMINAIRE ARM



10-FOOT LUMINAIRE ARM



DIRECT ATTACHMENT DETAIL

MATERIALS	
Pole or Arm Simplex	ASTM A27 Gr. 65-35 or A148 Gr. 80-50, A576 Gr. 1021 (3), or A36 (Arm only)
Arm Pipes	ASTM A53 Gr. B, A501, A1008 HSLAS-F Gr. 50 (4), or A1011 HSLAS-F Gr. 50 (4)
Arm Strut Plates (2)	ASTM A36, A572 Gr. 50 (4), or A588
Misc.	ASTM designations as noted

- ① Dimensional limits are given to show acceptable variation in design. All of a Fabricator's production of a particular arm length shall have the same dimensions within specified tolerances.
- ② Any of the materials listed for plates may be used where the drawings do not specify a particular ASTM designation.
- ③ A576 must be suitable for forging and also meet minimum tensile strength of 65 ksi, minimum yield of 35 ksi, and elongation in 2 inches of 22 percent.
- ④ ASTM A572, A1008 HSLAS-F, and A1011 HSLAS-F may have higher yield strengths but shall not have less elongation than the grade indicated.

GENERAL NOTES:

Design conforms to 1994 AASHTO Standard Specifications for Structural Supports for Highway Signs, Luminaires, and Traffic Signals and Interim Revisions thereto. Design Wind Speed equals 90 mph plus a 1.3 gust factor. Arms are designed to support a 60 lb. luminaire having an effective projected area (actual area times drag coefficient) of 1.6 sq. ft.

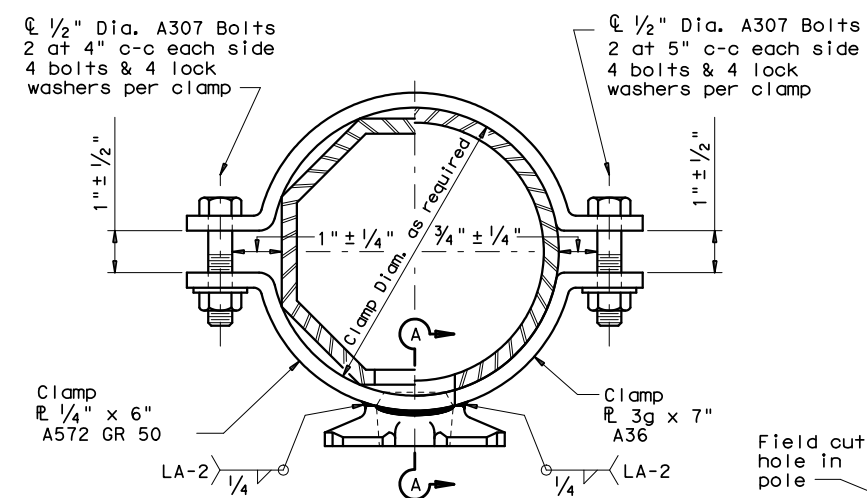
Materials and fabrication shall be in accordance with Item 686, "Traffic Signal Pole Assemblies (Steel)" and with the details, dimensions, and weld procedures shown herein. Weld references call for preapproved weld procedures which the Fabricator must obtain prior to fabrication. In the absence of specified Fabricator tolerances, dimensions shall be within the tolerances generally obtainable in normal fabrication practice.

Unless otherwise noted, all parts shall be galvanized after fabrication in accordance with Item 445, "Galvanizing".

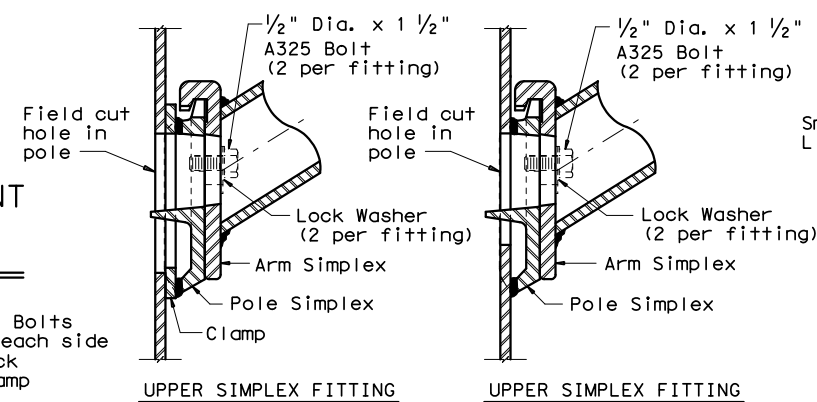
Deviation from the details and dimensions shown herein require submission of shop drawings in accordance with Item 441, "Steel Structures". Alternate designs are not acceptable.

Each pole simplex fitting shall be supplied with 2 ASTM A325 bolts and 2 lock washers of the size specified. The bolts and lock washers shall be secured to the pole with the other hardware items called for in the plans. When clamp attachment is specified, the Fabricator shall ship the clamp assembly securely attached to the pole at the location shown on the plans.

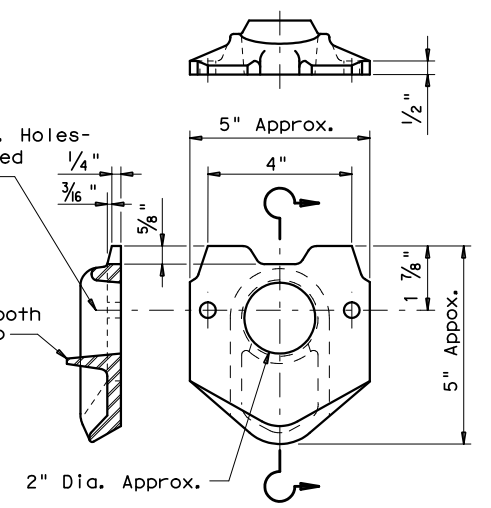
If clamp assemblies are ordered without poles, the Fabricator shall ship one upper and one lower clamp assembly together in a single package, including all nuts and washers required for the clamps and simplex fittings.



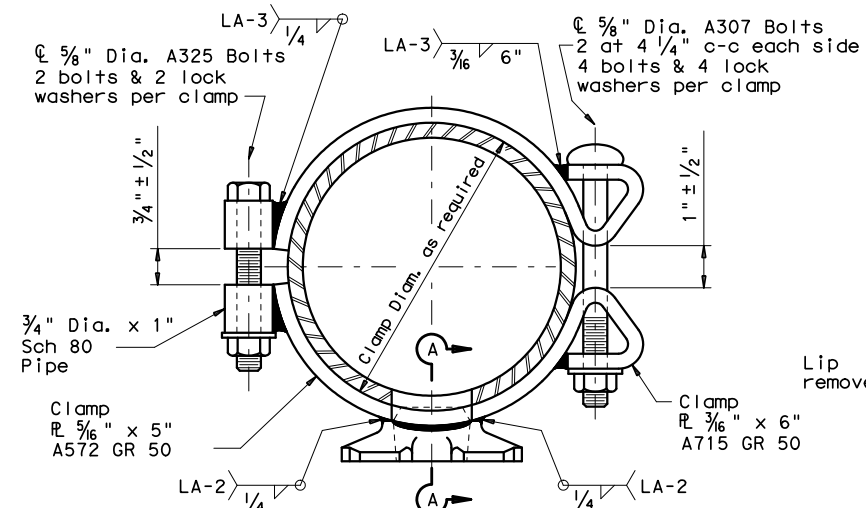
CLAMP ATTACHMENT DETAIL NO. 1 (HALF SECTION) CLAMP ATTACHMENT DETAIL NO. 2 (HALF SECTION)



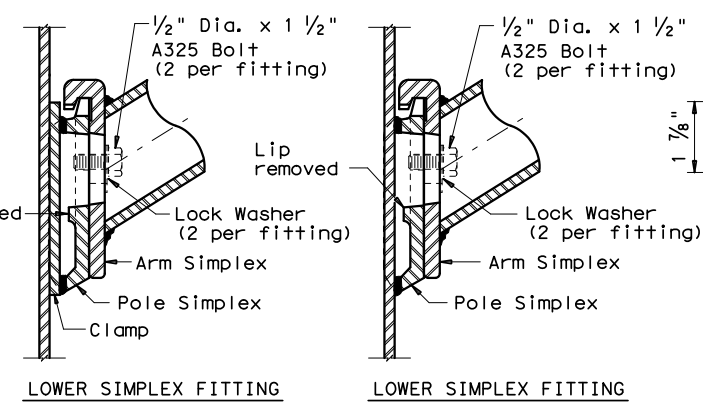
UPPER SIMPLEX FITTING LOWER SIMPLEX FITTING



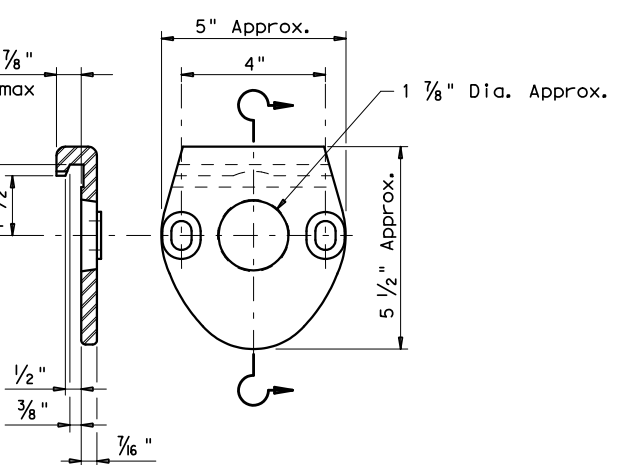
POLE SIMPLEX DETAIL



CLAMP ATTACHMENT DETAIL NO. 3 (HALF SECTION) CLAMP ATTACHMENT DETAIL NO. 4 (HALF SECTION)



SECTION A-A SECTION B-B



ARM SIMPLEX DETAIL

Texas Department of Transportation  
Traffic Operations Division  
**STANDARD ASSEMBLY DRAWINGS FOR LUMINAIRE SUPPORT STRUCTURES**  
ARM DETAILS  
**LUM-A-12**

© TxDOT August 1995	DN: LEH	CK: JSY	DW: LTT	CK: TEB
5-96	REVISIONS	CONT	SECT	JOB
1-99				HIGHWAY
1-12		DIST	COUNTY	SHEET NO.