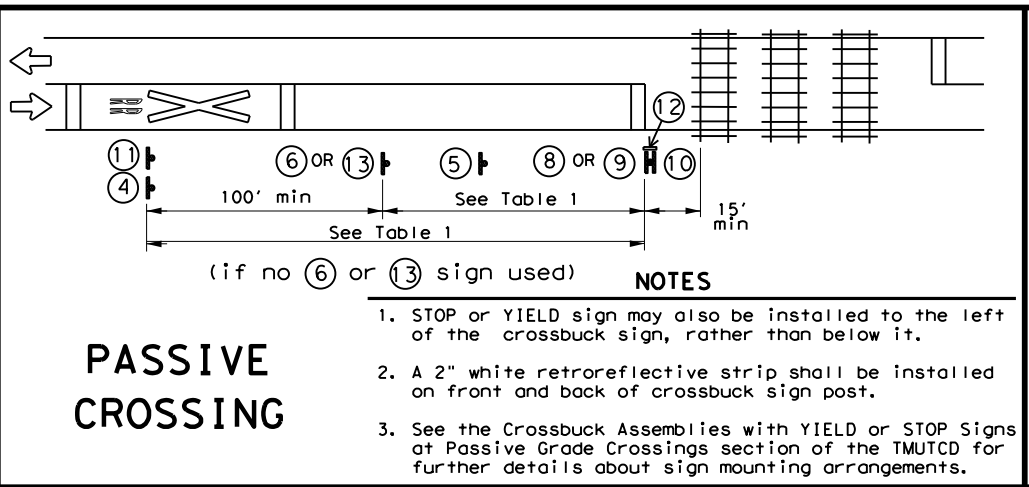


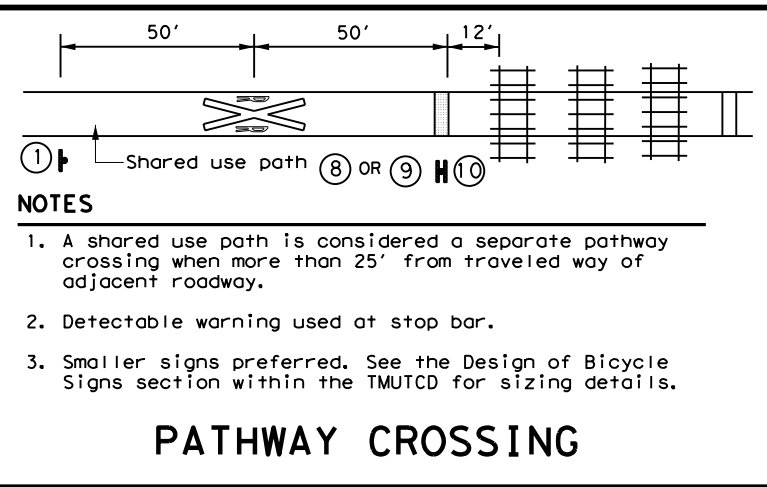
DISCLAIMER: The use of this standard is governed by the "Texas Engineering Practice Act". No warranty of any kind is made by TxDOT for any purpose whatsoever. TxDOT assumes no responsibility for the conversion of this standard to other formats or for incorrect results or damages resulting from its use.

DATE: FILE:



### PASSIVE CROSSING

- NOTES**
1. STOP or YIELD sign may also be installed to the left of the crossbuck sign, rather than below it.
  2. A 2" white retroreflective strip shall be installed on front and back of crossbuck sign post.
  3. See the Crossbuck Assemblies with YIELD or STOP Signs at Passive Grade Crossings section of the TMUTCD for further details about sign mounting arrangements.

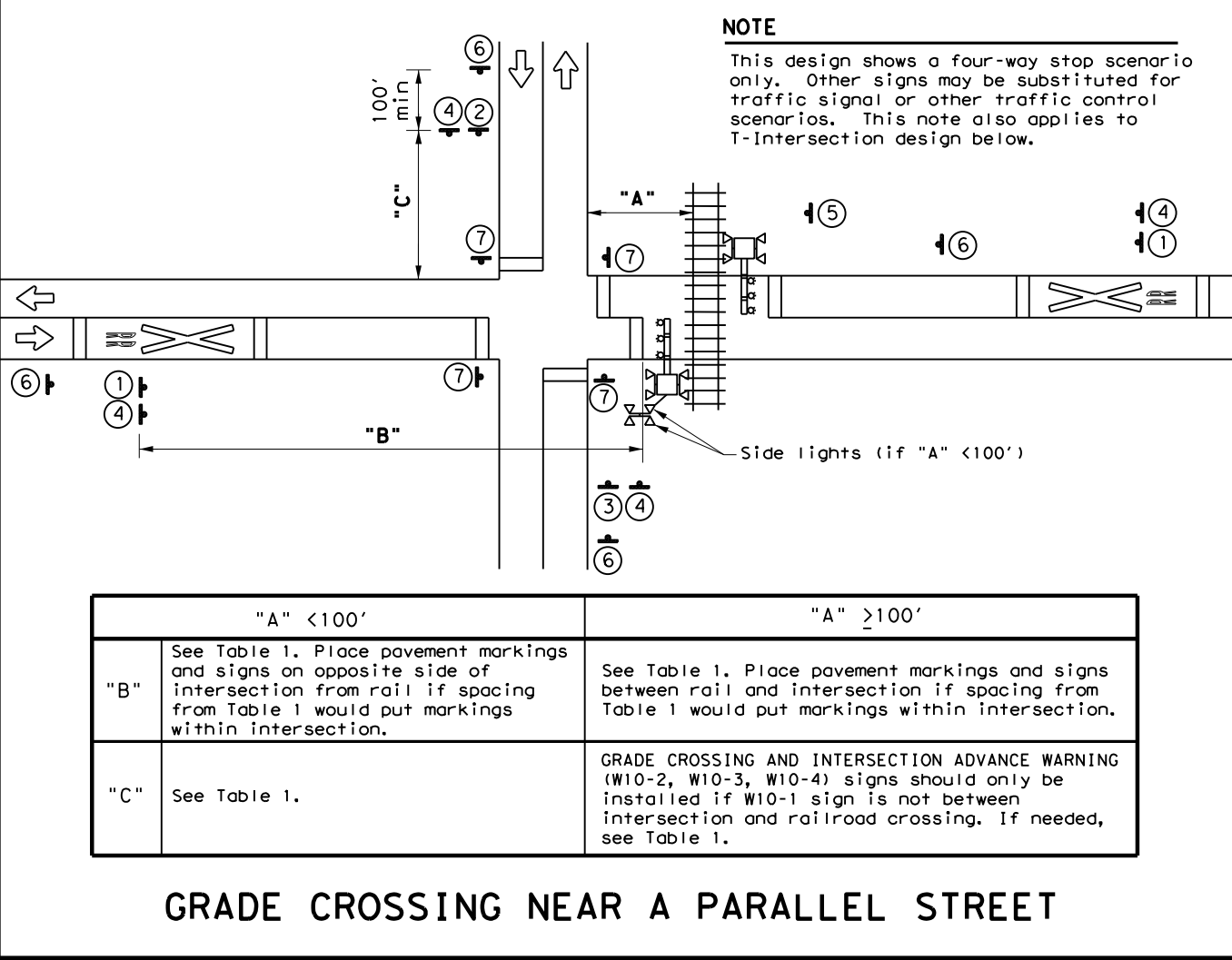


### PATHWAY CROSSING

- NOTES**
1. A shared use path is considered a separate pathway crossing when more than 25' from traveled way of adjacent roadway.
  2. Detectable warning used at stop bar.
  3. Smaller signs preferred. See the Design of Bicycle Signs section within the TMUTCD for sizing details.

Approach Speed (mph)	Desirable Placement (feet)
20	100
25	100
30	100
35	100
40	125
45	175
50	250
55	325
60	400
65	475
70	550
75	650

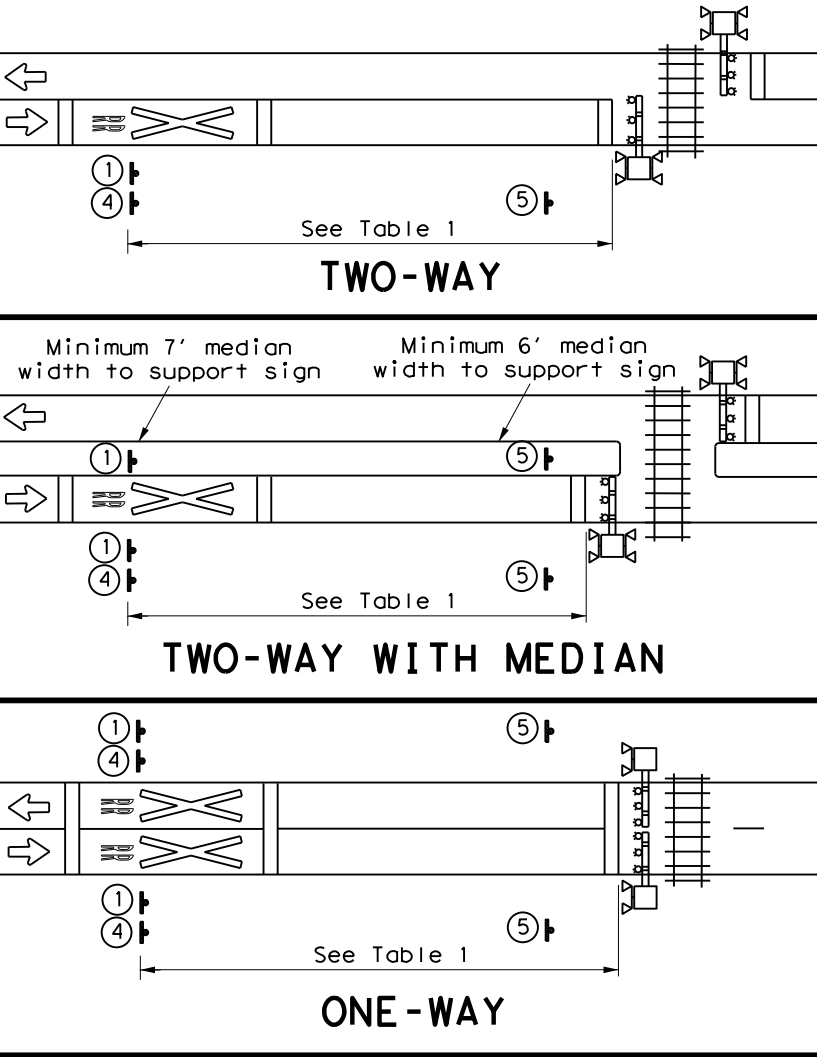
- GENERAL NOTES**
1. Railroad company to provide active traffic control devices, CROSSBUCK (R15-1), NUMBER OF TRACKS (R15-2P) plaque (if more than 1 track), and EMERGENCY NOTIFICATION (I-13) signs.
  2. LOW GROUND CLEARANCE (W10-5) signs may be relocated further upstream of crossing to provide advance warning of alternate route.
  3. GRADE CROSSING AND INTERSECTION ADVANCE WARNING (W10-2) signs may be modified as needed to fit roadway geometry.
  4. Table 1 placement distances may vary per the Placement of Warning Signs section of the TMUTCD.
  5. See Table 1 to determine placement of STOP AHEAD (W3-1) and YIELD AHEAD (W3-2) signs unless shown otherwise.
  6. DO NOT STOP ON TRACKS (R8-8) signs installed when potential for vehicles stopping on tracks is significant as determined by sealing engineer. Install so sign does not block view of RR mast.
  7. See the Standard Highway Sign Design for Texas (SHSD) manual for sign and pavement marking details.



**NOTE**  
 This design shows a four-way stop scenario only. Other signs may be substituted for traffic signal or other traffic control scenarios. This note also applies to T-intersection design below.

	"A" < 100'	"A" ≥ 100'
"B"	See Table 1. Place pavement markings and signs on opposite side of intersection from rail if spacing from Table 1 would put markings within intersection.	See Table 1. Place pavement markings and signs between rail and intersection if spacing from Table 1 would put markings within intersection.
"C"	See Table 1.	GRADE CROSSING AND INTERSECTION ADVANCE WARNING (W10-2, W10-3, W10-4) signs should only be installed if W10-1 sign is not between intersection and railroad crossing. If needed, see Table 1.

### GRADE CROSSING NEAR A PARALLEL STREET



#### TWO-WAY

#### TWO-WAY WITH MEDIAN

#### ONE-WAY

**SIGNS**

 1 W10-1 36" Dia.	 2 W10-2L 36" X 36"	 3 W10-2R 36" X 36"	 IF NEEDED W10-5 36" X 36"  W10-5P 30" X 24"
 5 R8-8 24" X 30"	 6 W3-1 30" X 30"	 7 R1-1 36" X 36" R1-3P 18" X 6"	 R15-1 48" X 9"  R15-2P 27" X 18"  R1-1 36" X 36"
 R15-1 48" X 9"  R15-2P 27" X 18"  9 R1-2 48" X 48" X 48"	 R15-1 48" X 9"  R15-2P 27" X 18"  10 W10-13P 30" X 24"	 W10-1 36" Dia.  NO GATES OR LIGHTS W10-13P 30" X 24" 11 **	 12 I-13 15" X 9" REPORT EMERGENCY OR PROBLEM 1-800-555-5555 CROSSING 836 597 H Sign may be placed perpend. to travel lanes.

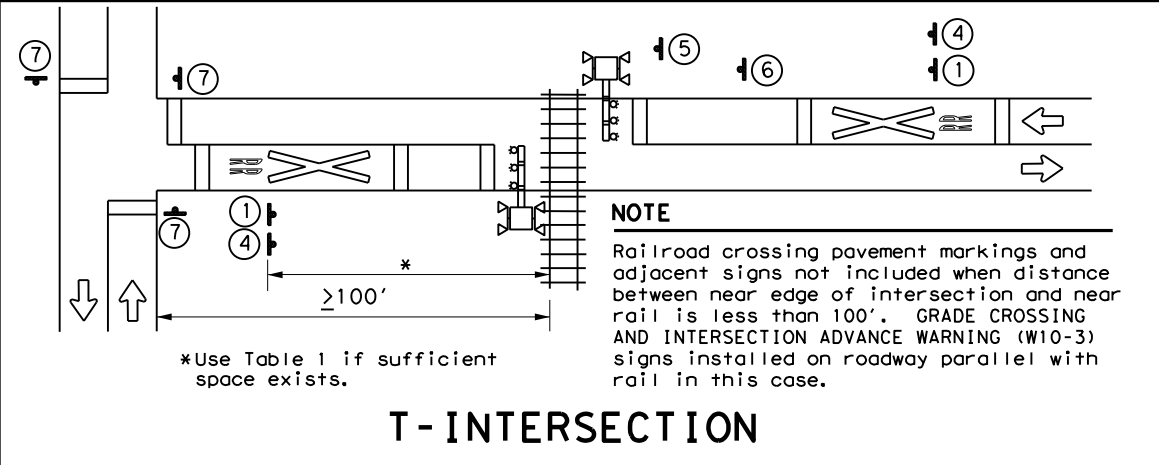
IF NEEDED: 5

IF NEEDED: 9

IF NEEDED: 13 W3-2 30" X 30"

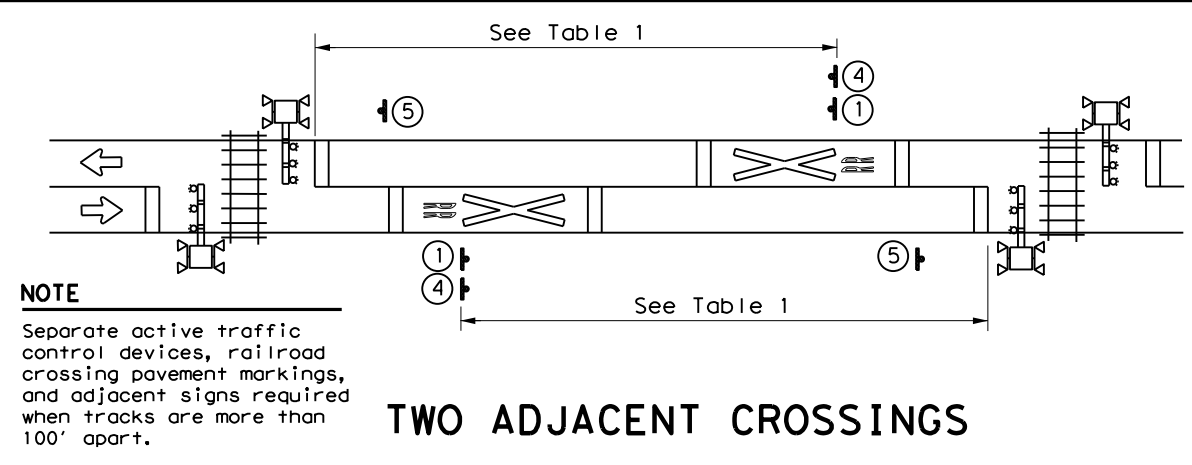
\*\* Includes a NO TRAIN HORN (W10-9P) plaque if crossing is in a Quiet Zone. If needed, is mounted below W10-2/W10-3/W10-4 signs.

W10-9P 30" X 24"



**NOTE**  
 Railroad crossing pavement markings and adjacent signs not included when distance between near edge of intersection and near rail is less than 100'. GRADE CROSSING AND INTERSECTION ADVANCE WARNING (W10-3) signs installed on roadway parallel with rail in this case.

### T-INTERSECTION



**NOTE**  
 Separate active traffic control devices, railroad crossing pavement markings, and adjacent signs required when tracks are more than 100' apart.

### TWO ADJACENT CROSSINGS

Texas Department of Transportation Traffic Safety Division Standard

## RAILROAD CROSSING DETAILS SIGNING & STRIPING

### RCD(2) - 22

FILE: rcd2-22.dgn	DN: TxDOT	CK: TxDOT	DW: TxDOT	CK: TxDOT
©TxDOT November 2022	CONT	SECT	JOB	HIGHWAY
2-16	REVISIONS		DIST	COUNTY
11-22				SHEET NO.