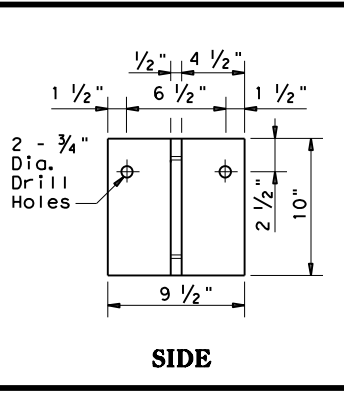
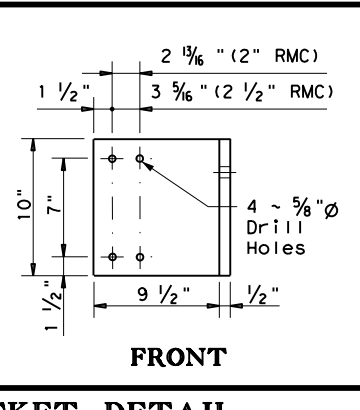
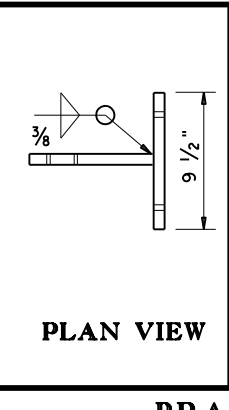
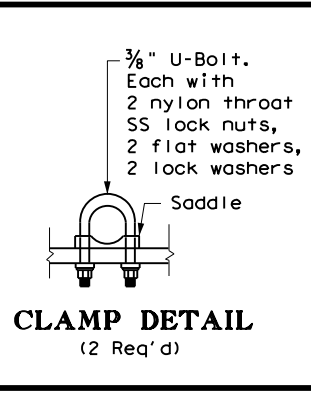
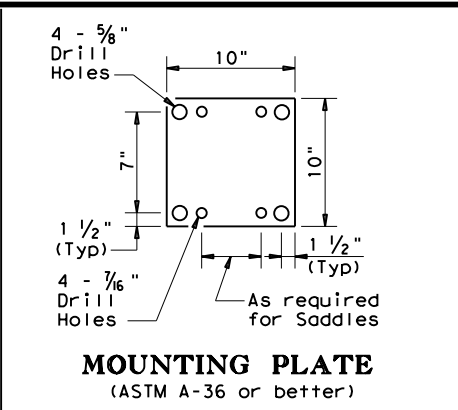
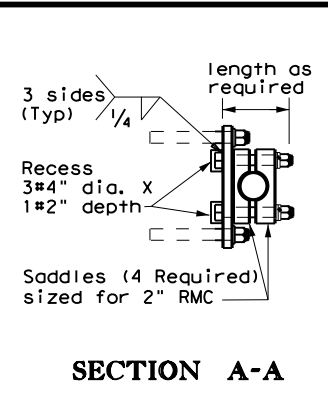
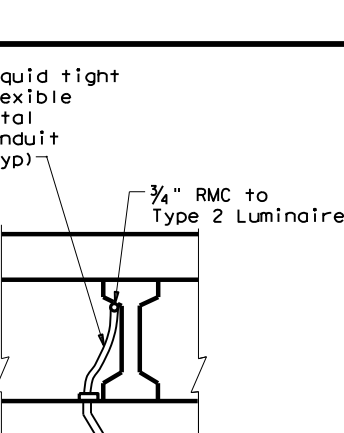
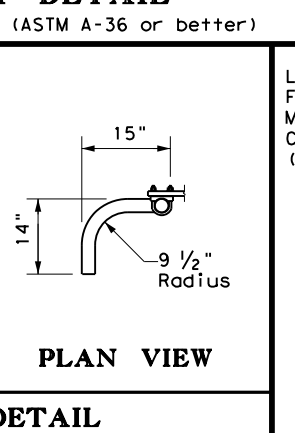
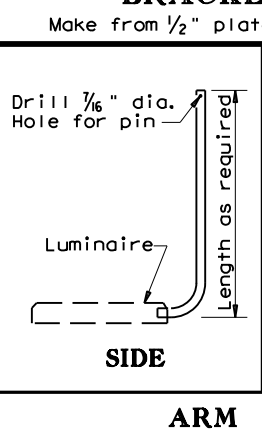
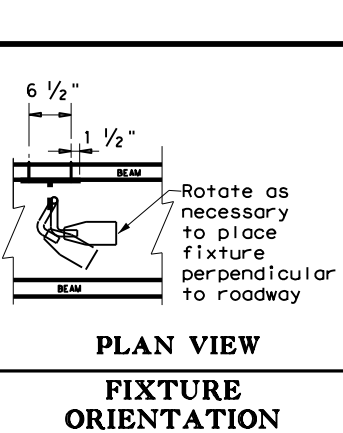
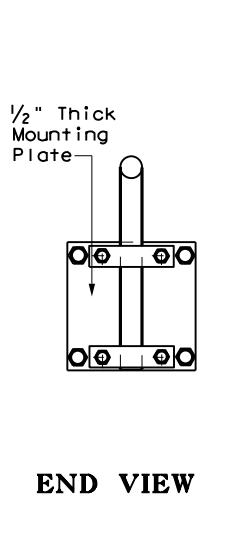
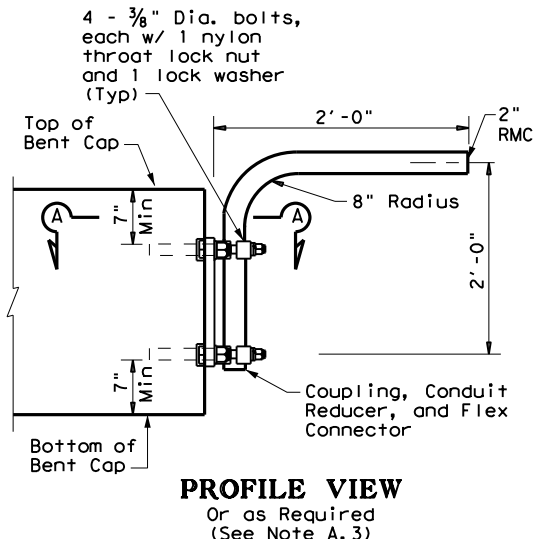


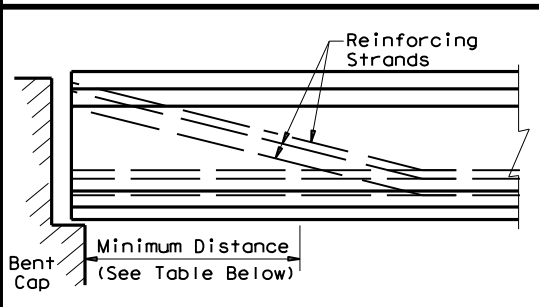
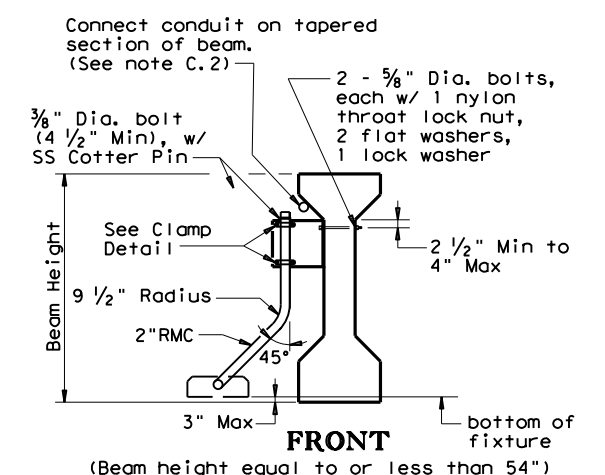
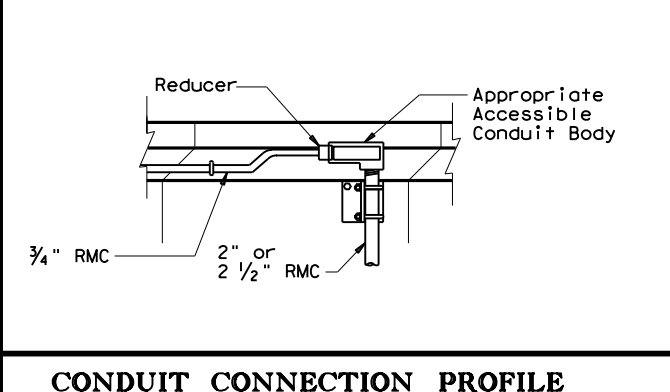
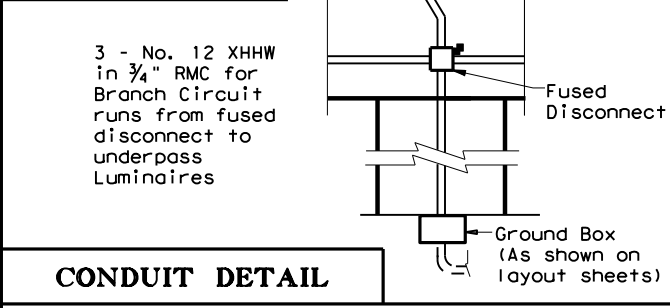
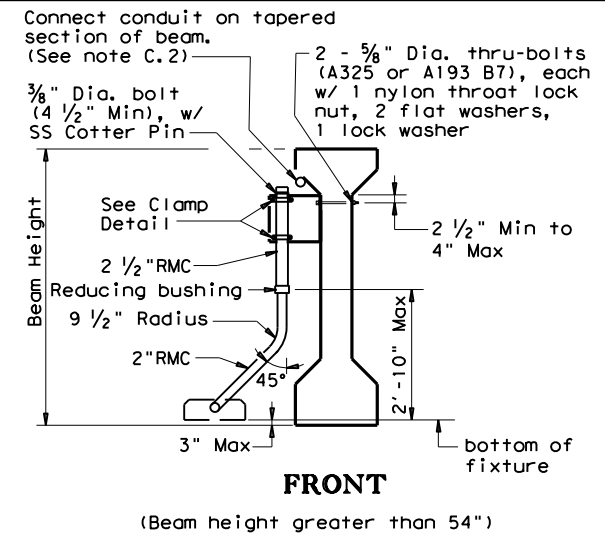
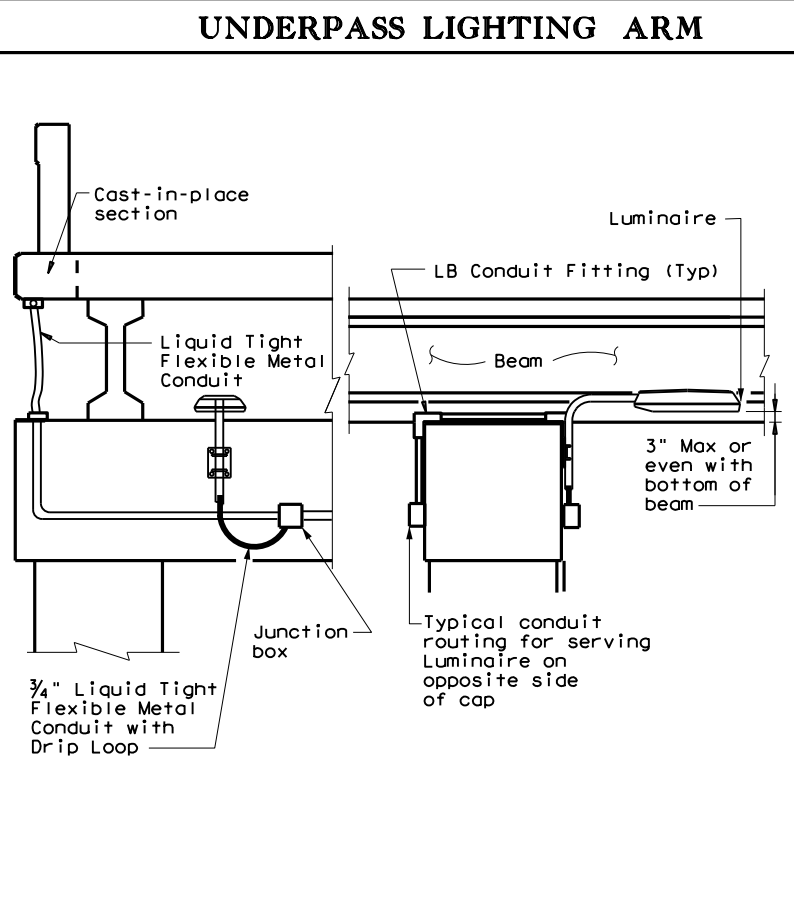
DISCLAIMER: The use of this standard is governed by the "Texas Engineering Practice Act". No warranty of any kind is made by TxDOT for any purpose whatsoever. TxDOT assumes no responsibility for the conversion of this standard to other formats or for incorrect results or damages resulting from its use.



- GENERAL NOTES:**
- A. ALL 150 watt HPS and 150 watt equivalent LED Luminaires**
- Luminaire locations, conduit and conductor sizes and routing are typical and diagrammatic only. See project layout sheets for specific details.
 - Conduit will be paid for under Item 618, "Conduit" and conductors will be paid for under Item 620, "Electrical Conductors," unless otherwise shown on the plans.
 - Adjust conduit in saddles to place fixture height and orientation as required. See fixture orientation detail and plans. Where practicable, place luminaires so the bottom of luminaire is above the bottom of the beam, maximum of 3 in. (See detail UNDERPASS LIGHTING ARM TYPE 2)
 - Except as noted, galvanize all structural steel and exposed bolts, nuts, and washers in accordance with Item 445 "Galvanizing".
 - Fabrication of brackets and support arms will not be paid for directly but is subsidiary to Item 610, "Roadway Illumination Assemblies."
 - Install a heavy duty NEMA 3R fused disconnect or breaker enclosure rated at 30 amps and 480 volts to switch underpass luminaires as shown on plans, with at least one per bridge circuit. Install 20 amp time-delay fuses or inverse-time circuit breakers. Mount disconnect or breaker enclosure 10 ft. (min) above grade on columns or bent caps as approved by the Department. Modify disconnect to allow padlocking in the "ON" and "OFF" positions. Padlocks and disconnect switches or circuit breakers for underpass fixtures will not be paid for directly but are subsidiary to the various bid items of the contract.
 - Conduit on columns, caps, and slab is shown surface mounted. For new columns and caps, embed PVC conduit in concrete. Bond and ground metal junction boxes and conduit.



- B. TYPE 1**
- Provide 2 in. rigid metal conduit (2.375" O.D., 0.146" wall) for Type 1 arm shaft.
 - Use 3/8 in. stainless steel bolt or stud non-epoxy type expansion anchors for concrete for Type 1 mounting. Except as noted, provide an allowable 2650 lbs minimum pull-out force (after consideration of adjustment factors for edge distance and bolt spacing) for each anchor. Install each anchor to the embedment depth recommended by the manufacturer.
 - Attach conduit to plate with 4 saddles, four - 3/8 in. diameter bolts, nylon throat lock nuts, and lock washers.
- C. TYPE 2**
- Provide 2 in. rigid metal conduit (2.375" O.D., 0.146" wall) or provide a combination of 2 1/2 in. (2.875" O.D., 0.193" wall) and 2 in. (2.375" O.D., 0.146" wall) rigid metal conduits with a reducing bushing as beam height stipulated for Type 2 arm shaft. Field cutting and threading will be permitted. Paint cut and threaded areas with zinc rich paint after conduit is connected to adjacent fitting.
 - Connecting conduit may be strapped to tapered section only of precast beams as shown. Anchor as approved by the Engineer. Maximum anchor depth is 1 in.
 - Indiscriminate drilling into precast concrete beams may result in reduced beam strength. Use drilling location and method as directed by the Engineer. See Location of Underpass Lighting Mounting Bracket detail. The locations shown in the table are such that reinforcing strands will not be damaged.



SPAN LENGTH	MINIMUM DISTANCE
≤ 50'	10'-0"
50' - 70'	15'-0"
70' - 90'	20'-0"
> 90'	25'-0"

Texas Department of Transportation
Traffic Safety Division Standard

ROADWAY ILLUMINATION DETAILS (UNDERPASS LIGHT FIXTURES)

RID(3)-20

IN RD IL AM (U/P)(TY 1)
If bridge has pre-cast panels under deck, run circuit under deck edge.

UNDERPASS LIGHTING TYPE 1

IN RD IL AM (U/P)(TY 2)

UNDERPASS LIGHTING TYPE 2

LOCATION OF UNDERPASS LIGHT MOUNTING BRACKET

FILE: rid3-20.dgn DWN: TxDOT CK: TxDOT DW: TxDOT CK: TxDOT
 © TxDOT May 2013 CONT SECT JOB HIGHWAY
 REVISIONS
 2-14
 7-17
 12-20
 72C

DATE: FILE: