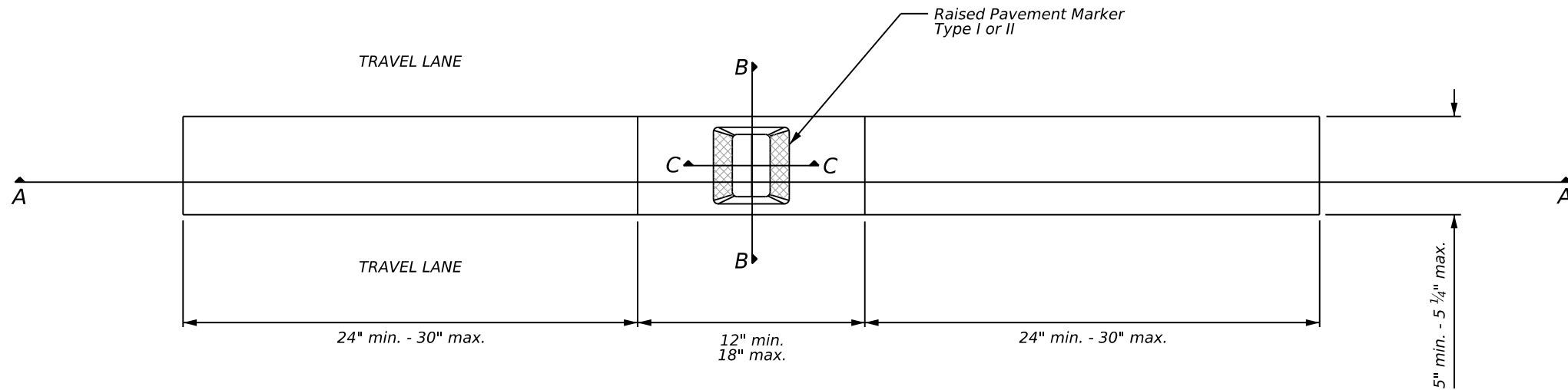
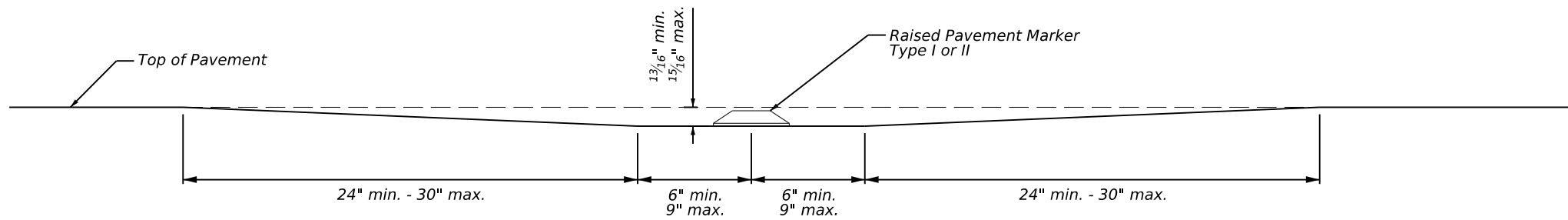


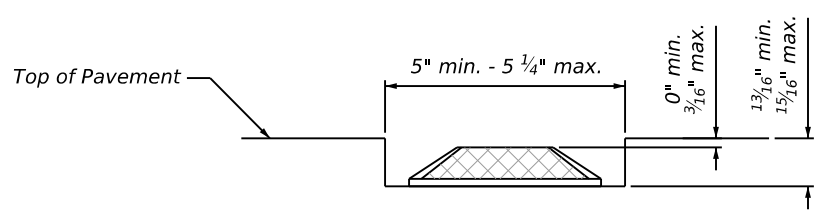
PLAN VIEW



PROFILE VIEW SECTION A-A



SIDE VIEW SECTION B-B



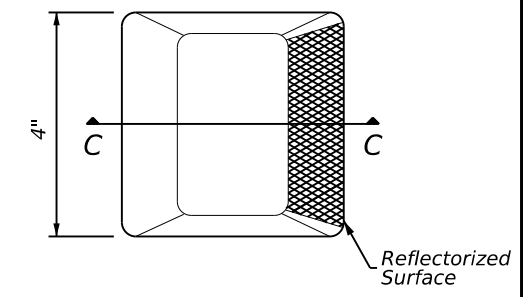
GENERAL NOTES:

1. Recessed raised pavement markers may be used in areas where snow plows or similar equipment are in regular use.
2. Depth and width of groove may be adjusted slightly to fit physical dimensions of marker selected, if approved in advance by the engineer.

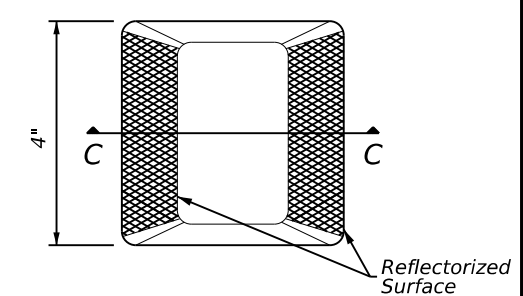
DEPARTMENTAL MATERIAL SPECIFICATIONS	
Pavement Markers (Reflectorized)	DMS-4200
Epoxies and Adhesives	DMS-6100
Bituminous Adhesive for Pavement Markers	DMS-6130

RAISED PAVEMENT MARKERS

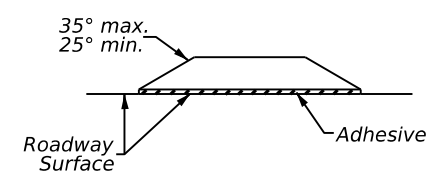
TYPE I TOP VIEW



TYPE II TOP VIEW



SECTION C-C (SIDE VIEW)



RECESSED [REFLECTORIZED] RAISED PAVEMENT MARKERS RRPM-24

FILE: rrpm-24.dgn	DN: TxDOT	CK: TxDOT	DW: TxDOT	CK: TxDOT
© TxDOT	August 2024	CONT	SECT	JOB
REVISIONS		DIST	COUNTY	SHEET NO.

DISCLAIMER: The use of this standard is governed by the "Texas Engineering Practice Act". No warranty of any kind is made by TxDOT for any purpose whatsoever. TxDOT assumes no responsibility for the conversion of this standard to other formats or for incorrect results or damages resulting from its use.

DATE: FILE: