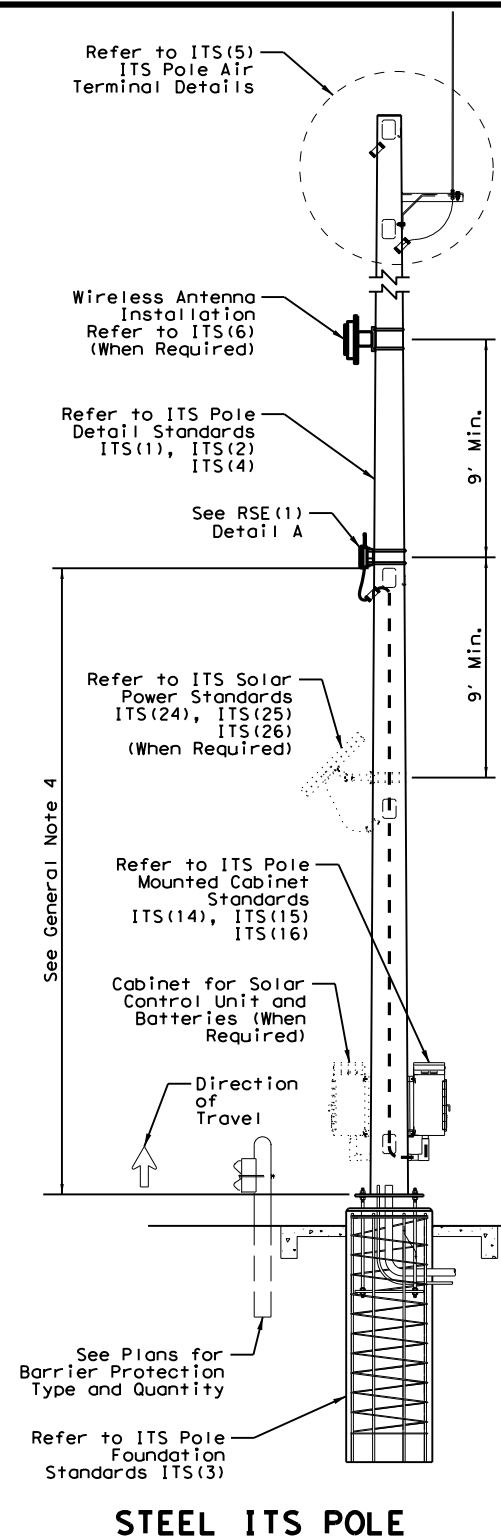
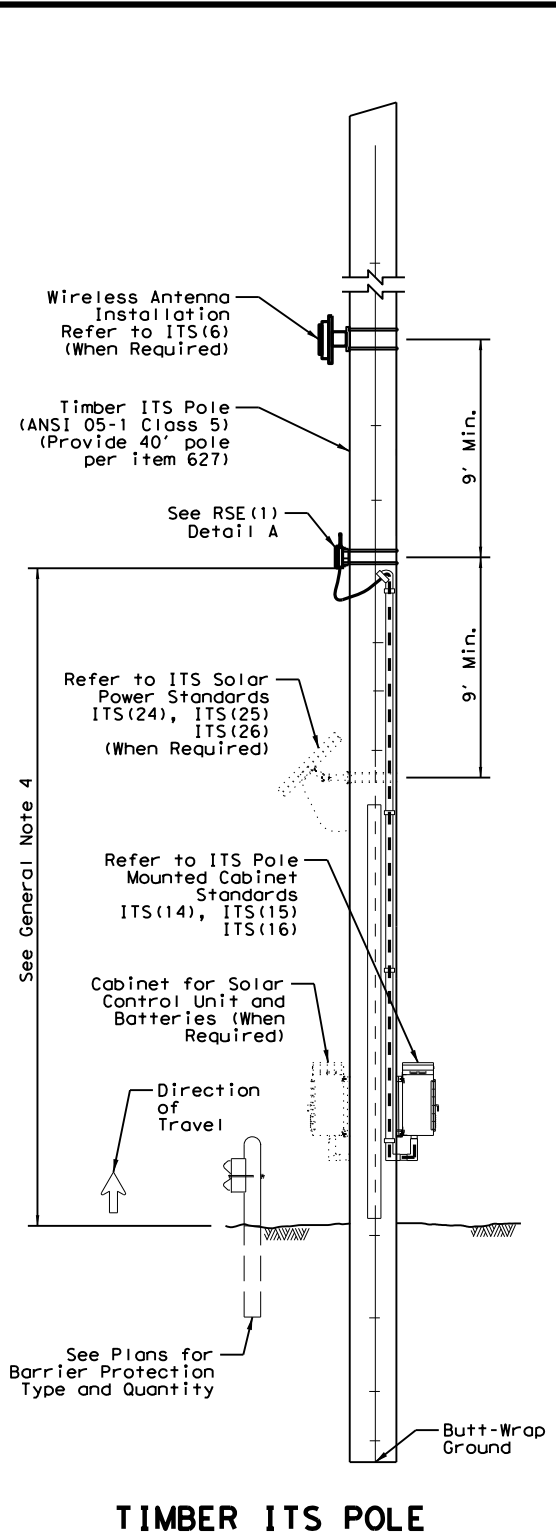


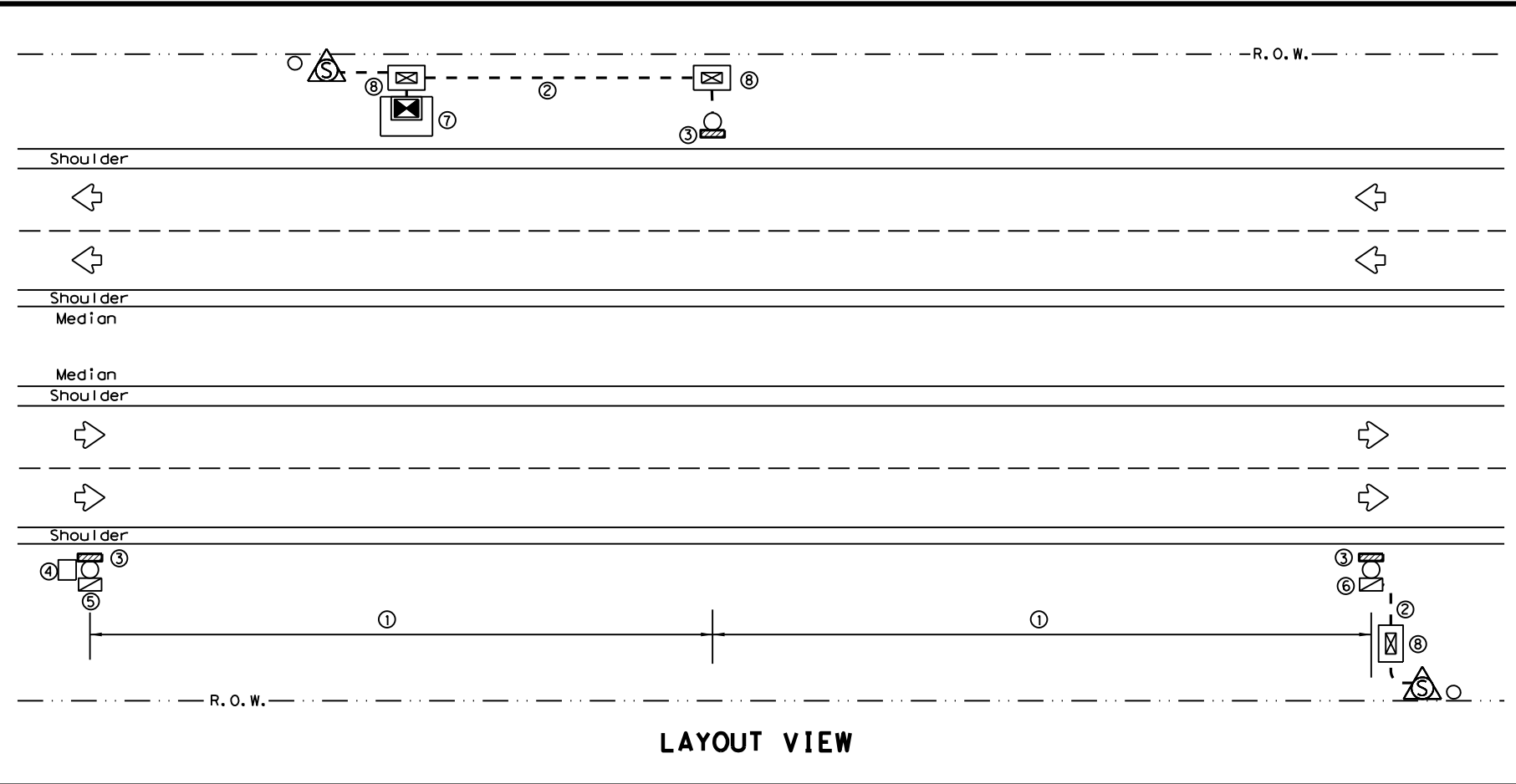
DISCLAIMER: The use of this standard is governed by the "Texas Engineering Practice Act". No warranty of any kind is made by TxDOT for any purpose whatsoever. TxDOT assumes no responsibility for the conversion of this standard to other formats or for incorrect results or damages resulting from its use.



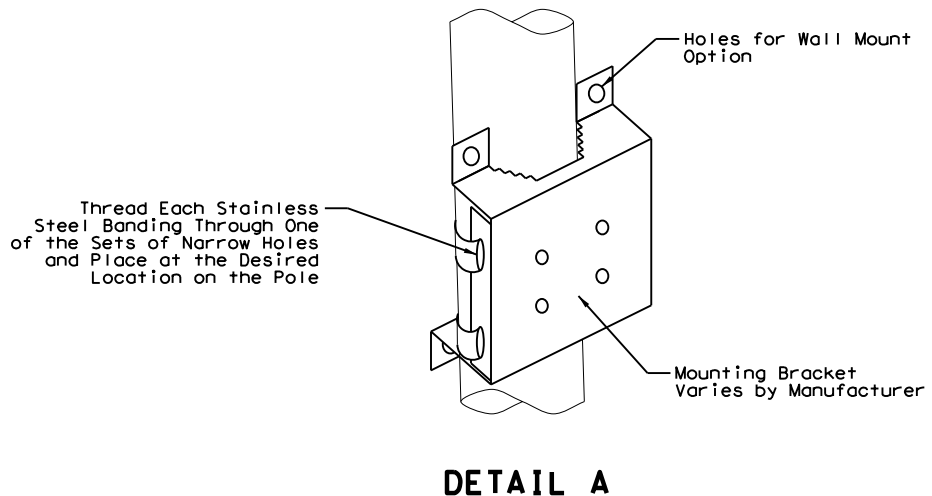
STEEL ITS POLE



TIMBER ITS POLE



LAYOUT VIEW



DETAIL A

GENERAL NOTES:

1. Mounting bracket(s), extension arms, antennas, cabling and PoE injector are incidental to the roadside unit. All items not listed, shown, or otherwise noted, but necessary for a complete installation, are paid for under other items.
2. Drawings are intended to be a general guideline for roadside unit placement and are illustrative only. Actual site conditions may vary.
3. All existing equipment is to remain operational when installing at an existing ITS site.
4. Height of the roadside unit shall not exceed 26 feet. Refer to manufacturer recommendations for optimum mounting height.

REFERENCE KEY NOTES:

- ① Recommended maximum spacing between units is 1,000 ft. Minimum spacing and number of units to cover area is dependent on the results of V2X radio frequency study.
- ② If cable length greater than 328 feet, use mid-span injector located at ground box or pole base to extend cable. See plans for conduit type, size, location, and quantity.
- ③ Roadside unit placement is illustrative only. Refer to manufacturer recommendations for ideal placement with respect to the roadway surface and coverage zone. Distance of ITS pole from edge of pavement must be 6.5 ft minimum. Recommendation is to use a pole extension bracket arm to place roadside unit closer to roadway if existing ITS pole is more than 6.5 ft away from edge of pavement. Mount roadside unit at least 9 ft minimum away from other devices if collocating on same pole.
- ④ Refer to Standard ITS(24), ITS(25), and ITS (26) for solar power details.
- ⑤ 12 VDC ITS pole cabinet with solar power option. Refer to Standards RSE(1), ITS(14), ITS(15), ITS(16), and ITS(17).
- ⑥ 120 VAC ITS pole cabinet with conventional power option. Refer to Standards RSE(1), ITS(14), ITS(15), ITS(16), and ITS(17).
- ⑦ 120 VAC ITS ground mounted cabinet with conventional power option. Refer to Standards RSE(1), ITS(20), ITS(21) and ITS(23).
- ⑧ Refer to Standards ITS(37) and ITS(38) or ITS(39) and ITS(40) for ground box details. See plans for ground box size, type, and location.



**ROADSIDE EQUIPMENT
ITS POLE
INSTALLATIONS
(ACCESS CONTROLLED)
RSE (3) - 21**

FILE: rse(3)-21.dgn	DN: TxDOT	CK: TxDOT	DW: TxDOT	CK: TxDOT
© TxDOT January 2021	CONT	SECT	JOB	HIGHWAY
REVISIONS				
	DIST	COUNTY	SHEET NO.	

DATE:
FILE: