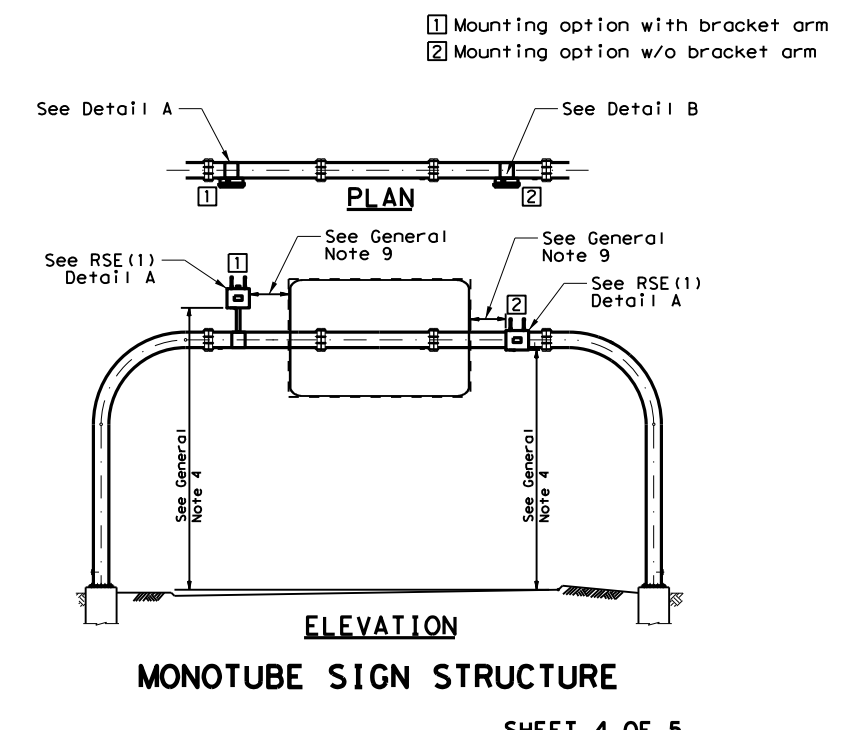
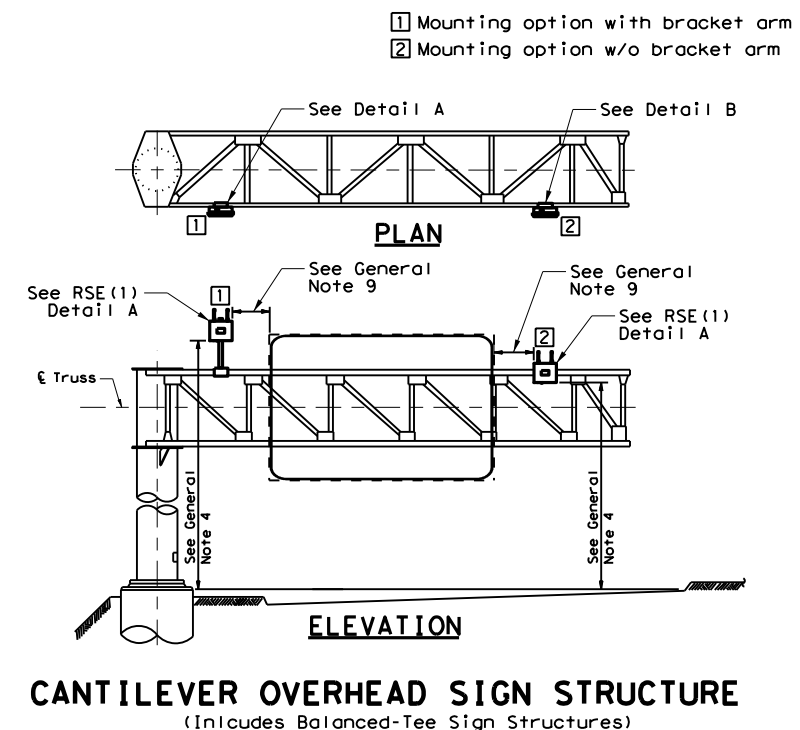
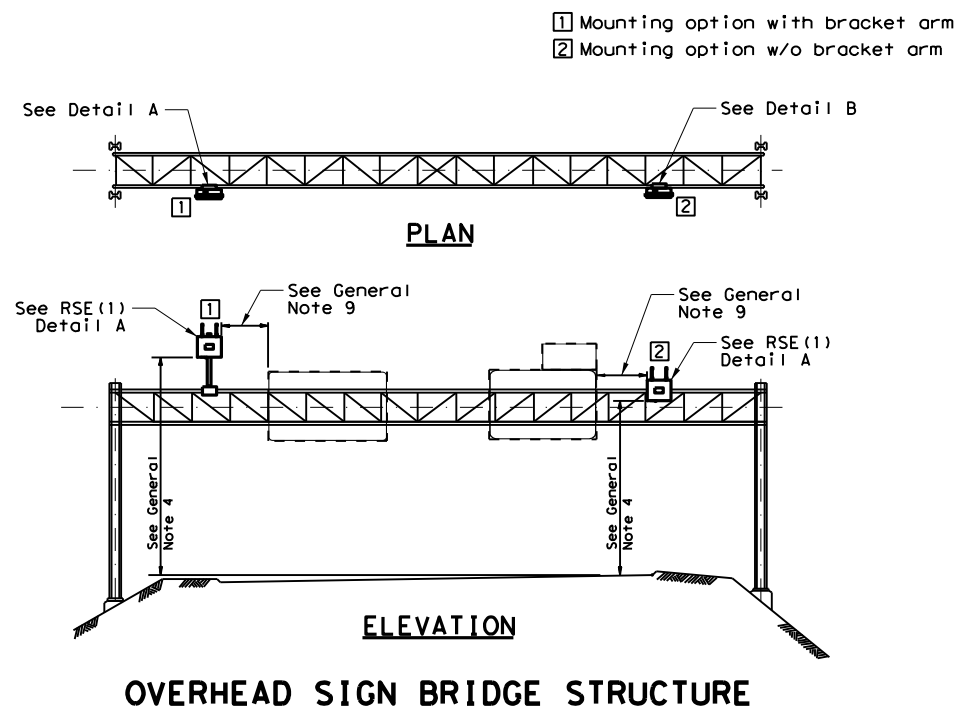
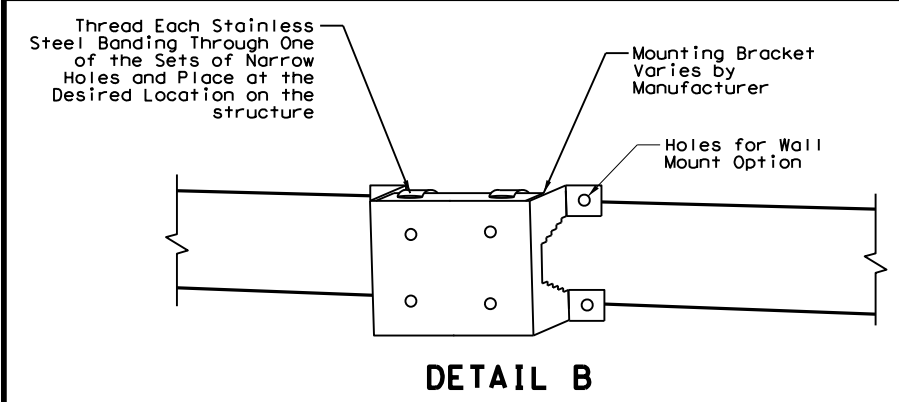
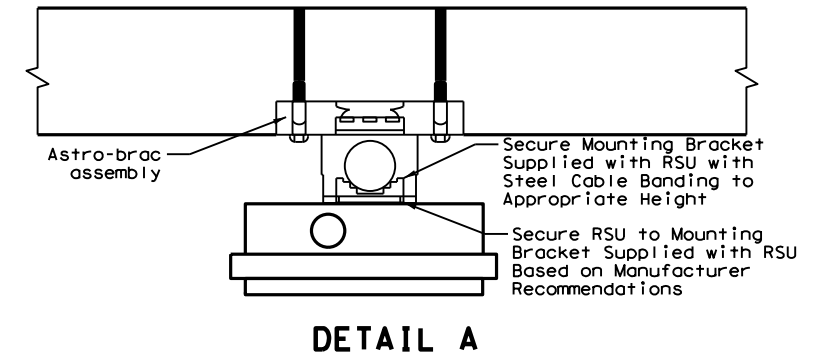
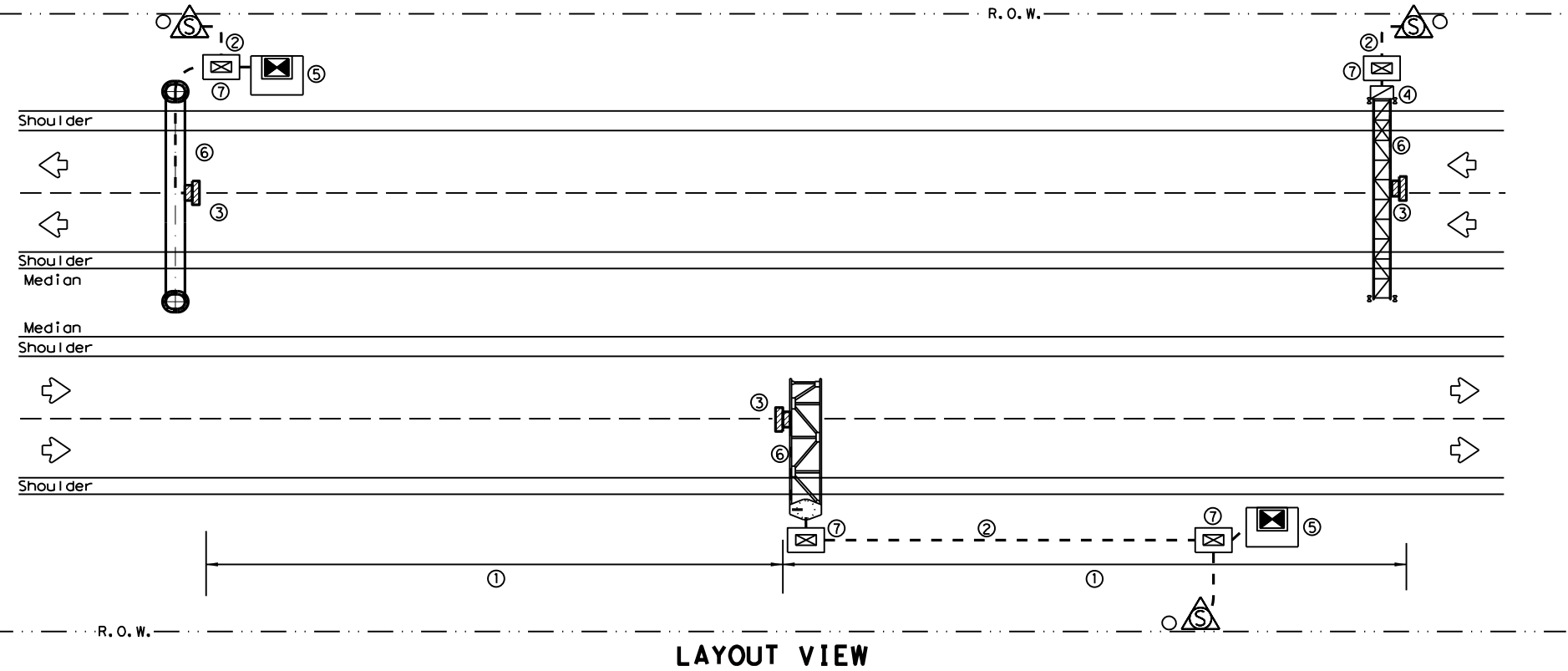


DISCLAIMER: The use of this standard is governed by the "Texas Engineering Practice Act". No warranty of any kind is made by TxDOT for any purpose whatsoever. TxDOT assumes no responsibility for the conversion of this standard to other formats or for incorrect results or damages resulting from its use.



GENERAL NOTES:

1. Mounting bracket(s), extension arms, antennas, cabling and PoE injector are incidental to the roadside unit. All items not listed, shown, or otherwise noted, but necessary for a complete installation, are paid for under other items.
2. Drawings are intended to be a general guideline for roadside unit placement and are illustrative only. Actual site conditions may vary.
3. All existing equipment is to remain operational.
4. Height of the roadside unit shall not exceed 26 feet. Refer to manufacturer recommendations for minimum height.
5. Roadside unit equipment, mounting options, and capabilities vary by manufacturer.
6. Refer to the manufacturer installation instructions regarding proper placement of Dedicated Short Range Communications antennas. Antennas for additional capabilities (e.g. Cellular-Vehicle-To-Everything, Wi-Fi) varies by manufacturer. Weatherproof antennas and cable entry points according to manufacturer instructions.
7. Global Navigation Satellite System (GNSS) Antenna design varies by manufacturer. Install according to manufacturer instructions.

8. Attach ethernet cable with coupler according to manufacturer instructions.

9. Maintain 12" minimum separation between RSU and existing signage.

REFERENCE KEY NOTES:

- 1 Recommended maximum spacing between units is 1,000 ft. minimum spacing and number of units to cover area is dependent on the results of V2X radio frequency study.
- 2 If cable length greater than 328 feet, use mid-span injector located at ground box or pole base to extend cable. See plans for conduit type, size, location, and quantity.
- 3 Roadside unit placement is illustrative only. Refer to manufacturer recommendations for ideal location over roadway. Mount roadside unit at least 9 ft minimum away from other devices if collocating.
- 4 120 VAC overhead sign bridge cabinet with conventional power option. Refer to Standards RSE(1) and ITS(14), ITS(15), or ITS(16) for cabinet size and type. Refer to Standard ITS(17) for cabinet mounting details.
- 5 120 VAC ITS ground cabinet with conventional power option. Refer to Standards RSE(1) and ITS(20), ITS(21), and ITS(23).
- 6 Roadside unit cable is to be routed through structure leg. Refer to Standards ITS(8), ITS(10), or ITS(12).
- 7 Refer to Standards ITS(37) and ITS(38) or ITS(39) and ITS(40) for ground box details. See plans for ground box size, type, and location.

SHEET 4 OF 5

Texas Department of Transportation

Traffic Safety Division Standard

**ROADSIDE EQUIPMENT
OSB-COSS-MS
INSTALLATIONS
(ACCESS CONTROLLED)
RSE (4) - 21**

FILE: rse (4) -21.dgn	DN: TxDOT	CK: TxDOT	DW: TxDOT	CK: TxDOT
© TxDOT January 2021	CONT	SECT	JOB	HIGHWAY
REVISIONS				
DIST	COUNTY		SHEET NO.	

DATE:
FILE: