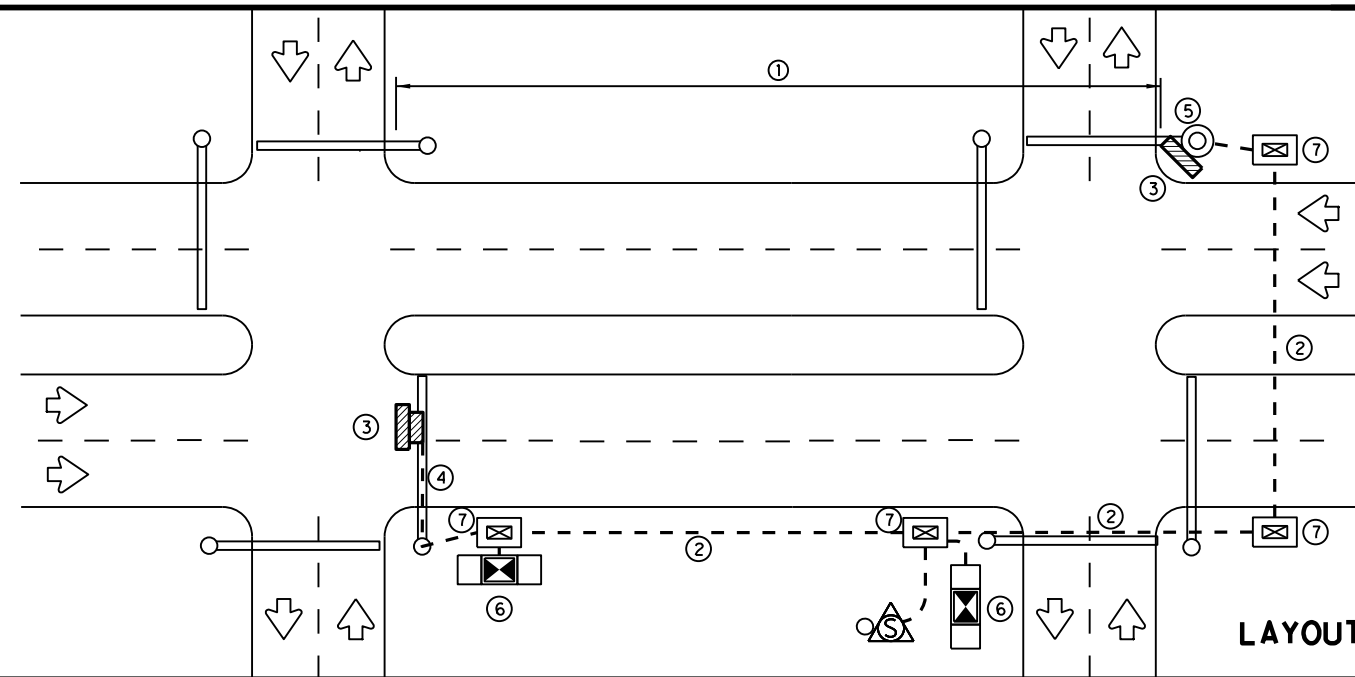
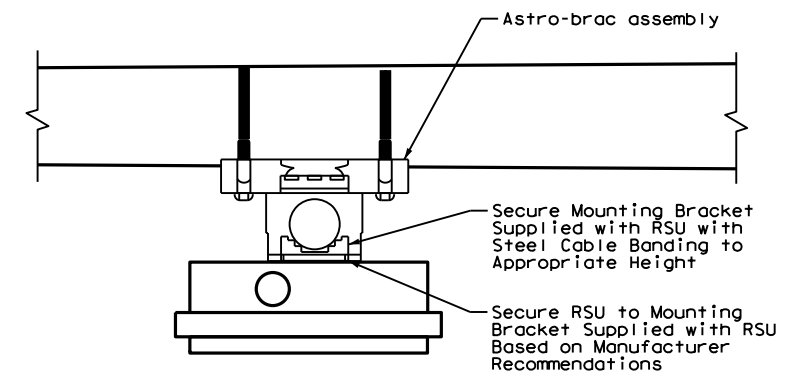


DISCLAIMER: The use of this standard is governed by the "Texas Engineering Practice Act". No warranty of any kind is made by TxDOT for any purpose whatsoever. TxDOT assumes no responsibility for the conversion of this standard to other formats or for incorrect results or damages resulting from its use.

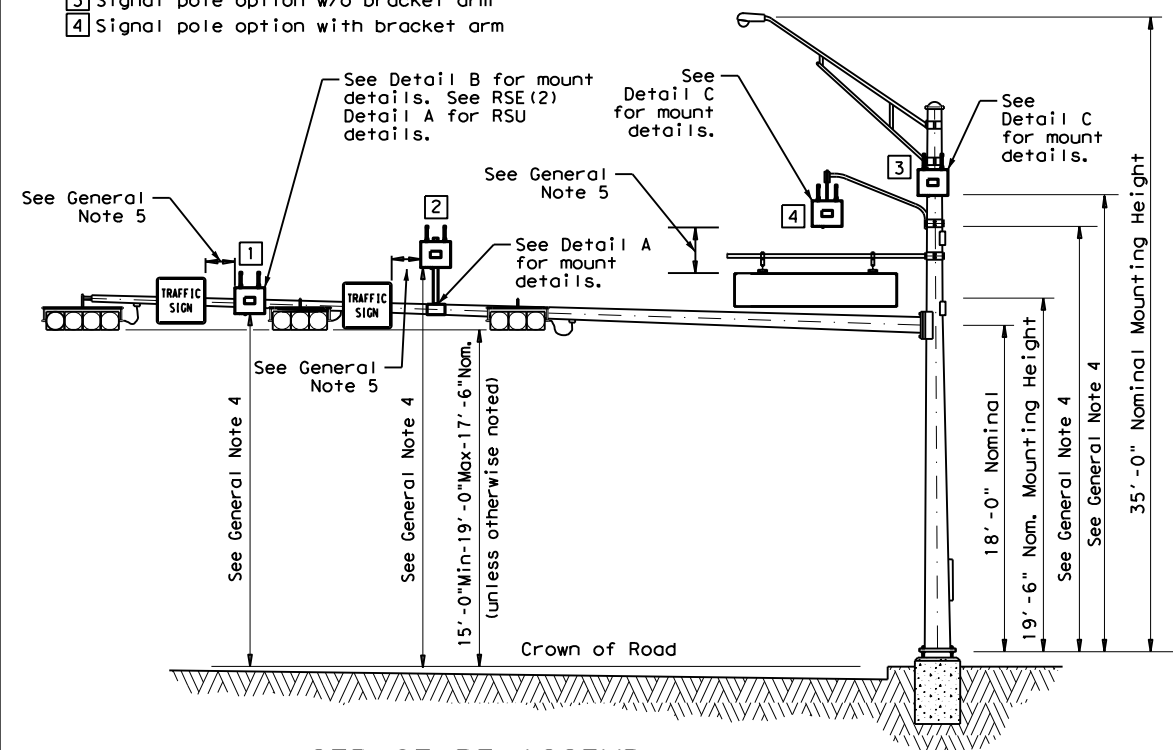


LAYOUT DETAIL

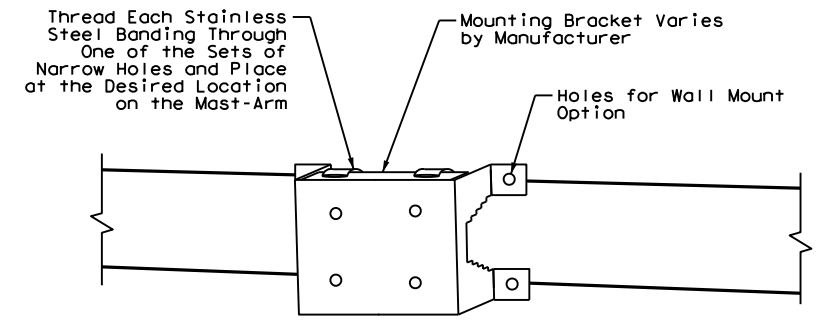


DETAIL A

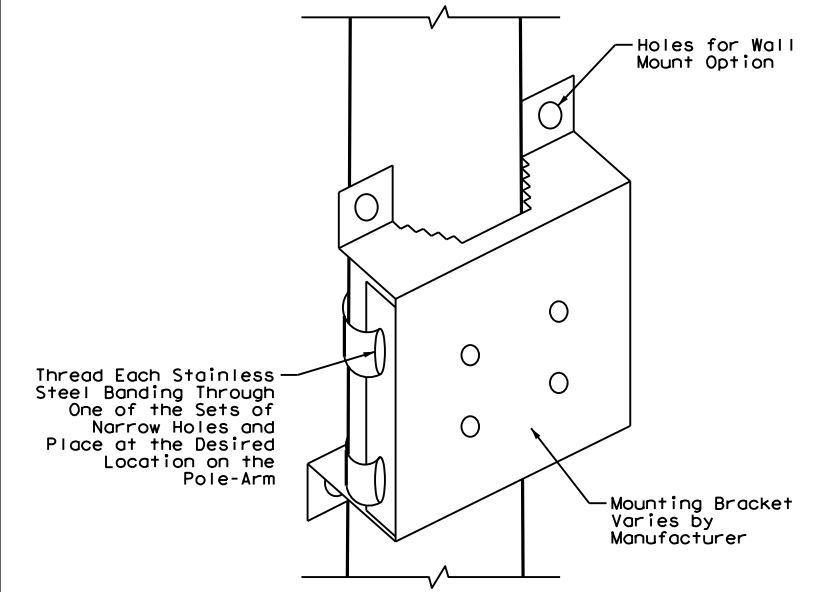
- 1 Mast-arm option w/o bracket arm
- 2 Mast-arm option with bracket arm
- 3 Signal pole option w/o bracket arm
- 4 Signal pole option with bracket arm



STRUCTURE ASSEMBLY



DETAIL B



DETAIL C


SHEET 5 OF 5


**GENERAL NOTES:**

1. Mounting bracket(s), extension arms, antennas, cabling and PoE injector are incidental to the roadside unit. All items not listed, shown, or otherwise noted, but necessary for a complete installation, are paid for under other items.
2. Drawings are intended to be a general guideline for roadside unit placement and are illustrative only. Actual site conditions may vary.
3. All existing equipment is to remain operational.
4. Height of the roadside unit shall not exceed 26 feet. Refer to manufacturer recommendations for minimum height.
5. Maintain 12" minimum separation between RSU and existing signage.

**REFERENCE KEY NOTES:**

- ① Spacing and number of units to cover area is dependent on the results of V2X radio frequency study.
- ② If cable length greater than 328 feet, use mid-span injector located at ground box or pole base to extend cable. See plans for conduit type, size, location, and quantity.
- ③ Roadside unit placement is illustrative only. Refer to manufacturer recommendations for ideal location at intersection.
- ④ Follow manufacturer recommendations for roadside unit mounting distance away from mast arm. Mount roadside unit at least 9 ft minimum away from other devices if collocating.
- ⑤ Follow manufacturer recommendations for roadside unit mounting distance away from signal pole. Mount roadside unit at least 9 ft minimum away from other devices if collocating.
- ⑥ 120/240 VAC traffic cabinet with conventional power. Refer to standard RSE(2), ITS(20) and ITS(23).
- ⑦ Refer to standards ITS(37) and ITS(38) or ITS(39) and ITS(40) for ground box details. See plans for ground box size, type, and location.


  
 Texas Department of Transportation


  
 Traffic Safety Division Standard

**ROADSIDE EQUIPMENT  
 TRAFFIC SIGNAL POLE &  
 MAST ARM INSTALLATIONS  
 (NON-ACCESS CONTROLLED)  
 RSE (5) - 21**

FILE: rse(5)-21.dgn	DN: TxDOT	CK: TxDOT	DW: TxDOT	CK: TxDOT
© TxDOT January 2021	CONT	SECT	JOB	HIGHWAY
REVISIONS				
	DIST	COUNTY	SHEET NO.	

DATE:  
FILE: