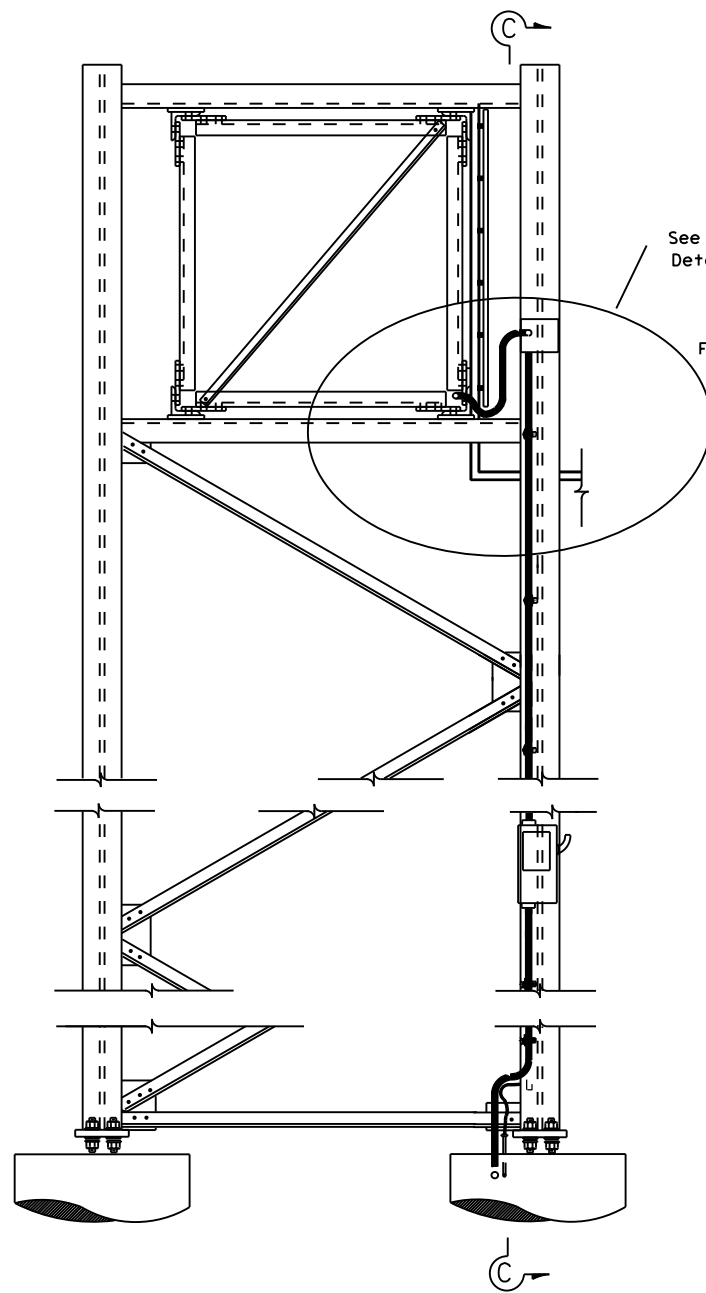
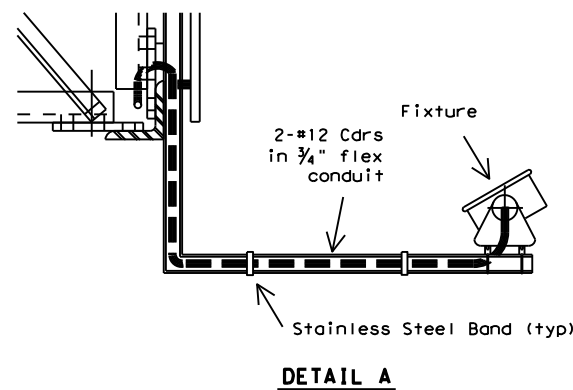


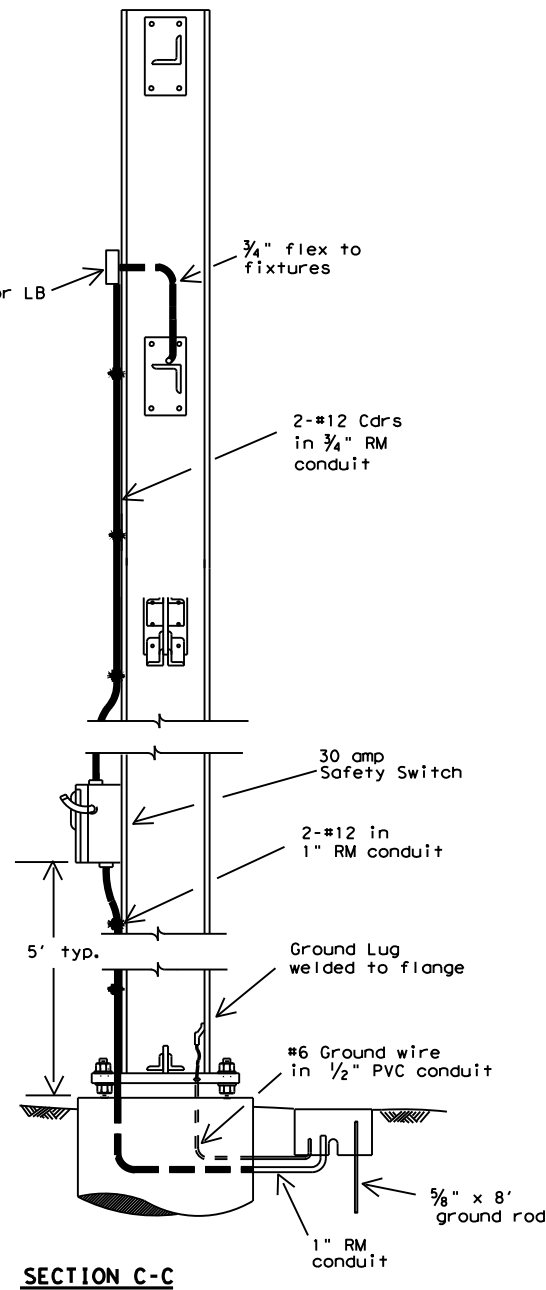
DISCLAIMER: The use of this standard is governed by the "Texas Engineering Practice Act". No warranty of any kind is made by TxDOT for any purpose whatsoever. TxDOT assumes no responsibility for the conversion of this standard to other formats or for incorrect results or damages resulting from its use.



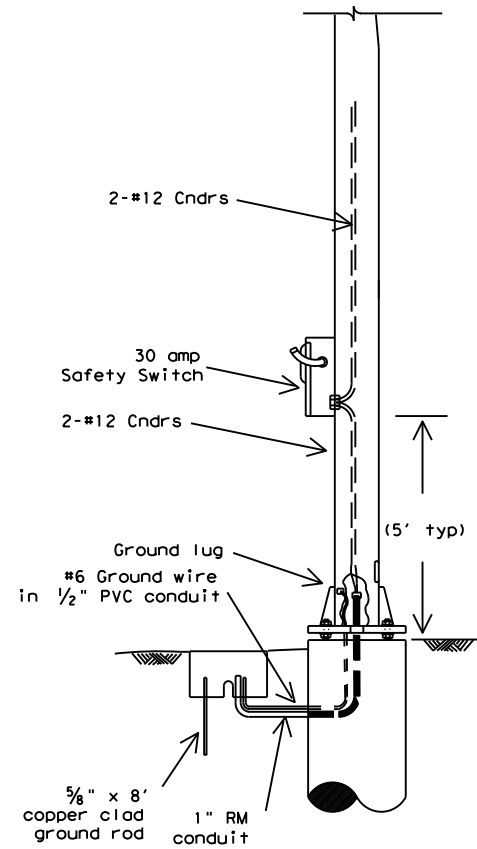
**TYPICAL ELECTRICAL DETAILS  
OVERHEAD SIGN BRIDGE**



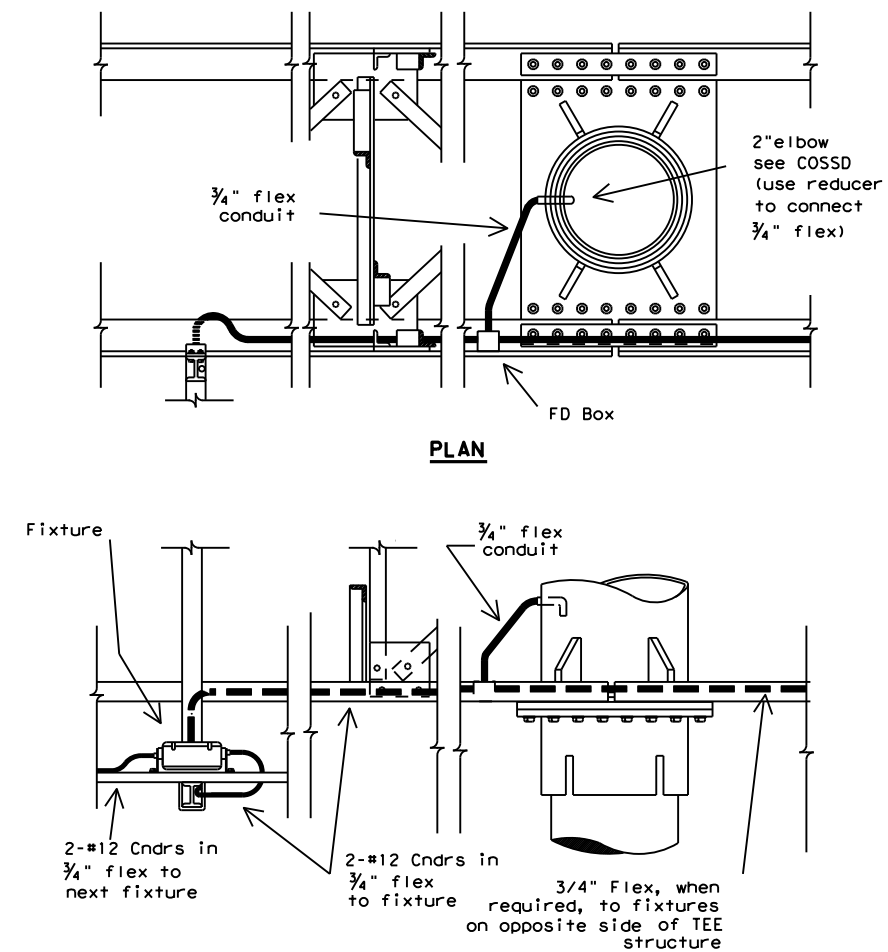
**DETAIL A**



**SECTION C-C**



**TYPICAL ELECTRICAL DETAILS  
SIGN STRUCTURE**



**ELEVATION**

**NOTES:**

1. See OSBT and COSSF for additional foundation details.
2. Furnish and install grounding lugs on sign structures as shown.
3. Safety switch shall be a 30 amp 240, 480, or 600 volt, as required. Fusible safety switch shall be in a NEMA 3R enclosure and shall be heavy duty. DO NOT switch the grounded conductor. Install 20 amp fuses.
4. Circuit conductors shall be two insulated conductors (Type XHHW).
5. Flex conduit shall be liquid-tight flexible metal conduit. All fittings shall be NEC and NEMA approved for outdoor use.
6. Ends of all rigid metal conduit not terminating in a threaded hub shall be fitted with a grounding bushing. Conduit (flex and rigid) shall be strapped to sign structures using stainless steel strapping or galvanized malleable iron conduit straps. The maximum spacing for straps shall be 5 feet for RMC and 3 feet for flexible conduit.
7. The No. 6 grounding conductor (bonding jumper) shall be continuous, without splice, from the sign structure to the ground rod and shall be run as straight as possible (do not coil wire). Connect the grounding conductor from the branch circuit to the No. 6 bonding jumper and to the conduit bushing in the ground box.
8. The Contractor shall modify safety switch to allow padlocking in the "ON" and in the "OFF" positions.
9. Unless otherwise shown on the plans, Safety switch will not be paid for directly but shall be subsidiary to Item 652, "Highway Sign Lighting Fixtures". Unless otherwise shown on the plans, Conduit, Conductor and miscellaneous items from ground box to sign lights will not be paid for separately but will be subsidiary to the various bid items.

**Texas Department of Transportation**  
Traffic Operations Division

**SIGN LIGHTING  
ELECTRICAL DETAILS**

**SL (1) -95**

© TxDOT January 1992	DN: TxDOT	CK: TxDOT	DW: TxDOT	CK: TxDOT
5-93 10-93 8-95	REVISIONS			
	CONT	SECT	JOB	HIGHWAY
	DIST	COUNTY	SHEET NO.	

DATE:  
FILE: